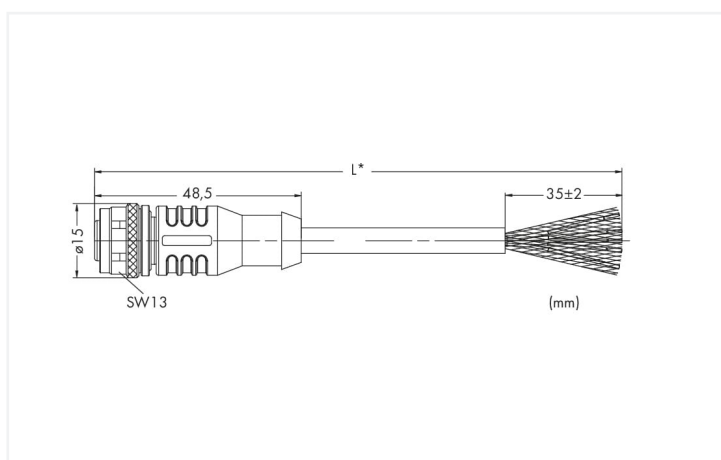
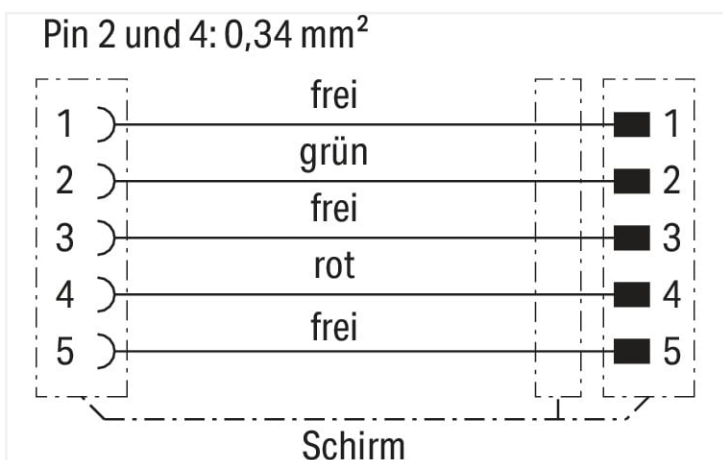


Color: ■ violet



Dimensions in mm

**Short description:**

- PUR, halogen-free
- Suitable for drag chains
- Silicon- and PVC-free
- High resistance to microbes, hydrolysis, oil, chemicals and UV radiation
- High chemical resistance

Technical data	
Connection type	M12 Socket - free end
Pole number	5
Cable connection direction to mating direction	0°
Connector interface coding (cable/adapter) 1 1	B-coded
Cable length	10 m
Communication/fieldbus	PROFIBUS
Operating voltage	≤ 300 V
Operating current	4 A
Rated surge voltage	2 kV
Insulation resistance	> 2500 MΩ/km
Conductor resistance	55 Ω/km (max.); Loop resistance: 110 Ω/km (max.)

### Mechanical data

Bending radius	> 10 x cable Ø (flexible use); > 5 x cable Ø in drag chain (fixed installation)
Bending cycles	1 million
Drag chain capability	Yes
Sheathed cable diameter	7.3 ... 7.9 mm
Type code	LI02YS-(ST)CB11Y 1X(2X0.34SQMM)
Shield	Shielding braid, (approx. 5.90 mm Ø), tinned CU-ETP1, coverage 85 % ± 5 %
Conductor configuration	Bare copper wire (19 x 0.15 mm)
Conductor insulation	PE (halogen-free); Filler: PP yarn
Housing material	TPU/TPU, black (~ RAL 9005)
Tightening torque	1 Nm
Weight	700 g
Color	violet

### Environmental requirements

Ambient (operating) temperature (dynamic)	-25 ... +60 °C
Ambient (operating) temperature (static)	-50 ... +80 °C
Protection type	IP67
Pollution degree	3/2 per IEC 60664-1
Fire load	0 MJ

### Commercial data

eCl@ss 10.0	27-06-18-01
eCl@ss 9.0	27-06-18-01
ETIM 8.0	EC002599
ETIM 7.0	EC003249
PU (SPU)	1 pcs
Packaging type	Box
Country of origin	DE
GTIN	4045454521523
Customs tariff number	85444290900
End of Sale	2024-05-01
End of Production	2024-05-15
End of Delivery	2024-06-01
End of Service and Repair	2025-06-01

### Environmental Product Compliance

CAS-No.	7439-92-1
REACH Candidate List Substance	Lead
RoHS Compliance Status	Compliant,With Exemption
RoHS Exemption	6(c)
SCIP notification number (Austria)	af1f7ad0-73c5-4852-b4df-a2867b3088e8
SCIP notification number (Belgium)	7c8e2f01-591c-478b-b515-2b5bca8fe9c3
SCIP notification number (Bulgaria)	d1014487-425b-40d9-85f2-d6287295d4b5
SCIP notification number (Czech Republic)	077dcd0b-0da2-4ed4-8187-0f50c0f19438
SCIP notification number (Denmark)	d4a83dee-6423-415a-ab26-a30d34fcf153
SCIP notification number (Finland)	762767f9-3062-4ad3-957b-7e72ec1b118a
SCIP notification number (France)	1c38db22-632f-419a-9365-9c9744418ff7
SCIP notification number (Germany)	371ab1c4-b632-4dc7-a3bb-4ca6055f9c8c
SCIP notification number (Hungary)	f8ed152c-44c2-4af5-98bb-b5ecc6ba2094
SCIP notification number (Italy)	83e96fc7-e3f1-4456-81b8-e2f19ddd7b80
SCIP notification number (Netherlands)	c80939f9-593c-47fb-9055-17efd739dbef
SCIP notification number (Poland)	53f7245e-def3-4649-a8aa-1d86a919dbc5
SCIP notification number (Romania)	74138cfb-9eee-4a97-86ba-25091f87ede8

### Environmental Product Compliance

SCIP notification number (Sweden)

9588fb1e-7453-445e-9383-4392aca0b06c

### Downloads

#### Environmental Product Compliance

##### Compliance Search

Environmental Product  
Compliance  
756-1101/060-100



### Documentation

#### System Description

I/O-SYSTEM – SPEED-  
WAY, General Product  
Information

pdf  
1035.20 KB



### CAD/CAE-Data

#### CAE data

WSCAD Universe  
756-1101/060-100

