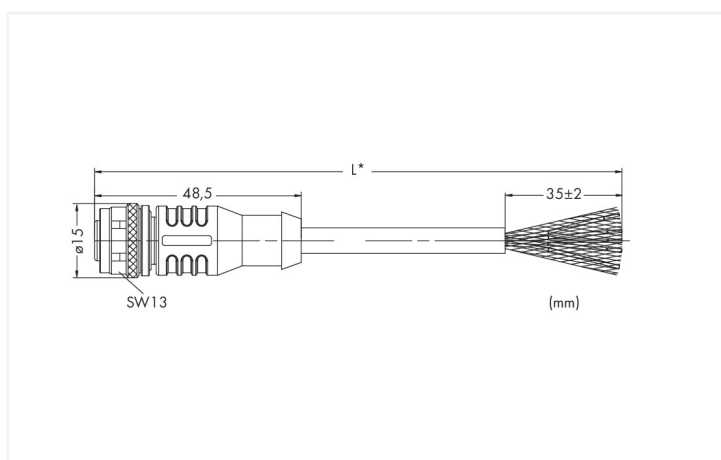
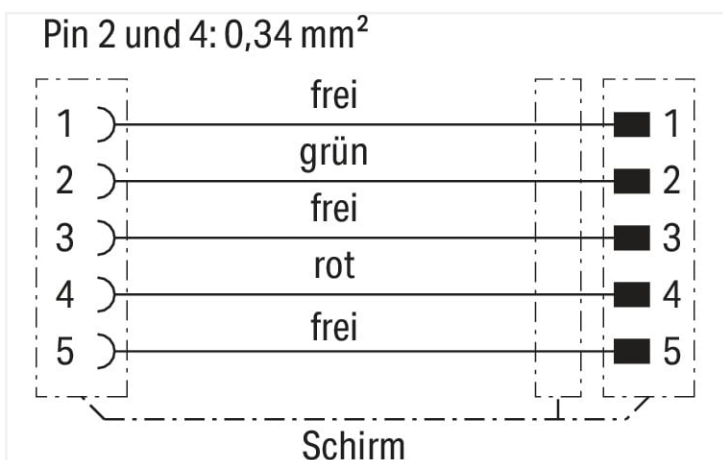


Color: ■ violet



Dimensions in mm

**Short description:**

- PUR, halogen-free
- Suitable for drag chains
- Silicon- and PVC-free
- High resistance to microbes, hydrolysis, oil, chemicals and UV radiation
- High chemical resistance

**Technical data**

Connection type	M12 Socket - free end
Pole number	5
Cable connection direction to mating direction	0°
Connector interface coding (cable/adapter) 1 1	B-coded
Cable length	5 m
Communication/fieldbus	PROFIBUS
Operating voltage	≤ 300 V
Operating current	4 A
Rated surge voltage	2 kV
Insulation resistance	> 2500 MΩ/km
Conductor resistance	55 Ω/km (max.); Loop resistance: 110 Ω/km (max.)

### Mechanical data

Bending radius	> 10 x cable Ø (flexible use); > 5 x cable Ø in drag chain (fixed installation)
Bending cycles	1 million
Drag chain capability	Yes
Sheathed cable diameter	7.3 ... 7.9 mm
Type code	LI02YS-(ST)CB11Y 1X(2X0.34SQMM)
Shield	Shielding braid, (approx. 5.90 mm Ø), tinned CU-ETP1, coverage 85 % ± 5 %
Conductor configuration	Bare copper wire (19 x 0.15 mm)
Conductor insulation	PE (halogen-free); Filler: PP yarn
Housing material	TPU/TPU, black (~ RAL 9005)
Tightening torque	1 Nm
Weight	350 g
Color	violet

### Environmental requirements

Ambient (operating) temperature (dynamic)	-25 ... +60 °C
Ambient (operating) temperature (static)	-50 ... +80 °C
Protection type	IP67
Pollution degree	3/2 per IEC 60664-1
Fire load	0 MJ

### Commercial data

eCl@ss 10.0	27-06-18-01
eCl@ss 9.0	27-06-18-01
ETIM 8.0	EC002599
ETIM 7.0	EC003249
PU (SPU)	1 pcs
Packaging type	Box
Country of origin	DE
GTIN	4045454521516
Customs tariff number	85444290900
End of Sale	2024-05-01
End of Production	2024-05-15
End of Delivery	2024-06-01
End of Service and Repair	2025-06-01

### Environmental Product Compliance

CAS-No.	7439-92-1
REACH Candidate List Substance	Lead
RoHS Compliance Status	Compliant, No Exemption
SCIP notification number (Austria)	05f13bc9-3d7a-4494-9358-80049511e704
SCIP notification number (Belgium)	70ef4d69-e1ce-43ce-9c60-fc8ead9223a0
SCIP notification number (Bulgaria)	e564452f-e4e0-47a3-9f27-443555a5bbd2
SCIP notification number (Czech Republic)	a6bb0a57-2c6a-47d3-841c-3d66646c7f3b
SCIP notification number (Denmark)	1de11771-865c-417d-91d4-5800a5499b9d
SCIP notification number (Finland)	55ef235f-e060-4a26-80ab-3a6559fd4beb
SCIP notification number (France)	a117a204-bc10-4190-8a43-53746edd746a
SCIP notification number (Germany)	85fbe9d7-fe76-4b61-89c9-b8fb527af172
SCIP notification number (Hungary)	f9fd6f14-7e23-4ffe-88cb-8be2b48a1a32
SCIP notification number (Italy)	44997a8f-7fc4-49f7-84ee-b63128fe22f8
SCIP notification number (Netherlands)	2222aa95-3abb-4c14-81a9-290bb9496686
SCIP notification number (Poland)	583c1bf9-0be0-467e-8f7d-72abe6a1992a
SCIP notification number (Romania)	94b22071-2b45-424c-a047-7e450babe7df
SCIP notification number (Sweden)	b661f734-e521-4d8c-8864-79bffb48edf0

## Downloads

### Environmental Product Compliance

#### Compliance Search

Environmental Product  
Compliance  
756-1101/060-050



## Documentation

### System Description

I/O-SYSTEM – SPEED-  
WAY, General Product  
Information

pdf  
1035.20 KB



## CAD/CAE-Data

### CAE data

WSCAD Universe  
756-1101/060-050

