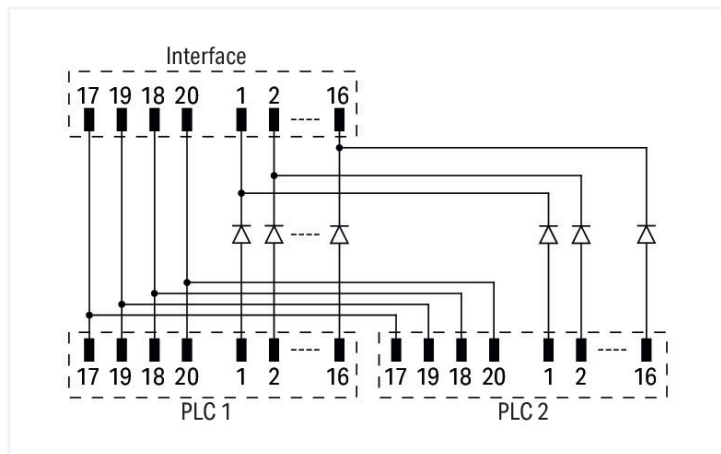


## Data Sheet | Item Number: 704-9014

Interface module for system wiring; Pluggable connector per DIN 41651; Male connector; 20-pole; Redundancy module for control outputs; in mounting carrier



<https://www.wago.com/704-9014>



### Electrical data

Inputs/outputs	16-channel digital output
Nominal operating voltage	DC 24 V
Limiting continuous current	1 A

### Safety and protection

Rated voltage	50 V
Rated surge voltage	0.8 kV
Pollution degree	2

### Connection data

#### Connection 1

Connector	DIN 41651 connector; male connector
Pole number 1	20
Connection type 1	System

#### Connection 2

Pole number 2	20
---------------	----

#### Connection 3

Pole number 3	20
---------------	----

### Physical data

Width	70 mm / 2.755 inches
Height	85 mm / 3.345 inches
Depth from upper-edge of DIN-rail	45 mm / 1.771 inches

### Mechanical data

Mounting type	DIN-35 rail
---------------	-------------

### Material data

Fire load	1.203 MJ
Weight	69.9 g

### Environmental requirements

Ambient temperature (operation)	-20 ... +50 °C
Ambient temperature (storage)	-40 ... +70 °C
Relative humidity	≤ 85% (non-condensing)

### Commercial data

ETIM 8.0	EC002780
ETIM 7.0	EC002780
PU (SPU)	1 pcs
Packaging type	Box
Country of origin	DE
GTIN	4055143982719
Customs tariff number	85369010000

### Environmental Product Compliance

RoHS Compliance Status	Compliant, No Exemption
------------------------	-------------------------

### Downloads

#### Environmental Product Compliance

##### Compliance Search

Environmental Product  
Compliance 704-9014



### Documentation

#### System Description

WAGO System Wiring,  
Selection Guide

pdf  
533.15 KB



### CAD/CAE-Data

CAD data	
2D/3D Models 704-9014	