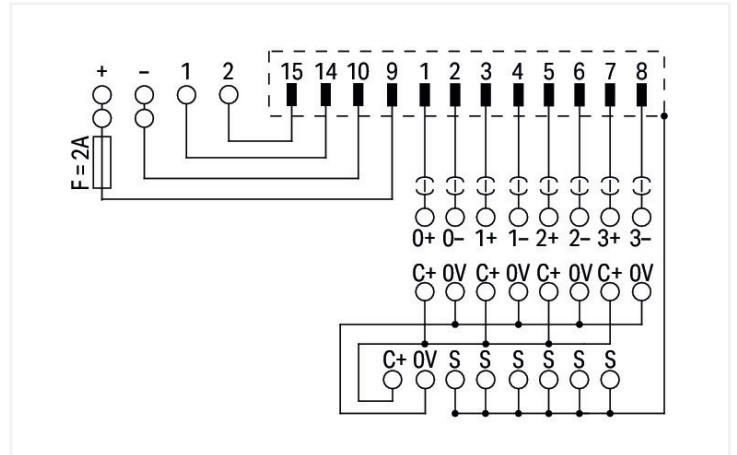
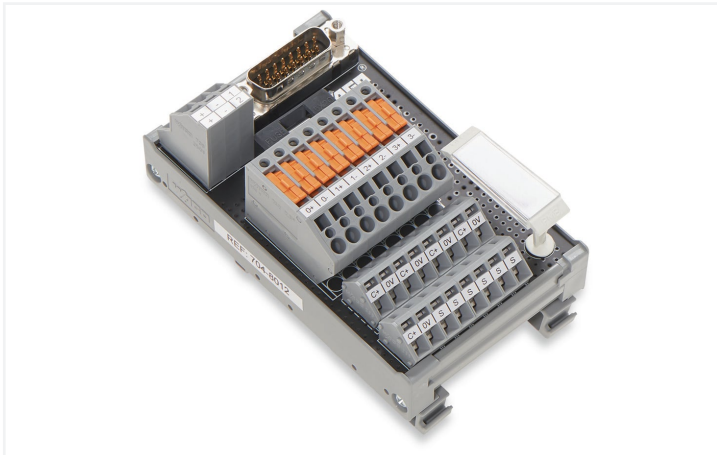


Data Sheet | Item Number: 704-8012

Interface module for system wiring; with solder pin; Male connector; 15-pole; 4-channel analog input or output; 4-wire; PCB terminal blocks; in mounting carrier

<https://www.wago.com/704-8012>



Electrical data

Inputs/outputs	4-channel analog input or output
Circuit type	2-wire connection 4-wire connection
Operating voltage	≤48 VDC
Limiting continuous current	1 A
Internal fuse	Supply: 2 A
Specialty functions	With disconnect/test terminal blocks

Safety and protection

Rated voltage	50 V
Rated surge voltage	0.8 kV
Pollution degree	2

Compatibility

Siemens

Siemens S7-300	6ES7 331-7KB02-0AB0 6ES7 331-7KB81-0AB0 6ES7 331-7RD00-0AB0 6ES7 332-5HB01-0AB0 6ES7 332-5HB81-0AB0 6ES7 332-5HD01-0AB0 6ES7 332-7ND02-0AB0
----------------	---

Siemens S7-1500	6ES7 531-7QD00-0AB0 6ES7 532-5HD00-0AB0 6ES7 532-5ND00-0AB0
-----------------	---

GE Fanuc

GE Fanuc 9030	IC693 ALG220 IC693 ALG221
---------------	------------------------------

Schneider

Schneider Modicon TM3	TM3 AQ4(G) TM3 TI4(G) TM3 TM3(G) TM3 AI2H(G) TM3 AI4(G) TM3 AQ2(G)
-----------------------	---

Schneider Modicon M340	BMX AMI 0410 BMX AMO 0210 BMX AMO 0410
------------------------	--

Schneider Modicon Quantum	140 ACO 020 00
---------------------------	----------------

Schneider

Schneider TSX	TSX AEY 414 TSX ASY 410 TSX ASZ 200 TSX ASZ 401
---------------	--

Rockwell

Rockwell Compact Logix	1769 - IF4 1769 - IF4I 1769 - IF8 1769 - OF2 1769 - OF4 1769 - OF4CI 1769 - OF4VI
Rockwell Control Logix	1756 - OF4

WAGO

WAGO I/O System 753	753-557 (x1) 753-559 (x1) 753-453 (x1) 753-455 (x1) 753-457 (x1) 753-459 (x1) 753-553 (x1) 753-555 (x1)
---------------------	--

Connection data

Connection 1

Connector	D-subminiature male connector
Pole number 1	15
Connection type 1	System
Note (conductor cross-section)	12 AWG: THHN, THWN
Mating direction	vertical

Connection 2

Design 2	PCB terminal blocks
Pole number 2	8
Connection type 2	Field
WAGO connector 2	WAGO 742 Series
Solid conductor 2	0.08 ... 2.5 mm ² / 28 ... 12 AWG
Fine-stranded conductor 2	0.08 ... 2.5 mm ² / 28 ... 12 AWG
Strip length 2	8 ... 9 mm / 0.31 ... 0.35 inches

Connection 3

Design 3	PCB terminal blocks (double-row)
Pole number 3	16
Connection type 3	Field
WAGO connector 3	WAGO 236 Series
Solid conductor 3	0.08 ... 2.5 mm ² / 28 ... 12 AWG
Fine-stranded conductor 3	0.08 ... 2.5 mm ² / 28 ... 12 AWG
Strip length 3	5 ... 6 mm / 0.2 ... 0.24 inches

Connection 4

Design 4	PCB terminal blocks (double-deck)
Pole number 4	6
Connection type 4	Power supply
Connection technology 4	CAGE CLAMP®
WAGO connector 4	WAGO 736 Series
Solid conductor 4	0.08 ... 2.5 mm ² / 28 ... 12 AWG
Fine-stranded conductor 4	0.08 ... 2.5 mm ² / 28 ... 12 AWG
Strip length 4	5 ... 6 mm / 0.2 ... 0.24 inches

Physical data

Width	66 mm / 2.598 inches
Height	105 mm / 4.134 inches
Depth from upper-edge of DIN-rail	50 mm / 1.969 inches

Mechanical data

Mounting type	DIN-35 rail
---------------	-------------

Material data

Fire load	1.704 MJ
Weight	131 g

Environmental requirements

Ambient temperature (operation)	-20 ... +50 °C
Ambient temperature (storage)	-40 ... +70 °C
Relative humidity	≤ 85% (non-condensing)

Commercial data

Product Group	30 (WAGO France)
eCl@ss 10.0	27-14-11-52
eCl@ss 9.0	27-14-11-52
ETIM 8.0	EC002780
ETIM 7.0	EC002780
PU (SPU)	1 pcs
Packaging type	Box
Country of origin	FR
GTIN	4050821115441
Customs tariff number	85366990990

Environmental Product Compliance

RoHS Compliance Status	Compliant, No Exemption
------------------------	-------------------------

Downloads

Environmental Product Compliance

Compliance Search

Environmental Product Compliance 704-8012	↓
---	-------------------

Documentation

System Description			Bid Text			
WAGO System Wiring, Selection Guide	pdf 533.15 KB	↓	704-8012	19.02.2019	xml 3.55 KB	↓
			704-8012	20.11.2015	doc 25.50 KB	↓

CAD/CAE-Data

CAE data

EPLAN Data Portal 704-8012	↓
WSCAD Universe 704-8012	↓

1 Compatible Products

1.1 Optional Accessories

1.1.1 Cables and connectors

1.1.1.1 System cable



Item No.: 706-2300/500-100

System cable; for Siemens S7-300; 4 analog outputs (current); Length: 1 m; Conductor cross-section: 0.25 mm²



Item No.: 706-2300/500-200

System cable; for Siemens S7-300; 4 analog outputs (current); Length: 2 m; Conductor cross-section: 0.25 mm²



Item No.: 706-2300/500-300

System cable; for Siemens S7-300; 4 analog outputs (current); Length: 3 m; Conductor cross-section: 0.25 mm²

1.1.2 Marking

1.1.2.1 Marking strip



Item No.: 709-196

Marking strips; for laser printer; translucent



Item No.: 2009-110

Marking strips; for Smart Printer; on reel; not stretchable; plain; snap-on type; white



Item No.: 709-177

Marking strips; on reel; 7.5 mm wide; not stretchable; plain; snap-on type; translucent



Item No.: 709-178

Marking strips; on reel; 7.5 mm wide; not stretchable; plain; snap-on type; white