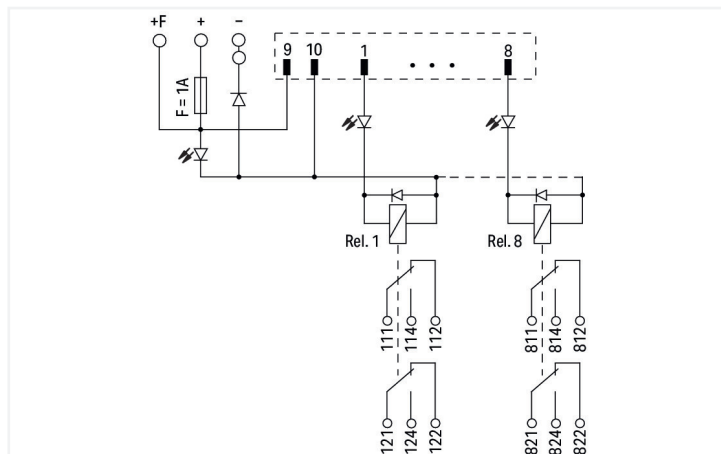


Data Sheet | Item Number: 704-5063

Interface module for system wiring; Pluggable connector per DIN 41651; Male connector; 10-pole; 8-channel relay output; 2 changeover contacts; Double-deck PCB terminal blocks; in mounting carrier

<https://www.wago.com/704-5063>



Notes

Note Independent of the relay used, the maximum continuous current is 5A per channel.

Electrical data

Inputs/outputs	8-channel relay output
Nominal operating voltage	DC 24 V
Operating voltage range	±10 %
Number of changeover/switchover contacts	2
Limiting continuous current	5 A
Making capacity	2 ms 8 A
Switching voltage (max.)	AC 250 V; DC 48 V
Switching power (resistive) max.	AC 1000 VA; DC 50 W
Mechanical life	30 x 10 ⁶ switching operations
Status indicator	Green LED (channel) Yellow LED (power supply)
Internal fuse	Supply: 1 A; Relay output: -
WAGO Basic Relay	788-156

Safety and protection

Rated voltage	50 V
Rated surge voltage	0.8 kV
Pollution degree	2
Dielectric strength (control/load circuit) (AC, 1 min)	4 kVrms
Dielectric strength (load/load circuit) (AC, 1 min)	1 kVrms

Compatibility

Siemens

Siemens S7-300	6ES7 322-1BF01-0AA0 6ES7 322-8BF00-0AB0 6ES7 323-1BH01-0AA0 6ES7 327-1BH00-0AB0 6ES7 326-2BF01-0AB0 6ES7 326-2BF10-0AB0
Siemens S7-1500	6ES7 522-1BF00-0AB0

Siemens

Siemens ET200SP	6ES7 132-6BF00-0CA0 6ES7 132-6BF01-0AA0 6ES7 132-6BF01-0BA0
-----------------	---

GE Fanuc

GE Fanuc 9030	IC693 MDL730 IC693 MDL732
---------------	------------------------------

Schneider

Schneider Modicon TM3	TM3 DQ8T(G)
Schneider Modicon M340	BMX DDM 16022
Schneider Modicon Quantum	140 DDM 390 00
Schneider TSX	TSX DSY 08T2

Rockwell

Rockwell Compact Logix	1769 - OB8
------------------------	------------

Omron

Omron CJ1W	CJ1W-OD204
------------	------------

WAGO

WAGO I/O System 750	750-1502
WAGO I/O System 753	753-530 (x1)

Connection data

Connection 1

Connector	DIN 41651 connector; male connector
Pole number 1	10
Connection type 1	System
Mating direction	vertical

Connection 2

Design 2	PCB terminal blocks (double-deck)
Pole number 2	48
Connection type 2	Field
WAGO connector 2	WAGO 736 Series
Solid conductor 2	0.08 ... 2.5 mm ² / 28 ... 12 AWG
Fine-stranded conductor 2	0.08 ... 2.5 mm ² / 28 ... 12 AWG
Strip length 2	5 ... 6 mm / 0.2 ... 0.24 inches

Connection 3

Design 3	PCB terminal blocks
Pole number 3	4
Connection type 3	Power supply
WAGO connector 3	WAGO 236 Series
Solid conductor 3	0.08 ... 2.5 mm ² / 28 ... 12 AWG
Fine-stranded conductor 3	0.08 ... 2.5 mm ² / 28 ... 12 AWG
Strip length 3	5 ... 6 mm / 0.2 ... 0.24 inches

Physical data

Width	124 mm / 4.882 inches
Height	105 mm / 4.134 inches
Depth from upper-edge of DIN-rail	50 mm / 1.969 inches

Mechanical data

Mounting type	DIN-35 rail
---------------	-------------

Material data

Contact material (relay)	AgNi 90/10
Fire load	7.123 MJ
Weight	177.1 g

Environmental requirements

Ambient temperature (operation)	-20 ... +40 °C
Ambient temperature (storage)	-40 ... +70 °C
Relative humidity	≤ 85% (non-condensing)

Commercial data

ETIM 8.0	EC002780
ETIM 7.0	EC002780
PU (SPU)	1 pcs
Packaging type	Box
Country of origin	DE
GTIN	4066966078978
Customs tariff number	85389091890

Environmental Product Compliance

RoHS Compliance Status	Compliant, No Exemption
------------------------	-------------------------

Approvals / Certificates

Declarations of conformity and manufacturer's declarations

Approval	Standard	Certificate Name
EU-Declaration of Conformity WAGO GmbH & Co. KG	-	-
UK-Declaration of Conformity WAGO GmbH & Co. KG	-	-

Downloads

Environmental Product Compliance

Compliance Search

Environmental Product
Compliance 704-5063



Documentation



System Description

WAGO System Wiring,
Selection Guide

pdf
533.15 KB

