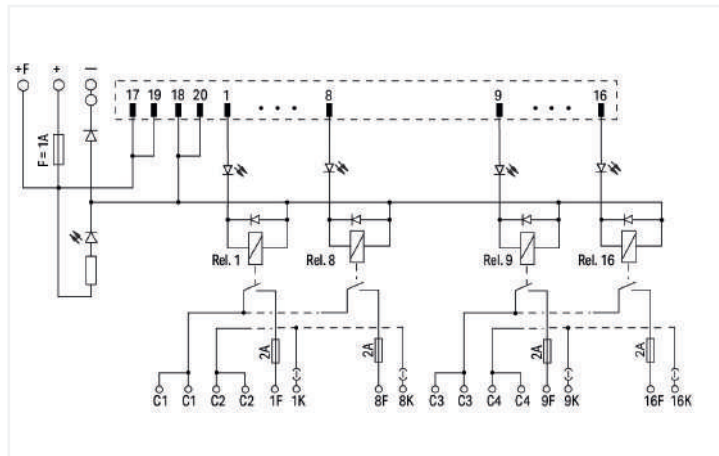
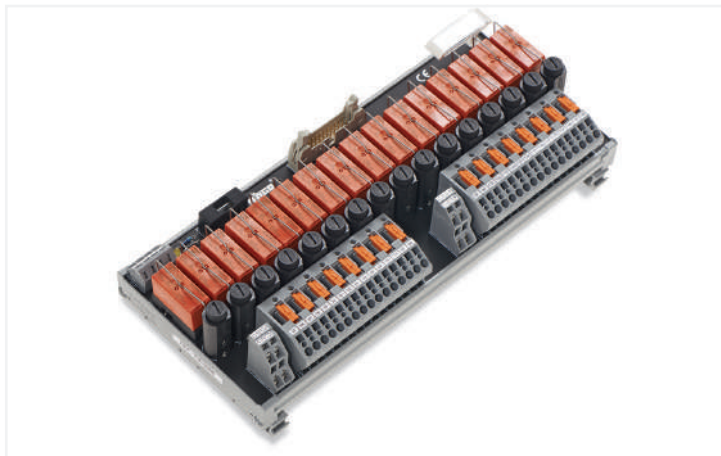


## Data Sheet | Item Number: 704-5054

Interface module for system wiring; Pluggable connector per DIN 41651; Male connector; 20-pole; 16-channel relay output; 1 make contact; with disconnect terminal block and fuse; in mounting carrier; 2,50 mm<sup>2</sup>

<https://www.wago.com/704-5054>



### Notes

Note Independent of the relay used, the maximum continuous current is 5A per channel.

### Electrical data

Inputs/outputs	16-channel relay output
Nominal operating voltage	DC 24 V
Operating voltage range	±10 %
Number of make/switch-on contacts	1
Limiting continuous current	2 A
Switching voltage (max.)	AC 250 V; DC 48 V
Switching power (resistive) max.	AC 500 VA; DC 50 W
Mechanical life	30 x 10 <sup>6</sup> switching operations
Status indicator	Green LED (channel) Yellow LED (power supply)
Internal fuse	Supply: 1 A; Relay output: 2 A
WAGO Basic Relay	788-154
Specialty functions	With disconnect/test terminal blocks With output fuse

### Safety and protection

Rated voltage	50 V
Rated surge voltage	0.8 kV
Pollution degree	2
Dielectric strength (control/load circuit) (AC, 1 min)	4 kVrms
Dielectric strength (load/load circuit) (AC, 1 min)	1 kVrms

### Compatibility

#### GE Fanuc

GE Fanuc 9030	IC693 MDL740 IC693 MDL742 IC693 MDL753
GE Fanuc RX3i	IC694 MDL753

Schneider	
Schneider Modicon TM3	TM3 DQ16T(G) TM3 DQ16TK TM3 DQ32TK
Schneider Modicon M340	BMX DDO 1602 BMX DDO 3202K BMX DDO 6402K BMX DDM 3202K
Schneider Modicon Quantum	140 DDO 353 00 140 DDO 353 01 140 DDO 364 00 140 DVO 853 00
Schneider TSX	TSX DSY 16T2 TSX DSY 32T2K TSX DSY 64T2K TSX DMY 28FK TSX DMY 28RFX
Schneider Twido	TM2 DDO 16TK TM2 DDO 32TK

Rockwell	
Rockwell Compact Logix	1769 - OB16 1769 - OB16P 1769 - OB32 1769 - OB32T
Rockwell Control Logix	1756 - OB16E 1756 - OB32

Omron	
Omron CJ1W	CJ1W-MD232 CJ1W-OD212 CJ1W-OD232 CJ1W-OD262

WAGO	
WAGO I/O System 750	750-1500
WAGO I/O System 753	753-530 (x2)

## Connection data

Connection 1	
Connector	DIN 41651 connector; male connector
Pole number 1	20
Connection type 1	System
Note (conductor cross-section)	12 AWG: THHN, THWN
Mating direction	vertical

Connection 2	
Design 2	PCB terminal blocks
Pole number 2	32
Connection type 2	Field
WAGO connector 2	WAGO 742 Series
Solid conductor 2	0.08 ... 2.5 mm <sup>2</sup> / 28 ... 12 AWG
Fine-stranded conductor 2	0.08 ... 2.5 mm <sup>2</sup> / 28 ... 12 AWG
Strip length 2	8 ... 9 mm / 0.31 ... 0.35 inches

Connection 3	
Design 3	PCB terminal blocks (double-deck)
Pole number 3	8
Connection type 3	Field
WAGO connector 3	WAGO 736 Series
Solid conductor 3	0.08 ... 2.5 mm <sup>2</sup> / 28 ... 12 AWG
Fine-stranded conductor 3	0.08 ... 2.5 mm <sup>2</sup> / 28 ... 12 AWG
Strip length 3	5 ... 6 mm / 0.2 ... 0.24 inches

Connection 4	
Design 4	PCB terminal blocks
Pole number 4	4
Connection type 4	Power supply
Connection technology 4	CAGE CLAMP®
WAGO connector 4	WAGO 236 Series
Solid conductor 4	0.08 ... 2.5 mm <sup>2</sup> / 28 ... 12 AWG
Fine-stranded conductor 4	0.08 ... 2.5 mm <sup>2</sup> / 28 ... 12 AWG
Strip length 4	5 ... 6 mm / 0.2 ... 0.24 inches

## Physical data

Width	240 mm / 9.449 inches
Height	105 mm / 4.134 inches
Depth from upper-edge of DIN-rail	55 mm / 2.165 inches

### Mechanical data

Mounting type	DIN-35 rail
---------------	-------------

### Material data

Contact material (relay)	AgNi 90/10
Fire load	7.17 MJ
Weight	770 g

### Environmental requirements

Ambient temperature (operation)	-25 ... +50 °C
Ambient temperature (storage)	-40 ... +70 °C
Relative humidity	≤ 85% (non-condensing)

### Commercial data

Product Group	30 (WAGO France)
eCl@ss 10.0	27-14-11-52
eCl@ss 9.0	27-14-11-52
ETIM 8.0	EC002780
ETIM 7.0	EC002780
PU (SPU)	1 pcs
Packaging type	Box
Country of origin	QU
GTIN	4045454980177
Customs tariff number	85366990990

### Environmental Product Compliance

RoHS Compliance Status	Compliant, No Exemption
------------------------	-------------------------

### Approvals / Certificates

#### General approvals



Approval	Standard	Certificate Name
EAC Brjansker Zertifizierungs- stelle	TP TC 004/2011	EAC RU C-DE.AM02. B.00122/19

#### Declarations of conformity and manufacturer's declarations

Approval	Standard	Certificate Name
UK-Declaration of Confor- mity WAGO GmbH & Co. KG	-	-

### Downloads

#### Environmental Product Compliance

Compliance Search	
Environmental Product Compliance 704-5054	↓

## Documentation

System Description		Bid Text		
WAGO System Wiring, Selection Guide	pdf 533.15 KB	704-5054	19.02.2019	xml 4.14 KB
		704-5054	20.11.2015	doc 27.00 KB

## CAD/CAE-Data

CAE data	
EPLAN Data Portal 704-5054	↓
WSCAD Universe 704-5054	↓

## 1 Compatible Products

### 1.1 Optional Accessories

#### 1.1.1 Basic relay

##### 1.1.1.1 Basic relay



**Item No.: 788-154**  
 Basic relay; Nominal input voltage: 24 VDC; 1 changeover contact; Limiting continuous current: 16 A; Module width: 13 mm; Module height: 15 mm

### 1.1.2 Cables and connectors

#### 1.1.2.1 Connecting cable



**Item No.: 706-100/1300-200**  
 Connection cable; 20-pole; Pluggable connector per DIN 41651; open-ended; Length: 2 m; Conductor cross-section: 0.14 mm<sup>2</sup>; UR components



**Item No.: 706-100/1300-400**  
 Connection cable; 20-pole; Pluggable connector per DIN 41651; open-ended; Length: 4 m; Conductor cross-section: 0.14 mm<sup>2</sup>; UR components

### 1.1.2.2 System cable



**Item No.: 706-2300/300-100**

System cable; for Siemens S7-300; 16 digital inputs or outputs; Length: 1 m; Conductor cross-section: 0.14 mm<sup>2</sup>



**Item No.: 706-2300/300-200**

System cable; for Siemens S7-300; 16 digital inputs or outputs; Length: 2 m; Conductor cross-section: 0.14 mm<sup>2</sup>



**Item No.: 706-2300/300-300**

System cable; for Siemens S7-300; 16 digital inputs or outputs; Length: 3 m; Conductor cross-section: 0.14 mm<sup>2</sup>



**Item No.: 706-2300/301-100**

System cable; for Siemens S7-300; 2 x 16 digital inputs or outputs; Length: 1 m; Conductor cross-section: 0.14 mm<sup>2</sup>



**Item No.: 706-2300/301-200**

System cable; for Siemens S7-300; 2 x 16 digital inputs or outputs; Length: 2 m; Conductor cross-section: 0.14 mm<sup>2</sup>



**Item No.: 706-2300/301-300**

System cable; for Siemens S7-300; 2 x 16 digital inputs or outputs; Length: 3 m; Conductor cross-section: 0.14 mm<sup>2</sup>



**Item No.: 706-2300/200-100**

System cable; for Siemens S7-300; 2 x 16 digital outputs; Length: 1 m; Conductor cross-section: 0.14 mm<sup>2</sup>



**Item No.: 706-2300/200-200**

System cable; for Siemens S7-300; 2 x 16 digital outputs; Length: 2 m; Conductor cross-section: 0.14 mm<sup>2</sup>



**Item No.: 706-2300/200-300**

System cable; for Siemens S7-300; 2 x 16 digital outputs; Length: 3 m; Conductor cross-section: 0.14 mm<sup>2</sup>



**Item No.: 706-7753/301-200**

System cable; for WAGO I/O-SYSTEM, 753 Series; 2 x 16 digital inputs or outputs; Length: 2 m; Conductor cross-section: 0.14 mm<sup>2</sup>

### 1.1.3 Marking

#### 1.1.3.1 Marking strip



**Item No.: 709-196**

Marking strips; for laser printer; translucent



**Item No.: 2009-110**

Marking strips; for Smart Printer; on reel; not stretchable; plain; snap-on type; white



**Item No.: 709-177**

Marking strips; on reel; 7.5 mm wide; not stretchable; plain; snap-on type; translucent



**Item No.: 709-178**

Marking strips; on reel; 7.5 mm wide; not stretchable; plain; snap-on type; white