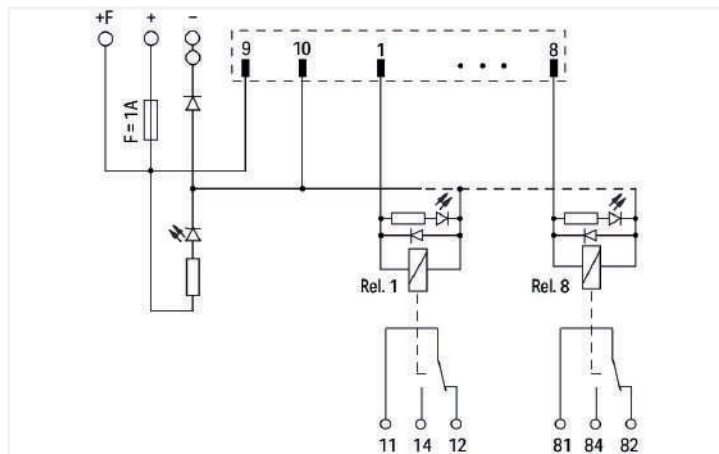


## Data Sheet | Item Number: 704-5003

Interface module for system wiring; Pluggable connector per DIN 41651; Male connector; 10-pole; 8-channel relay output; 1 changeover contact; Triple-deck PCB terminal blocks; in mounting carrier; 2,50 mm<sup>2</sup>

<https://www.wago.com/704-5003>



### Electrical data

|  |  |
|--|--|
| Inputs/outputs                           | 8-channel relay output                           |
| Nominal operating voltage                | DC 24 V  |
| Operating voltage range                  | ±10 %  |
| Number of changeover/switchover contacts | 1  |
| Limiting continuous current              | 5 A  |
| Switching voltage (max.)                 | AC 250 V; DC 48 V                                |
| Switching power (resistive) max.         | AC 1250 VA; DC 50 W                              |
| Mechanical life                          | 10 x 10 <sup>6</sup> switching operations        |
| Status indicator                         | Green LED (channel)<br>Yellow LED (power supply) |
| Internal fuse                            | Supply: 1 A; Relay output: -                     |
| WAGO Basic Relay                         | 857-152  |

### Safety and protection

|  |         |
|--|---------|
| Rated voltage  | 50 V    |
| Rated surge voltage                                    | 0.8 kV  |
| Pollution degree                                       | 2       |
| Dielectric strength (control/load circuit) (AC, 1 min) | 4 kVrms |
| Dielectric strength (load/load circuit) (AC, 1 min)    | 1 kVrms |

### Compatibility

#### Siemens

|                |  |
|----------------|--|
| Siemens S7-300 | 6ES7 322-1BF01-0AA0<br>6ES7 322-8BF00-0AB0<br>6ES7 323-1BH01-0AA0<br>6ES7 327-1BH00-0AB0<br>6ES7 326-2BF01-0AB0<br>6ES7 326-2BF10-0AB0 |
|----------------|--|

Siemens S7-1500 6ES7 522-1BF00-0AB0

Siemens ET200SP 6ES7 132-6BF00-0CA0  
6ES7 132-6BF01-0AA0  
6ES7 132-6BF01-0BA0

#### GE Fanuc

|               |                              |
|---------------|------------------------------|
| GE Fanuc 9030 | IC693 MDL730<br>IC693 MDL732 |
|---------------|------------------------------|

### Schneider

|                           |                |
|---------------------------|----------------|
| Schneider Modicon TM3     | TM3 DQ8T(G)    |
| Schneider Modicon M340    | BMX DDM 16022  |
| Schneider Modicon Quantum | 140 DDM 390 00 |
| Schneider TSX             | TSX DSY 08T2   |

### Rockwell

|                        |            |
|------------------------|------------|
| Rockwell Compact Logix | 1769 - OB8 |
|------------------------|------------|

### Omron

|            |            |
|------------|------------|
| Omron CJ1W | CJ1W-OD204 |
|------------|------------|

### WAGO

|                     |              |
|---------------------|--------------|
| WAGO I/O System 750 | 750-1502     |
| WAGO I/O System 753 | 753-530 (x1) |

## Connection data

### Connection 1

|                                |                                     |
|--------------------------------|-------------------------------------|
| Connector                      | DIN 41651 connector; male connector |
| Pole number 1                  | 10                                  |
| Connection type 1              | System                              |
| Note (conductor cross-section) | 12 AWG: THHN, THWN                  |
| Mating direction               | vertical                            |

### Connection 2

|                           |  |
|---------------------------|--|
| Design 2                  | PCB terminal blocks (triple-deck)            |
| Pole number 2             | 24   |
| Connection type 2         | Field  |
| WAGO connector 2          | WAGO 737 Series                              |
| Solid conductor 2         | 0.08 ... 2.5 mm <sup>2</sup> / 28 ... 12 AWG |
| Fine-stranded conductor 2 | 0.08 ... 2.5 mm <sup>2</sup> / 28 ... 12 AWG |
| Strip length 2            | 5 ... 6 mm / 0.2 ... 0.24 inches             |

### Connection 3

|                           |  |
|---------------------------|--|
| Design 3                  | PCB terminal blocks                          |
| Pole number 3             | 4  |
| Connection type 3         | Power supply                                 |
| WAGO connector 3          | WAGO 236 Series                              |
| Solid conductor 3         | 0.08 ... 2.5 mm <sup>2</sup> / 28 ... 12 AWG |
| Fine-stranded conductor 3 | 0.08 ... 2.5 mm <sup>2</sup> / 28 ... 12 AWG |
| Strip length 3            | 5 ... 6 mm / 0.2 ... 0.24 inches             |

## Physical data

|                                   |                       |
|-----------------------------------|-----------------------|
| Width                             | 70 mm / 2.756 inches  |
| Height                            | 105 mm / 4.134 inches |
| Depth from upper-edge of DIN-rail | 65 mm / 2.559 inches  |

## Mechanical data

|               |             |
|---------------|-------------|
| Mounting type | DIN-35 rail |
|---------------|-------------|

## Material data

|                          |                    |
|--------------------------|--------------------|
| Contact material (relay) | AgSnO <sub>2</sub> |
| Fire load                | 1.304 MJ           |
| Weight                   | 230 g              |

### Environmental requirements

|                                 |                        |
|---------------------------------|------------------------|
| Ambient temperature (operation) | -25 ... +40 °C         |
| Ambient temperature (storage)   | -40 ... +70 °C         |
| Relative humidity               | ≤ 85% (non-condensing) |

### Commercial data

|                       |                  |
|-----------------------|------------------|
| Product Group         | 30 (WAGO France) |
| eCl@ss 10.0           | 27-14-11-52      |
| eCl@ss 9.0            | 27-14-11-52      |
| ETIM 8.0              | EC002780         |
| ETIM 7.0              | EC002780         |
| PU (SPU)              | 1 pcs            |
| Packaging type        | Box              |
| Country of origin     | FR               |
| GTIN                  | 4045454980092    |
| Customs tariff number | 85366990990      |

### Environmental Product Compliance

|   |  |
|---|--|
| CAS-No.                                   | 7439-92-1<br>79-94-7                                     |
| REACH Candidate List Substance            | 2,2',6,6'-tetrabromo-4,4'-isopropylidenediphenol<br>Lead |
| RoHS Compliance Status                    | Compliant,With Exemption                                 |
| RoHS Exemption                            | 6(c)<br>7(a)<br>7(c)-I<br>7(c)-II                        |
| SCIP notification number (Bulgaria)       | 0c7733fd-61a0-4cde-8ddc-942c6a0fa5ea                     |
| SCIP notification number (Czech Republic) | f202cc7f-10ec-4ffc-827b-a812bffd4864                     |

### Approvals / Certificates

#### General approvals

#### Declarations of conformity and manufacturer's declarations



| Approval                                    | Standard       | Certificate Name                |
|---|----------------|---------------------------------|
| EAC<br>Brjansker Zertifizierungs-<br>stelle | TP TC 004/2011 | EAC RU C-DE.AM02.<br>B.00122/19 |

| Approval  | Standard | Certificate Name |
|---|----------|------------------|
| EU-Declaration of Confor-<br>mity<br>WAGO GmbH & Co. KG | -        | -                |
| UK-Declaration of Confor-<br>mity<br>WAGO GmbH & Co. KG | -        | -                |

### Downloads

#### Environmental Product Compliance

|   |                   |
|---|-------------------|
| <b>Compliance Search</b>                  |                   |
| Environmental Product Compliance 704-5003 | <a href="#">↓</a> |

**Documentation**

|                                     |                                       |
|-------------------------------------|---------------------------------------|
| <b>System Description</b>           |                                       |
| WAGO System Wiring, Selection Guide | pdf<br>533.15 KB<br><a href="#">↓</a> |

|                 |            |                 |                   |
|-----------------|------------|-----------------|-------------------|
| <b>Bid Text</b> |            |                 |                   |
| 704-5003        | 19.02.2019 | xml<br>4.13 KB  | <a href="#">↓</a> |
| 704-5003        | 20.11.2015 | doc<br>26.50 KB | <a href="#">↓</a> |

**CAD/CAE-Data**

|                       |                   |
|-----------------------|-------------------|
| <b>CAD data</b>       |                   |
| 2D/3D Models 704-5003 | <a href="#">↓</a> |

|                            |                   |
|----------------------------|-------------------|
| <b>CAE data</b>            |                   |
| EPLAN Data Portal 704-5003 | <a href="#">↓</a> |
| WSCAD Universe 704-5003    | <a href="#">↓</a> |

**1 Compatible Products**

**1.1 Optional Accessories**

**1.1.1 Basic relay**

**1.1.1.1 Basic relay**



**Item No.: 857-152**  
 Basic relay; Nominal input voltage: 24 VDC; 1 changeover contact; Limiting continuous current: 6 A; Module width: 5 mm; Module height: 15 mm

**1.1.2 Cables and connectors**

**1.1.2.1 Connecting cable**



**Item No.: 706-100/1301-200**  
 Connection cable; 10-pole; Pluggable connector per DIN 41651; open-ended; Length: 2 m; Conductor cross-section: 0.14 mm<sup>2</sup>; UR components

### 1.1.2.2 System cable



**Item No.: 706-2300/201-100**

System cable; for Siemens S7-300; 8 digital outputs; Length: 1 m; Conductor cross-section: 0.14 mm<sup>2</sup>



**Item No.: 706-2300/201-200**

System cable; for Siemens S7-300; 8 digital outputs; Length: 2 m; Conductor cross-section: 0.14 mm<sup>2</sup>



**Item No.: 706-2300/201-300**

System cable; for Siemens S7-300; 8 digital outputs; Length: 3 m; Conductor cross-section: 0.14 mm<sup>2</sup>



**Item No.: 706-7753/302-100**

System cable; for WAGO-I/O-SYSTEM, 750 Series; 8 digital inputs and 8 digital outputs; Length: 1 m; Conductor cross-section: 0.14 mm<sup>2</sup>



**Item No.: 706-7753/302-200**

System cable; for WAGO-I/O-SYSTEM, 750 Series; 8 digital inputs and 8 digital outputs; Length: 2 m; Conductor cross-section: 0.14 mm<sup>2</sup>



**Item No.: 706-7753/300-100**

System cable; for WAGO-I/O-SYSTEM, 753 Series; 8 digital inputs or outputs; Length: 1 m; Conductor cross-section: 0.14 mm<sup>2</sup>



**Item No.: 706-7753/300-200**

System cable; for WAGO-I/O-SYSTEM, 753 Series; 8 digital inputs or outputs; Length: 2 m; Conductor cross-section: 0.14 mm<sup>2</sup>

### 1.1.3 Marking

#### 1.1.3.1 Marking strip



**Item No.: 709-196**

Marking strips; for laser printer; translucent



**Item No.: 2009-110**

Marking strips; for Smart Printer; on reel; not stretchable; plain; snap-on type; white



**Item No.: 709-177**

Marking strips; on reel; 7.5 mm wide; not stretchable; plain; snap-on type; translucent



**Item No.: 709-178**

Marking strips; on reel; 7.5 mm wide; not stretchable; plain; snap-on type; white