

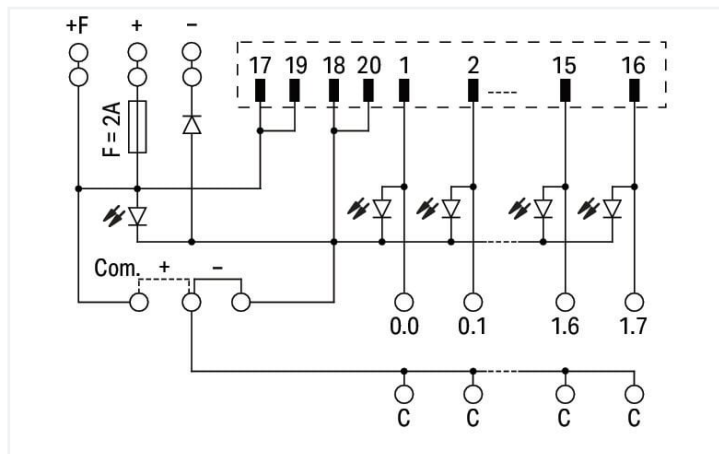
Data Sheet | Item Number: 704-2224

Interface module for system wiring; Pluggable connector per DIN 41651; Male connector; 20-pole; 16-channel digital input or output; 2-wire connection; Double-deck PCB terminal blocks; in mounting carrier

<https://www.wago.com/704-2224>



Similar to illustration



Electrical data

Inputs/outputs	16-channel digital input or output
Circuit type	2-wire connection
Nominal operating voltage	DC 24 V
Operating voltage range	±10 %
Current consumption (status indication)	5 mA
Total current	2 A
Limiting continuous current	1 A
Status indicator	Green LED (channel) Yellow LED (power supply)
Internal fuse	2 A

Safety and protection

Rated voltage	50 V
Rated surge voltage	0.8 kV
Pollution degree	2

Compatibility

GE Fanuc

GE Fanuc 9030	IC693 MDL655 IC693 MDL740 IC693 MDL742 IC693 MDL753 IC693 MDL241 IC693 MDL640 IC693 MDL643 IC693 MDL645 IC693 MDL646
GE Fanuc RX3i	IC694 MDL655 IC694 MDL753

Schneider	
Schneider Modicon TM3	TM3 DI16(G) TM3 DI16K TM3 DI32K TM3 DQ16T(G) TM3 DQ16TK TM3 DQ32TK
Schneider Modicon M340	BMX DDM 3202K BMX DDI 1602 BMX DDI 3202K BMX DDI 6402K BMX DDO 1602 BMX DDO 3202K BMX DDO 6402K
Schneider Modicon Quantum	140 DDI 353 00 140 DDI 364 00 140 DDO 353 00 140 DDO 353 01 140 DDO 364 00 140 DDM 390 00 140 DSI 353 00 140 DVO 853 00
Schneider TSX	TSX DEY 16D2 TSX DEY 16FK TSX DEY 32D2K TSX DMZ 28DT TSX DMZ 28DTK TSX DMZ 64DTK TSX DSZ 32T2 TSX DEZ 12D2K TSX DEZ 32D2 TSX DEY 64D2K TSX DMY 28FK TSX DMY 28RFK TSX DSY 16T2 TSX DSY 32T2K TSX DSY 64T2K
Schneider Twido	TM2 DDI 16DK TM2 DDI 32DK TM2 DDO 16TK TM2 DDO 32TK

Rockwell	
Rockwell Compact Logix	1769 - OB16P 1769 - OB32 1769 - OB32T 1769 - IQ16 1769 - IQ16F 1769 - IQ32 1769 - IQ32T 1769 - OB16
Rockwell Control Logix	1756 - OB16E 1756 - OB16I 1756 - OB16IS 1756 - OB32 1756 - IB16I 1756 - IB16ISOE 1756 - IB32

Omron	
Omron CJ1W	CJ1W-INT01 CJ1W-MD232 CJ1W-OD212 CJ1W-OD232 CJ1W-OD262 CJ1W-ID211 CJ1W-ID231 CJ1W-ID232 CJ1W-ID261 CJ1W-ID262 CJ1W-IDP01

WAGO	
WAGO I/O System 750	750-1400 750-1500 750-1502
WAGO I/O System 753	753-430 (x2) 753-431 (x2) 753-530 (x2)

Connection data			
Connection 1		Connection 2	
Connector	DIN 41651 connector; male connector	Design 2	PCB terminal blocks (double-deck)
Pole number 1	20	Pole number 2	32
Connection type 1	System	Connection type 2	Field
Note (conductor cross-section)	12 AWG: THHN, THWN	WAGO connector 2	WAGO 736 Series
Mating direction	vertical	Solid conductor 2	0.08 ... 2.5 mm ² / 28 ... 12 AWG
		Fine-stranded conductor 2	0.08 ... 2.5 mm ² / 28 ... 12 AWG
		Strip length 2	5 ... 6 mm / 0.2 ... 0.24 inches

Connection 3

Design 3	PCB terminal blocks (double-row)
Pole number 3	6
Connection type 3	Power supply
WAGO connector 3	WAGO 736 Series
Solid conductor 3	0.08 ... 2.5 mm ² / 28 ... 12 AWG
Fine-stranded conductor 3	0.08 ... 2.5 mm ² / 28 ... 12 AWG
Strip length 3	5 ... 6 mm / 0.2 ... 0.24 inches

Physical data

Width	85 mm / 3.346 inches
Height	85 mm / 3.346 inches
Depth from upper-edge of DIN-rail	50 mm / 1.969 inches

Mechanical data

Mounting type	DIN-35 rail
---------------	-------------

Material data

Fire load	1.976 MJ
Weight	110 g

Environmental requirements

Ambient temperature (operation)	-20 ... +50 °C
Ambient temperature (storage)	-40 ... +70 °C
Relative humidity	≤ 85% (non-condensing)

Commercial data

ETIM 8.0	EC002780
ETIM 7.0	EC002780
PU (SPU)	1 pcs
Packaging type	Box
Country of origin	FR
GTIN	4050821887713
Customs tariff number	85369010000

Environmental Product Compliance

RoHS Compliance Status	Compliant, No Exemption
------------------------	-------------------------

Downloads

Environmental Product Compliance

Compliance Search

Environmental Product
Compliance 704-2224



Documentation

System Description

WAGO System Wiring,
Selection Guide

pdf
533.15 KB



CAD/CAE-Data

CAD data

2D/3D Models
704-2224

