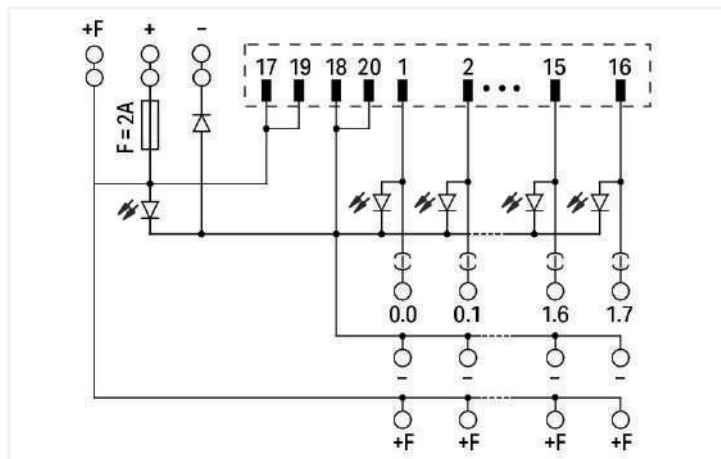


Data Sheet | Item Number: 704-2064

Interface module for system wiring; Pluggable connector per DIN 41651; Male connector; 20-pole; 16-channel digital input or output; 3-wire connection; with disconnect terminal block; in mounting carrier

<https://www.wago.com/704-2064>



Electrical data

Inputs/outputs	16-channel digital input or output
Circuit type	3-wire connection
Nominal operating voltage	DC 24 V
Operating voltage range	±10 %
Current consumption (status indication)	5 mA
Total current	2 A
Limiting continuous current	1 A
Status indicator	Green LED (channel) Yellow LED (power supply)
Internal fuse	2 A
Specialty functions	With disconnect/test terminal blocks

Safety and protection

Rated voltage	50 V
Rated surge voltage	0.8 kV
Pollution degree	2

Compatibility

Siemens

Siemens S7-300	6ES7 313-5BE01-0AB0 6ES7 313-5BG04-0AB0 6ES7 313-6BE01-0AB0 6ES7 313-6BF03-0AB0 6ES7 313-6CE01-0AB0 6ES7 313-6CF03-0AB0 6ES7 314-6BF01-0AB0 6ES7 314-6BG03-0AB0 6ES7 314-6CF01-0AB0 6ES7 314-6CG03-0AB0 6ES7 321-1BH02-0AA0 6ES7 321-1BH10-0AA0 6ES7 321-1BH80-0AA0 6ES7 321-1BL00-0AA0 6ES7 321-1BL80-0AA0 6ES7 321-1BP00-0AA0 6ES7 321-7BH01-0AB0 6ES7 321-7BH80-0AA0 6ES7 322-1BH01-0AA0 6ES7 322-1BH10-0AA0 6ES7 322-1BH80-0AA0 6ES7 322-1BL00-0AA0 6ES7 322-1BP00-0AA0 6ES7 322-1EH01-0AA0 6ES7 322-8BH01/8BH10-0AB0 6ES7 323-1BL00-0AA0 6ES7 326-1BK01-0AB0 6ES7 326-1RF00-0AB0
----------------	--

Siemens S7-400	6ES7 421-1BL01-0AA0 6ES7 421-7BH01-0AB0 6ES7 422-1BL00-0AA0 6ES7 422-7BL00-0AB0
----------------	--

Siemens S7-1500	6ES7 511-1CK00-0AB0 6ES7 512-1CK00-0AB0 6ES7 521-1BH00-0AA0 6ES7 521-1BH10-0AA0 6ES7 521-1BL00-0AB0 6ES7 521-1BL10-0AA0 6ES7 521-1BP00-0AA0 6ES7 522-1BH00-0AB0 6ES7 522-1BH01-0AB0 6ES7 522-1BH10-0AA0 6ES7 522-1BL00-0AB0 6ES7 522-1BL01-0AB0 6ES7 522-1BL10-0AA0 6ES7 522-1BP00-0AA0 6ES7 523-1BL00-0AA0 6ES7 526-1BH00-0AB0
-----------------	--

Siemens ET200SP	6ES7 131-6BH01-0BA0 6ES7 131-6BH01-2BA0 6ES7 132-6BH00-0AA0 6ES7 132-6BH00-2AA0 6ES7 132-6BH01-0BA0 6ES7 132-6BH01-2BA0
-----------------	--

Schneider

Schneider Modicon TM3	TM3 DI16(G) TM3 DI16K TM3 DI32K TM3 DQ16T(G) TM3 DQ16TK TM3 DQ32TK
-----------------------	---

GE Fanuc

GE Fanuc 9030	IC693 MDL655 IC693 MDL740 IC693 MDL742 IC693 MDL753 IC693 MDL241 IC693 MDL640 IC693 MDL643 IC693 MDL645 IC693 MDL646
GE Fanuc RX3i	IC694 MDL655 IC694 MDL753

Schneider

Schneider Modicon M340	BMX DDM 3202K BMX DDI 1602 BMX DDI 3202K BMX DDI 6402K BMX DDO 1602 BMX DDO 3202K BMX DDO 6402K
------------------------	---

Schneider	
Schneider Modicon Quantum	140 DDI 353 00
	140 DDI 364 00
	140 DDO 353 00
	140 DDO 353 01
	140 DDO 364 00
	140 DDM 390 00
	140 DSI 353 00
140 DVO 853 00	
Schneider TSX	TSX DEY 16D2
	TSX DEY 16FK
	TSX DEY 32D2K
	TSX DMZ 28DT
	TSX DMZ 28DTK
	TSX DMZ 64DTK
	TSX DSZ 32T2
	TSX DEZ 12D2K
	TSX DEZ 32D2
	TSX DEY 64D2K
	TSX DMY 28FK
	TSX DMY 28RFK
	TSX DSY 16T2
	TSX DSY 32T2K
	TSX DSY 64T2K
Schneider Twido	TM2 DDI 16DK
	TM2 DDI 32DK
	TM2 DDO 16TK
	TM2 DDO 32TK

Rockwell	
Rockwell Compact Logix	1769 - OB16P
	1769 - OB32
	1769 - OB32T
	1769 - IQ16
	1769 - IQ16F
	1769 - IQ32
	1769 - IQ32T
	1769 - OB16
Rockwell Control Logix	1756 - OB16E
	1756 - OB16I
	1756 - OB16IS
	1756 - OB32
	1756 - IB16I
	1756 - IB16ISOE
1756 - IB32	

Omron	
Omron CJ1W	CJ1W-INT01
	CJ1W-MD232
	CJ1W-OD212
	CJ1W-OD232
	CJ1W-OD262
	CJ1W-ID211
	CJ1W-ID231
	CJ1W-ID232
	CJ1W-ID261
	CJ1W-ID262
	CJ1W-IDP01

WAGO	
WAGO I/O System 750	750-1400
	750-1500
	750-1502
WAGO I/O System 753	753-430 (x2)
	753-431 (x2)
	753-530 (x2)

Connection data

Connection 1		Connection 2	
Connector	DIN 41651 connector; male connector	Design 2	PCB terminal blocks
Pole number 1	20	Pole number 2	16
Connection type 1	System	Connection type 2	Field
Note (conductor cross-section)	12 AWG: THHN, THWN	WAGO connector 2	WAGO 742 Series
Mating direction	vertical	Solid conductor 2	0.08 ... 2.5 mm ² / 28 ... 12 AWG
		Fine-stranded conductor 2	0.08 ... 2.5 mm ² / 28 ... 12 AWG
		Strip length 2	8 ... 9 mm / 0.31 ... 0.35 inches
Connection 3		Connection 4	
Design 3	PCB terminal blocks (double-row)	Design 4	PCB terminal blocks (double-deck)
Pole number 3	32	Pole number 4	6
Connection type 3	Field	Connection type 4	Power supply
WAGO connector 3	WAGO 236 Series	WAGO connector 4	WAGO 736 Series
Solid conductor 3	0.08 ... 2.5 mm ² / 28 ... 12 AWG	Solid conductor 4	0.08 ... 2.5 mm ² / 28 ... 12 AWG
Fine-stranded conductor 3	0.08 ... 2.5 mm ² / 28 ... 12 AWG	Fine-stranded conductor 4	0.08 ... 2.5 mm ² / 28 ... 12 AWG
Strip length 3	5 ... 6 mm / 0.2 ... 0.24 inches	Strip length 4	5 ... 6 mm / 0.2 ... 0.24 inches

Physical data

Width	85 mm / 3.346 inches
Height	105 mm / 4.134 inches
Depth from upper-edge of DIN-rail	50 mm / 1.969 inches

Mechanical data

Mounting type	DIN-35 rail
---------------	-------------

Material data

Fire load	2.496 MJ
Weight	170 g

Environmental requirements

Ambient temperature (operation)	-20 ... +50 °C
Ambient temperature (storage)	-40 ... +70 °C
Relative humidity	≤ 85% (non-condensing)

Commercial data

Product Group	30 (WAGO France)
ETIM 8.0	EC002780
ETIM 7.0	EC002780
PU (SPU)	1 pcs
Packaging type	Box
Country of origin	FR
GTIN	4050821220572
Customs tariff number	85369010000

Environmental Product Compliance

RoHS Compliance Status	Compliant, No Exemption
------------------------	-------------------------

Downloads

Environmental Product Compliance

Compliance Search

Environmental Product
Compliance 704-2064



Documentation

System Description

WAGO System Wiring,
Selection Guide

pdf
533.15 KB

