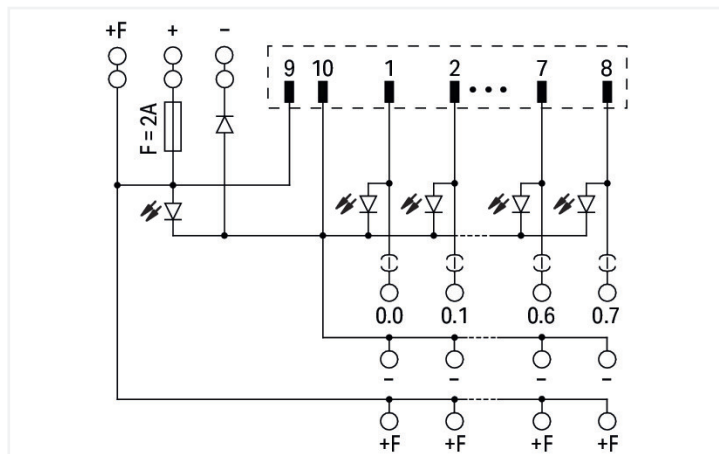


Data Sheet | Item Number: 704-2063

Interface module for system wiring; Pluggable connector per DIN 41651; Male connector; 10-pole; 8-channel digital input or output; 3-wire connection; with disconnect terminal block; in mounting carrier

<https://www.wago.com/704-2063>



Electrical data

| | |
|---|--|
| Inputs/outputs | 8-channel digital input or output |
| Circuit type | 3-wire connection |
| Nominal operating voltage | DC 24 V |
| Operating voltage range | ±10 % |
| Current consumption (status indication) | 5 mA |
| Total current | 2 A |
| Limiting continuous current | 1 A |
| Status indicator | Green LED (channel) Yellow LED (power supply) |
| Internal fuse | 2 A |
| Specialty functions | With disconnect/test terminal blocks |

Safety and protection

| | |
|---------------------|--------|
| Rated voltage | 50 V |
| Rated surge voltage | 0.8 kV |
| Pollution degree | 2 |

Compatibility

Siemens

| | |
|-----------------|--|
| Siemens S7-300 | 6ES7 313-5BE01-0AB0 6ES7 313-5BG04-0AB0 6ES7 314-6BF01-0AB0 6ES7 314-6BG03-0AB0 6ES7 314-6CF01-0AB0 6ES7 314-6CG03-0AB0 6ES7 322-1BF01-0AA0 6ES7 322-8BF00-0AB0 6ES7 323-1BH01-0AA0 6ES7 326-2BF01-0AB0 6ES7 326-2BF10-0AB0 6ES7 327-1BH00-0AB0 |
| Siemens S7-1500 | 6ES7 522-1BF00-0AB0 |

Siemens

| | |
|-----------------|---|
| Siemens ET200SP | 6ES7 131-6BF00-0CA0 6ES7 131-6BF00-0DA0 6ES7 131-6BF00-2CA0 6ES7 131-6BF01-0AA0 6ES7 131-6BF01-0BA0 6ES7 131-6BF01-2AA0 6ES7 131-6BF01-2BA0 6ES7 131-6BF61-0AA0 6ES7 132-6BF00-0CA0 6ES7 132-6BF01-0AA0 6ES7 132-6BF01-0BA0 |
|-----------------|---|

GE Fanuc

| | |
|---------------|--|
| GE Fanuc 9030 | IC693 MDL634 IC693 MDL730 IC693 MDL732 |
|---------------|--|

Schneider

| | |
|---------------------------|--------------------------------|
| Schneider Modicon TM3 | TM3 DI8(G) TM3 DQ8T(G) |
| Schneider Modicon M340 | BMX DDM 16022 BMX DDM 16025 |
| Schneider Modicon Quantum | 140 DDM 390 00 |
| Schneider TSX | TSX DEY 08D2 TSX DSY 08T2 |

Rockwell

| | |
|------------------------|------------|
| Rockwell Compact Logix | 1769 - OB8 |
|------------------------|------------|

Omron

| | |
|------------|--------------------------|
| Omron CJ1W | CJ1W-ID201 CJ1W-OD204 |
|------------|--------------------------|

WAGO

| | |
|---------------------|--|
| WAGO I/O System 750 | 750-1502 |
| WAGO I/O System 753 | 753-430 (x1) 753-431 (x1) 753-530 (x1) |

Connection data

Connection 1

| | |
|-------------------|-------------------------------------|
| Connector | DIN 41651 connector; male connector |
| Pole number 1 | 10 |
| Connection type 1 | System |
| Mating direction | vertical |

Connection 2

| | |
|---------------------------|--|
| Design 2 | PCB terminal blocks |
| Pole number 2 | 8 |
| Connection type 2 | Field |
| WAGO connector 2 | WAGO 742 Series |
| Solid conductor 2 | 0.08 ... 2.5 mm ² / 28 ... 12 AWG |
| Fine-stranded conductor 2 | 0.08 ... 2.5 mm ² / 28 ... 12 AWG |
| Strip length 2 | 8 ... 9 mm / 0.31 ... 0.35 inches |

Connection 3

| | |
|---------------------------|--|
| Design 3 | PCB terminal blocks |
| Pole number 3 | 16 |
| Connection type 3 | Field |
| WAGO connector 3 | WAGO 236 Series |
| Solid conductor 3 | 0.08 ... 2.5 mm ² / 28 ... 12 AWG |
| Fine-stranded conductor 3 | 0.08 ... 2.5 mm ² / 28 ... 12 AWG |
| Strip length 3 | 5 ... 6 mm / 0.2 ... 0.24 inches |

Connection 4

| | |
|---------------------------|--|
| Design 4 | PCB terminal blocks (double-deck) |
| Pole number 4 | 24 |
| Connection type 4 | Power supply |
| WAGO connector 4 | WAGO 736 Series |
| Solid conductor 4 | 0.08 ... 2.5 mm ² / 28 ... 12 AWG |
| Fine-stranded conductor 4 | 0.08 ... 2.5 mm ² / 28 ... 12 AWG |
| Strip length 4 | 5 ... 6 mm / 0.2 ... 0.24 inches |

Physical data

| | |
|-----------------------------------|-----------------------|
| Width | 56 mm / 2.205 inches |
| Height | 105 mm / 4.133 inches |
| Depth from upper-edge of DIN-rail | 63 mm / 2.48 inches |

Mechanical data

| | |
|---------------|-------------|
| Mounting type | DIN-35 rail |
|---------------|-------------|

Material data

| | |
|-----------|----------|
| Fire load | 1.704 MJ |
| Weight | 114.4 g |

Environmental requirements

| | |
|---------------------------------|------------------------|
| Ambient temperature (operation) | -20 ... +50 °C |
| Ambient temperature (storage) | -40 ... +70 °C |
| Relative humidity | ≤ 85% (non-condensing) |

Commercial data

| | |
|-----------------------|---------------|
| ETIM 8.0 | EC002780 |
| ETIM 7.0 | EC002780 |
| PU (SPU) | 1 pcs |
| Packaging type | Box |
| Country of origin | DE |
| GTIN | 4055143982672 |
| Customs tariff number | 85369010000 |

Environmental Product Compliance

| | |
|------------------------|-------------------------|
| RoHS Compliance Status | Compliant, No Exemption |
|------------------------|-------------------------|

Downloads

Environmental Product Compliance

Compliance Search

Environmental Product
Compliance 704-2063



Documentation

System Description

WAGO System Wiring,
Selection Guide

pdf
533.15 KB

