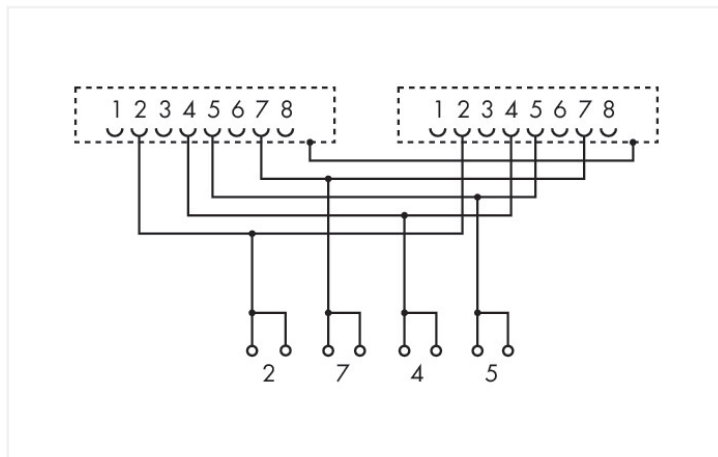
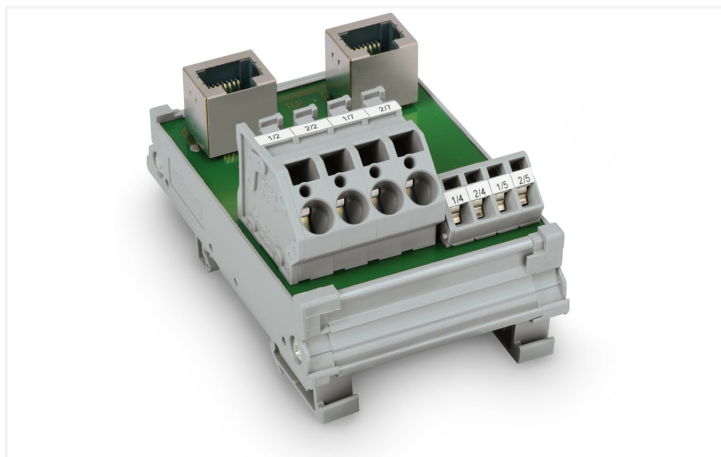


Data Sheet | Item Number: 289-965

Interface module; 2xRJ-45; PCB terminal blocks, double-row; in mounting carrier

<https://www.wago.com/289-965>



Short description:

Compatible on the field side with the 789-620, 789-621 and 789-622 Current Sensors

Required terminal assignment:

2: + Supply

7: - Supply

4: D+

5: D-

Electrical data

Nominal current	1.5 A
Insulation resistance	≥ 500 MΩ

Safety and protection

Dielectric strength (contact/contact) (AC, 1 min)	0.5 kVrms
---	-----------

Connection data

Mating cycles	500
Connection cable	RJ-45 cable assembly (recommended: UTP)

Connection 1

Connector	2 x RJ-45 (shielded)
Pole number 1	8
Connection type 1	System
Note (conductor cross-section)	12 AWG: THHN, THWN

Connection 2

Design 2	PCB terminal blocks
Pole number 2	8
Connection type 2	Clamping units 2, 7
Connection technology 2	CAGE CLAMP®
WAGO connector 2	WAGO 236 Series
Solid conductor 2	0.08 ... 2.5 mm ² / 28 ... 12 AWG
Fine-stranded conductor 2	0.08 ... 2.5 mm ² / 28 ... 12 AWG
Strip length 2	5 ... 6 mm / 0.2 ... 0.24 inches

Connection 3

Design 3	PCB terminal blocks
Pole number 3	4
Connection type 3	Clamping units 4, 5
Connection technology 3	CAGE CLAMP®
WAGO connector 3	WAGO 745 Series
Solid conductor 3	0.2 ... 6 mm ² / 24 ... 10 AWG
Fine-stranded conductor 3	0.2 ... 6 mm ² / 24 ... 10 AWG
Strip length 3	11 ... 12 mm / 0.43 ... 0.47 inches

Physical data

Width	58 mm / 2.283 inches
Height	85 mm / 3.346 inches
Depth from upper-edge of DIN-rail	45 mm / 1.772 inches

Mechanical data

Mounting type	DIN-35 rail
Housing design	Mounting carrier
Mating cycles	500

Material data

Fire load	1.038 MJ
Weight	70 g

Environmental requirements

Ambient temperature (operation)	-20 ... +85 °C
---------------------------------	----------------

Commercial data

Product Group	6 (INTERFACE ELECTRONIC)
eCl@ss 10.0	27-14-11-52
eCl@ss 9.0	27-14-11-52
ETIM 8.0	EC001132
ETIM 7.0	EC001132
PU (SPU)	5 (1) pcs
Packaging type	Box
Country of origin	DE
GTIN	4045454830038
Customs tariff number	85366990990

Environmental Product Compliance

RoHS Compliance Status	Compliant, No Exemption
------------------------	-------------------------

Downloads

Environmental Product Compliance

Compliance Search

Environmental Product
Compliance 289-965



Documentation

Bid Text			
289-965	19.02.2019	xml 3.89 KB	↓
289-965	04.03.2019	docx 14.75 KB	↓

Instruction Leaflet	
pdf 1246.19 KB	↓

CAD/CAE-Data

CAD data	
2D/3D Models 289-965	↓

CAE data	
WSCAD Universe 289-965	↓
ZUKEN Portal 289-965	↓