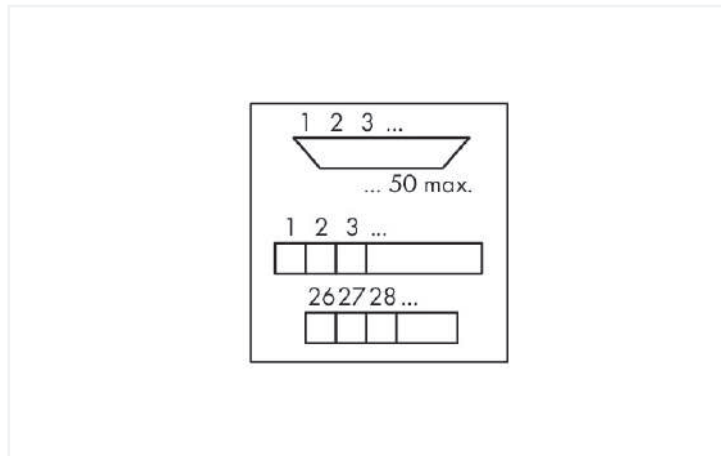
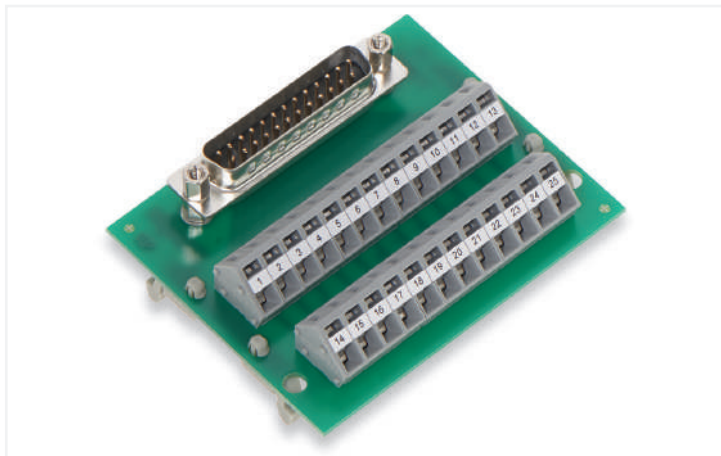


Data Sheet | Item Number: 289-445

Interface module; with solder pin; Male connector; 9-pole; Mating connector with solder connection; Vertical mounting; PCB terminal blocks, double-row; with mounting feet; 2,50 mm²



<https://www.wago.com/289-445>



Similar to illustration

Electrical data

Operating voltage	≤30 VAC; ≤50 VDC
Nominal current	1 A
Contact resistance (max.)	30 mΩ

Safety and protection

Rated voltage	50 V
Rated surge voltage	0.8 kV
Pollution degree	2
Protection type	IP00; Notice! Live parts can be easily touched! Protection against direct contact must be provided by the equipment manufacturer, e.g., using a WAGO 709 Series Cover (see "Accessories") or a similar cover. The installation guidelines must be observed for each individual application.
Insulation type	Basic insulation

Connection data

Performance level	2 / 200 mating cycles
Strain relief	UNC 4-40 stud bolt

Connection 1

Connector	D-subminiature male connector
Pole number 1	9
Connection type 1	System
Note (conductor cross-section)	12 AWG: THHN, THWN
Mating direction	vertical

Connection 2

Design 2	PCB terminal blocks (double-row)
Pole number 2	9
Connection type 2	Field
Connection technology 2	CAGE CLAMP®
WAGO connector 2	WAGO 236 Series
Solid conductor 2	0.08 ... 2.5 mm ² / 28 ... 12 AWG
Fine-stranded conductor 2	0.08 ... 2.5 mm ² / 28 ... 12 AWG
Strip length 2	5 ... 6 mm / 0.2 ... 0.24 inches

Physical data

Width	38 mm / 1.496 inches
Height	63.5 mm / 2.5 inches
Depth from upper-edge of DIN-rail	19 mm / 0.748 inches

Mechanical data

Mounting type	DIN-35 rail
Housing design	PCB with mounting feet

Material data

Contact material (connector)	Au over Ni
Fire load	0.054 MJ
Weight	24.7 g

Environmental requirements

Ambient temperature (operation)	-20 ... +50 °C
Ambient temperature (storage)	-40 ... +70 °C
Relative humidity	≤ 85% (non-condensing)

Standards and specifications

Standards/specifications	EN 61010-2-201
--------------------------	----------------

Commercial data

Product Group	6 (INTERFACE ELECTRONIC)
eCl@ss 10.0	27-14-11-52
eCl@ss 9.0	27-14-11-52
ETIM 8.0	EC002780
ETIM 7.0	EC002780
PU (SPU)	25 (1) pcs
Packaging type	Box
Country of origin	DE
GTIN	4045454367107
Customs tariff number	85366990990

Environmental Product Compliance

CAS-No.	7439-92-1
REACH Candidate List Substance	Lead
RoHS Compliance Status	Compliant,With Exemption
RoHS Exemption	6(c) 7(a) 7(c)-I 7(c)-II
SCIP notification number (Austria)	f6f34124-5997-4bb6-88cb-79a4ea0d10c1
SCIP notification number (Belgium)	dc3fac1c-474a-433e-9cd1-9f7975dfe386
SCIP notification number (Bulgaria)	8425726f-12d2-41d2-9a80-1cc6b1e5f065
SCIP notification number (Czech Republic)	340c1a7e-0ebb-4888-b6f5-bf608ed6087d
SCIP notification number (Denmark)	c49092f0-5d30-4da8-9899-aa4a424a7211
SCIP notification number (Finland)	008676ad-47b0-422c-adb2-3577ac7e7a96
SCIP notification number (France)	235af48a-fad9-4e4b-aaeb-70f2e2e6e263
SCIP notification number (Germany)	242f2721-9f4e-42c8-8906-3342d83893dd
SCIP notification number (Hungary)	611c15b2-4a1a-437f-86e4-00ba7f72c599
SCIP notification number (Italy)	9574028a-336b-4d6d-a799-9bda0cef6376

Environmental Product Compliance	
SCIP notification number (Netherlands)	f1ab783c-f94a-4563-8e8f-6cb329511767
SCIP notification number (Poland)	018b6a92-3b87-4572-8e3b-75ba6f269d35
SCIP notification number (Romania)	c7b81add-4814-496d-9a18-5a9c6295321f
SCIP notification number (Sweden)	f4611b51-97c4-428b-a913-efd74126e58c

Downloads

Environmental Product Compliance

Compliance Search

Environmental Product Compliance 289-445 [↓](#)

Documentation

Bid Text				Instruction Leaflet	
289-445	06.02.2015	doc 26.00 KB	↓		pdf 1246.19 KB

CAD/CAE-Data

CAD data		CAE data	
2D/3D Models 289-445	↓	EPLAN Data Portal 289-445	↓
		WSCAD Universe 289-445	↓
		ZUKEN Portal 289-445	↓

1 Compatible Products

1.1 Optional Accessories

1.1.1 Installation

1.1.1.1 Cover



Item No.: 709-153
 Cover; Type 1; suitable for cover carrier, type 1; 1 m long; transparent

1.1.1.2 Cover carrier



Item No.: 709-167

Cover carrier; Type 1; incl. fixing/retaining screws and knurled nut; suitable for 279 to 282 and 880 Series rail-mounted terminal blocks; suitable for 264 Series miniature rail-mounted terminal blocks; suitable for 270 Series sensor and actuator terminal blocks; gray

1.1.2 Tool

1.1.2.1 Operating tool

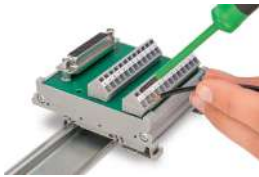


Item No.: 210-720

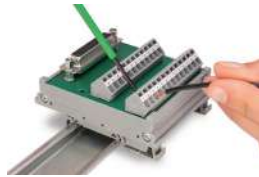
Operating tool; Blade: 3.5 x 0.5 mm; with a partially insulated shaft; multicoloured

Installation Notes

Conductor termination



Conductor termination – screwdriver actuation parallel to conductor entry



Conductor termination – screwdriver actuation perpendicular to conductor entry