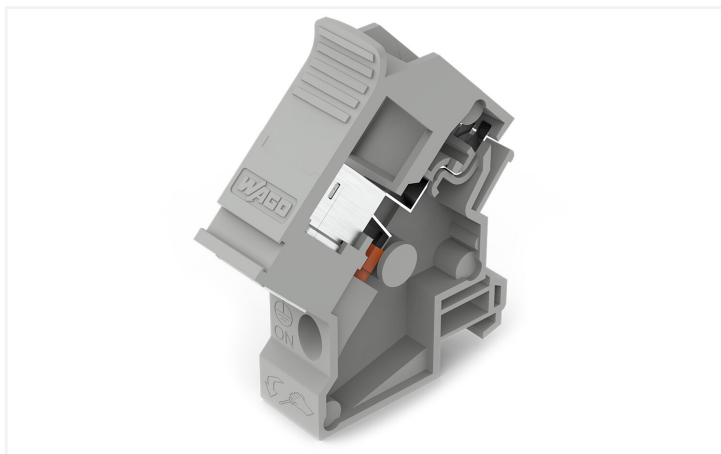


Data Sheet | Item Number: 289-197

Interface module; RJ-45; IDC technology; Cat. 6A; in mounting carrier; with shield connection

<https://www.wago.com/289-197>



Electrical data

Contact resistance (max.)	5 mΩ
Specialty functions	With shield connection

Safety and protection

Protection type	IP20
-----------------	------

Connection data

Mating cycles	750
Connection cable	Cat. 6A (min.)

Connection 1

Connector	RJ-45 (shielded)
Pole number 1	8
Connection type 1	System

Connection 2

Pole number 2	8
Connection type 2	System
Connection technology 2	IDC connection
Solid conductor 2	0.4 ... 0.65 mm ² / 26 ... 22 AWG
Stranded conductor 2	0.4 ... 0.65 mm ² / 26/7 ... 22/7 AWG
Strip length 2	4.5 ... 9.6 mm / 0.18 ... 0.38 inches

Physical data

Width	18 mm / 0.709 inches
Height	90 mm / 3.543 inches
Depth from upper-edge of DIN-rail	59 mm / 2.323 inches

Mechanical data

Mounting type	DIN-35 rail
Housing design	Mounting carrier
Mating cycles	750

Material data

Contact material (connector)	CuSn
Fire load	0 MJ
Weight	39 g

Environmental requirements

Ambient temperature (operation)	-10 ... +60 °C
Ambient temperature (storage)	-40 ... +70 °C
Relative humidity	≤ 95% (non-condensing)

Commercial data

ETIM 8.0	EC002780
ETIM 7.0	EC002780
PU (SPU)	1 pcs
Packaging type	Bag
Country of origin	PL
GTIN	4066966083484
Customs tariff number	85366990990

Environmental Product Compliance

RoHS Compliance Status	Compliant, No Exemption
------------------------	-------------------------

Approvals / Certificates

Approvals for marine applications



Approval	Standard	Certificate Name
DNV DNV Germany GmbH	DNV-CG-0339, Aug. 2021	TAE00004KF

Downloads

Environmental Product Compliance




Compliance Search

Environmental Product
Compliance 289-197





Documentation

Bid Text

289-197	docx 14.97 KB	
289-197	xml 3.97 KB	
ausschreiben.de 289-197		

Instruction Leaflet

Übergabemodul; RJ-45; Schneidklemmtechnik; Cat. 6A;	12.2019 11.05.2023	pdf 295.40 KB	
Übergabemodul; RJ-45; Schneidklemmtechnik; Cat. 6A;	11.05.2023	png 170.36 KB	

CAD/CAE-Data

CAD data

2D/3D Models 289-197	
----------------------	---

CAE data

EPLAN Data Portal 289-197	
------------------------------	---