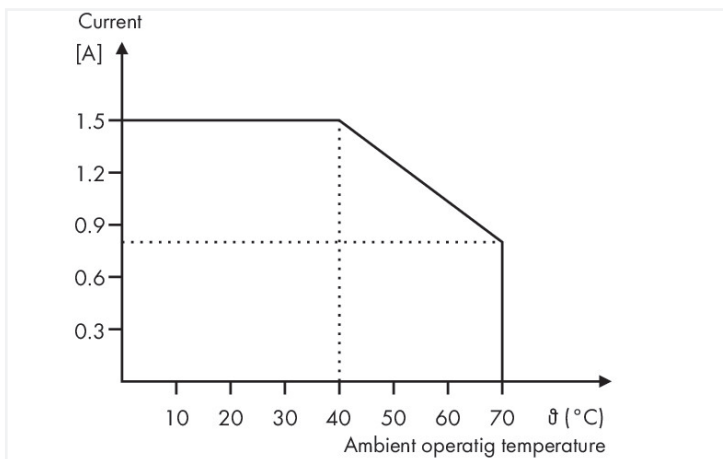
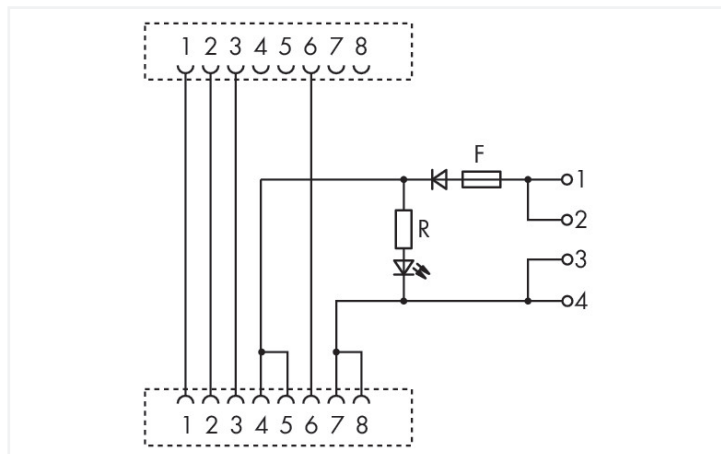
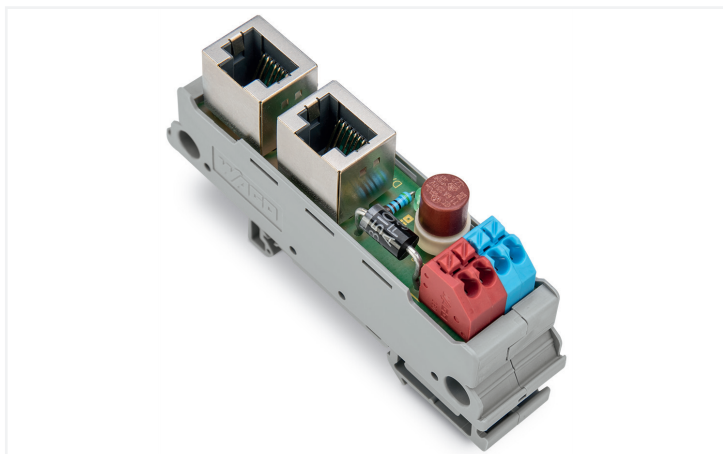


<https://www.wago.com/289-196>



Current-carrying capacity curve

Features:

- Interface module with RJ-45 connector for ETHERNET
- Passive PoE-injector
- For up to 100 Mbit/s, Cat. 5
- Cabinet wiring with preassembled RJ-45-patch cables

Electrical data	
Operating voltage	≤48 VDC
Nominal current	1.5 A
Insulation resistance	≥ 500 MΩ
Specialty functions	Passive PoE injector With LED, fuse

Safety and protection

Dielectric strength (contact/contact) (AC, 1 min)	1 kVrms
---	---------

Connection data

Mating cycles	500
Transmission length (max.)	100 m
Connection cable	Cat. 5 (min.)

Connection 1

Connector	RJ-45 (shielded)
Pole number 1	8
Connection type 1	System

Connection 2

Connector 2	RJ-45 (shielded)
Pole number 2	8
Connection type 2	System

Connection 3

Pole number 3	4
Connection type 3	Power supply
Connection technology 3	Push-in CAGE CLAMP®
WAGO connector 3	WAGO 250 Series
Solid conductor 3	0.2 ... 1.5 mm ² / 24 ... 16 AWG
Fine-stranded conductor 3	0.2 ... 1.5 mm ² / 24 ... 16 AWG
Strip length 3	8.5 ... 9.5 mm / 0.33 ... 0.37 inches

Physical data

Width	20.5 mm / 0.807 inches
Height	85 mm / 3.346 inches
Depth from upper-edge of DIN-rail	51 mm / 2.007 inches

Mechanical data

Mounting type	DIN-35 rail
Housing design	Mounting carrier
Mating cycles	500

Material data

Fire load	0.772 MJ
Weight	32 g

Environmental requirements

Ambient temperature (operation)	0 ... +70 °C
Ambient temperature (storage)	-40 ... +85 °C
Relative humidity	≤ 85% (non-condensing)

Commercial data

eCl@ss 10.0	27-14-11-52
eCl@ss 9.0	27-14-11-52
ETIM 8.0	EC002780
ETIM 7.0	EC002780
PU (SPU)	5 pcs
Packaging type	Box
Country of origin	DE
GTIN	4055143572637
Customs tariff number	85366990990

Environmental Product Compliance

RoHS Compliance Status

Compliant, No Exemption

Downloads

Environmental Product Compliance

Compliance Search

Environmental Product
Compliance 289-196



Documentation

Instruction Leaflet

pdf
1246.19 KB



CAD/CAE-Data

CAD data

2D/3D Models 289-196



CAE data

EPLAN Data Portal
289-196

