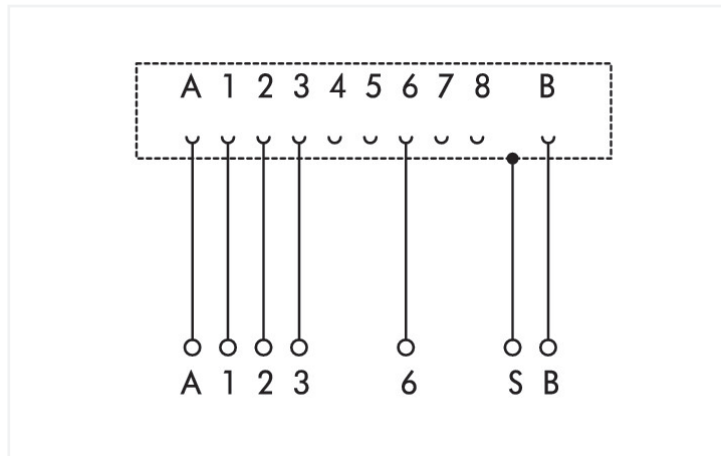
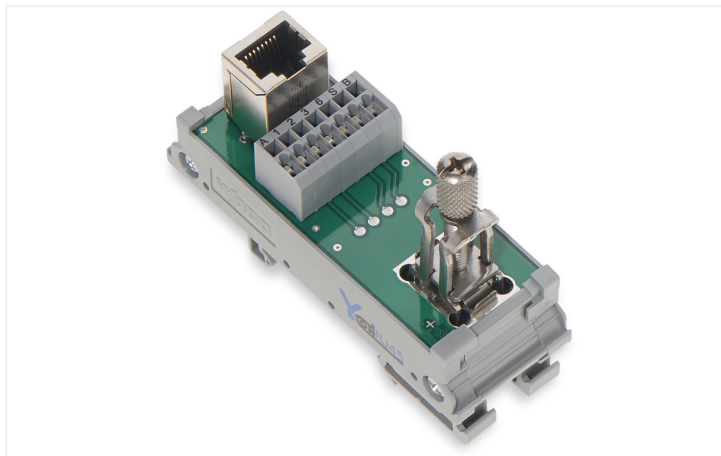


## Data Sheet | Item Number: 289-178

Interface module; RJ-45; with power jumper contacts; PCB terminal blocks; Cat. 5; in mounting carrier; with shield connection; with shield clamping saddle; 1,50 mm<sup>2</sup>



<https://www.wago.com/289-178>



### Electrical data

Operating voltage	≤35 VAC; ≤50 VDC
Nominal current	2.1 A
Insulation resistance	≥ 500 MΩ
Specialty functions	With power jumper contacts With shield connection With shield clamping saddle

### Safety and protection

Dielectric strength (contact/contact) (AC, 1 min)	1 kVrms
---	---------

### Connection data

Mating cycles	1000
Transmission length (max.)	100 m
Connection cable	Cat. 5 (min.)
WAGO shield clamping saddle	11 mm wide; cable diameter up to 8 mm

### Connection 1

Connector	RJ-45 (shielded); with two additional power contacts
Pole number 1	10
Connection type 1	System

### Connection 2

Design 2	PCB terminal blocks
Pole number 2	7
Connection type 2	System
Connection technology 2	CAGE CLAMP®
WAGO connector 2	WAGO 739 Series
Solid conductor 2	0.08 ... 1.5 mm <sup>2</sup> / 28 ... 14 AWG
Fine-stranded conductor 2	0.08 ... 1.5 mm <sup>2</sup> / 28 ... 14 AWG
Strip length 2	5 ... 6 mm / 0.2 ... 0.24 inches

### Physical data

Width	30 mm / 1.181 inches
Height	85 mm / 3.346 inches
Depth from upper-edge of DIN-rail	67 mm / 2.638 inches

### Mechanical data

Mounting type	DIN-35 rail
Housing design	Mounting carrier
Mating cycles	1000

### Material data

Fire load	0.83 MJ
Weight	51.7 g

### Environmental requirements

Ambient temperature (operation)	-40 ... +85 °C (Actuation: -35 ... +85 °C)
Ambient temperature (storage)	-40 ... +85 °C
Relative humidity	≤ 85% (non-condensing)

### Standards and specifications

Standards/specifications	DNV
--------------------------	-----

### Commercial data

Product Group	6 (INTERFACE ELECTRONIC)
eCl@ss 10.0	19-17-90-01
eCl@ss 9.0	19-17-90-01
ETIM 8.0	EC001121
ETIM 7.0	EC001121
PU (SPU)	10 (1) pcs
Packaging type	Box
Country of origin	DE
GTIN	4045454326142
Customs tariff number	85366990990

### Environmental Product Compliance

RoHS Compliance Status	Compliant, No Exemption
------------------------	-------------------------

### Approvals / Certificates

#### Approvals for marine applications



Approval	Standard	Certificate Name
DNV DNV Germany GmbH	DNV-CG-0339, Aug. 2021	TAA00001D1
PRS Polski Rejestr Statków	-	TE/2186/880590/18

Downloads

Environmental Product Compliance

Compliance Search

Environmental Product Compliance 289-178



Documentation

Bid Text

289-178	19.02.2019	xml 3.82 KB	
289-178	09.02.2015	doc 26.00 KB	

Instruction Leaflet

pdf  
1246.19 KB



CAD/CAE-Data

CAD data

2D/3D Models 289-178



CAE data

EPLAN Data Portal  
289-178



WSCAD Universe  
289-178



ZUKEN Portal 289-178



1 Compatible Products

1.1 Optional Accessories

1.1.1 Marking

1.1.1.1 Marking strip



[Item No.: 709-196](#)

Marking strips; for laser printer; translucent



[Item No.: 709-177](#)

Marking strips; on reel; 7.5 mm wide; not stretchable; plain; snap-on type; translucent



[Item No.: 709-178](#)

Marking strips; on reel; 7.5 mm wide; not stretchable; plain; snap-on type; white

1.1.2 Tool

### 1.1.2.1 Operating tool



**Item No.: 210-719**

Operating tool; Blade: 2.5 x 0.4 mm; with a partially insulated shaft