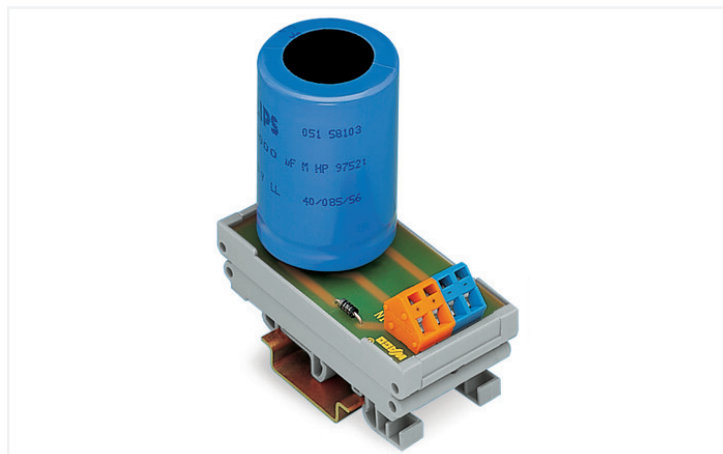


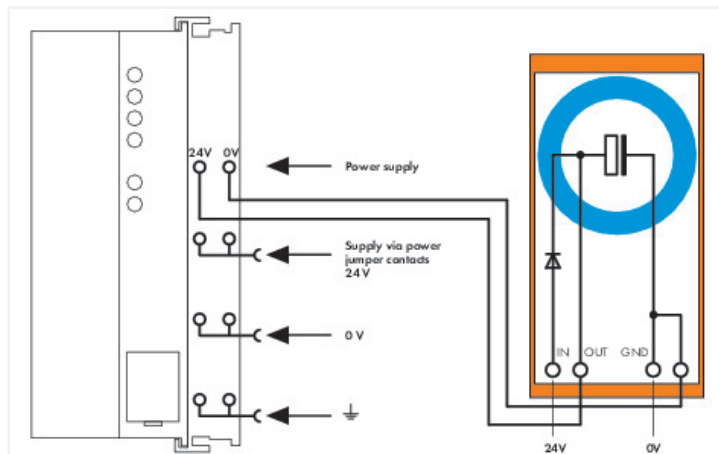
Data Sheet | Item Number: 288-824

Component module with capacitor; 1 pcs; Capacity: 10 mF; Nominal voltage: 24 VDC; 2,50 mm²; gray

<https://www.wago.com/288-824>



Color: ■ gray



WAGO's back-up capacitor module smoothes unstable 24 VDC power supplies for electronic modules in case the voltage tolerances mentioned in our data sheets cannot be ensured. Reasons for voltage transients could be:

- Power interruptions (switching transients) on primary side
- Overloads on secondary side
- Switching of inductive or capacitive loads
- The back-up capacitor module is connected between the 24 V power supply and the electronic device to be protected.

Notes

Safety information

Notice: Using insufficiently smoothed and unregulated single-phase power supplies may lead to voltage increases by the back-up capacitor module.

Technical data

Input

Nominal input voltage $U_{i, \text{nom}}$	DC 24 V
Input voltage range	0 ... +25 %
Input current I_i	≤ 1 A

Energy storage system

Nominal capacity	10000 μ F
------------------	---------------

Connection data

Connection technology	CAGE CLAMP®
WAGO connector	WAGO 236 Series
Solid conductor	0.08 ... 2.5 mm ² / 28 ... 12 AWG
Fine-stranded conductor	0.08 ... 2.5 mm ² / 28 ... 12 AWG
Strip length	5 ... 6 mm / 0.2 ... 0.24 inches

Physical data

Width	38 mm / 1.496 inches
Height	85 mm / 3.346 inches
Depth from upper-edge of DIN-rail	81 mm / 3.189 inches

Mechanical data

Mounting type	DIN-35 rail
---------------	-------------

Material data

Color	gray
Fire load	0.884 MJ
Weight	101.6 g

Standards and specifications

Conformity marking	CE
--------------------	----

Commercial data

Product Group	6 (INTERFACE ELECTRONIC)
eCl@ss 10.0	27-04-07-01
eCl@ss 9.0	27-04-07-01
ETIM 8.0	EC002540
ETIM 7.0	EC002540
PU (SPU)	8 (1) pcs
Packaging type	Box
Country of origin	DE
GTIN	4045454649593
Customs tariff number	8532220000

Environmental Product Compliance

CAS-No.	7439-92-1 79-94-7
REACH Candidate List Substance	2,2',6,6'-tetrabromo-4,4'-isopropylidenediphenol Lead
RoHS Compliance Status	Compliant,With Exemption
RoHS Exemption	6(c) 7(a) 7(c)-I 7(c)-II
SCIP notification number (Austria)	5f79e0aa-2f0b-49f4-b003-dcd5ad5c3506
SCIP notification number (Belgium)	a4d10e7f-4810-4932-8c96-ec9e9bbc1777
SCIP notification number (Bulgaria)	5bdb77e1-746c-498e-aafc-50d004df968f
SCIP notification number (Czech Republic)	7d64f929-7103-4f3e-aac1-4db1205a602c
SCIP notification number (Denmark)	e2b69e29-763d-4c72-919c-bd9c6e2c4d7a
SCIP notification number (Finland)	30e8b00e-a9db-4ae1-9ae3-e0493b74c2f2
SCIP notification number (France)	1b9d452b-68f6-496c-8243-047124270fa6
SCIP notification number (Germany)	5d2ddd3e-b428-4503-b936-4a5bd0c66b20
SCIP notification number (Hungary)	f2df32dd-8798-4896-ad13-3de66f63f74c
SCIP notification number (Italy)	2923de86-1705-457c-89a0-678fdb089258
SCIP notification number (Netherlands)	781b42a9-6019-4810-bacc-9b9953777f98
SCIP notification number (Poland)	222639a1-4bf7-486f-a8ed-4815b4dbff98
SCIP notification number (Romania)	ae94b7d7-f10a-4504-97b5-a47bcd10c034
SCIP notification number (Sweden)	5b380c20-fa31-44b9-91b1-58591f758868

Downloads

Environmental Product Compliance



Compliance Search

Environmental Product Compliance 288-824



Documentation

Bid Text

288-824	19.02.2019	xml 4.02 KB	
288-824	09.01.2019	docx 14.88 KB	

Instruction Leaflet



	pdf 1246.19 KB	
--	-------------------	---

CAD/CAE-Data

CAD data

2D/3D Models 288-824	
----------------------	---

CAE data

EPLAN Data Portal 288-824	
WSCAD Universe 288-824	
ZUKEN Portal 288-824	