

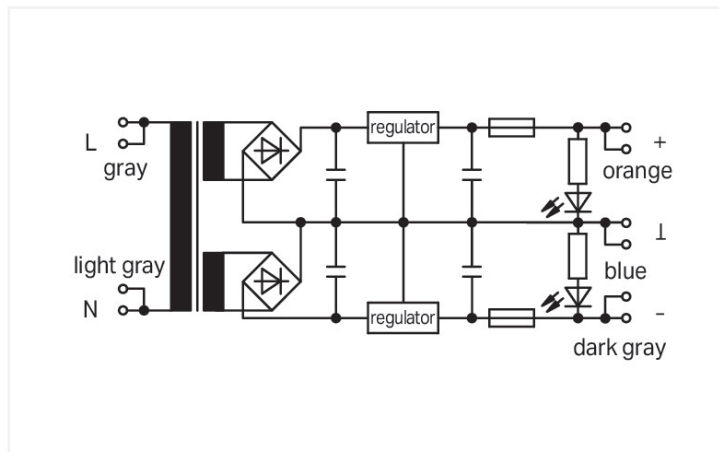
Data Sheet | Item Number: 288-815

stabilized power supply; Input voltage: 230 VAC; ± 15 VDC output voltage; 2 x 0.5 A output current; in mounting carrier; 2,50 mm²

<https://www.wago.com/288-815>



Similar to illustration



Technical data

Input

Phases	1
Nominal input voltage $U_{i, \text{nom}}$	1 x AC 230 V
Input voltage range	$\pm 10\%$
Nominal mains frequency range	50 ... 60 Hz

Output

Nominal output voltage $U_{o, \text{nom}}$	DC 15 / -15 V
Output voltage range	$\pm 4\%$
Nominal output current $I_{o, \text{nom}}$	2 x 0.5 A
Residual ripple	≤ 10 mV (peak-to-peak)

Efficiency/power losses

Power loss (max.) $P_{I(\text{max})}$	27 W
---------------------------------------	------

Circuit protection

Internal fuse	2 x T 0.8 A
---------------	-------------

Safety and protection

Protection class	III
Protection type	IP00; per EN 60529
Pollution degree	2
Series operation	No

Connection data

Connection technology	CAGE CLAMP®
WAGO connector	WAGO 236 Series
Solid conductor	0.08 ... 2.5 mm ² / 28 ... 12 AWG
Fine-stranded conductor	0.08 ... 2.5 mm ² / 28 ... 12 AWG
Strip length	5 ... 6 mm / 0.2 ... 0.24 inches
Note (conductor cross-section)	12 AWG: THHN, THWN

Physical data

Width	94 mm / 3.701 inches
Height	106 mm / 4.173 inches
Depth from upper-edge of DIN-rail	57 mm / 2.244 inches

Mechanical data

Mounting type	DIN-35 rail
---------------	-------------

Material data

Fire load	1.397 MJ
Weight	681.8 g

Environmental requirements

Ambient temperature (operation)	0 ... +40 °C
---------------------------------	--------------

Standards and specifications

Conformity marking	CE
--------------------	----

Commercial data

Product Group	6 (INTERFACE ELECTRONIC)
eCl@ss 10.0	27-04-07-01
eCl@ss 9.0	27-04-07-01
ETIM 8.0	EC002540
ETIM 7.0	EC002540
PU (SPU)	1 pcs
Packaging type	Box
Country of origin	DE
GTIN	4050821155515
Customs tariff number	85044083900

Environmental Product Compliance

CAS-No.	7439-92-1 79-94-7
REACH Candidate List Substance	2,2',6,6'-tetrabromo-4,4'-isopropylidenediphenol Lead
RoHS Compliance Status	Compliant,With Exemption
RoHS Exemption	6(c) 7(a) 7(c)-I 7(c)-II
SCIP notification number (Austria)	318d28b4-169d-4049-8c49-476eddad18b8
SCIP notification number (Belgium)	613a637d-4cf1-44f4-8aee-1f20e883f629
SCIP notification number (Bulgaria)	a52b8aa0-1e85-4b7b-9408-ae8bf205c29a
SCIP notification number (Czech Republic)	188232d1-ecbb-4dab-b6c5-79a03e4c0ac1
SCIP notification number (Denmark)	7eddfda7-823f-47b1-9428-8fd062091992
SCIP notification number (Finland)	8ce47e0d-653c-44cc-acaf-383ddb7b871b
SCIP notification number (France)	376a5b24-1909-4c4c-9a6d-eb10d31eba1f
SCIP notification number (Germany)	4bde2143-59f5-4405-b2d5-7f34018fa910
SCIP notification number (Hungary)	32cc4aa5-ea72-4a2b-a088-b314e0af0fec
SCIP notification number (Italy)	6728f342-a3ef-4823-81a5-78826fd022e7
SCIP notification number (Netherlands)	6f6c0920-8845-41ba-8cbf-7d755aa9a645
SCIP notification number (Poland)	f593958d-bc0f-4899-a114-ddbbc7836865
SCIP notification number (Romania)	4a822f3e-e573-42a6-bc38-59de3d7e2a31

Environmental Product Compliance

SCIP notification number (Sweden)

64c53bfe-6174-4ed9-8e80-34ab7f8367dd

Approvals / Certificates

General approvals



Approval	Standard	Certificate Name
EAC Brjansker Zertifizierungs- stelle	TP TC 020/2011	EAC_Certificate_RU_C- DE.AM02.B.00115_19

Downloads

Environmental Product Compliance

Compliance Search

Environmental Product Compliance 288-815	↓
---	---

Documentation

Bid Text

288-815	19.02.2019	xml 3.62 KB	↓
288-815	06.02.2015	doc 25.50 KB	↓

Instruction Leaflet

	pdf 1246.19 KB	↓
--	-------------------	---

CAD/CAE-Data

CAE data

EPLAN Data Portal 288-815	↓
WSCAD Universe 288-815	↓

1 Compatible Products

1.1 Optional Accessories

1.1.1 Marking

1.1.1.1 Marking strip



Item No.: 709-196

Marking strips; for laser printer; translucent



Item No.: 210-831

Marking strips; on reel; 2.3 mm wide; plain; Self-adhesive; white



Item No.: 210-832

Marking strips; on reel; 3 mm wide; plain; Self-adhesive; white



Item No.: 709-177

Marking strips; on reel; 7.5 mm wide; not stretchable; plain; snap-on type; translucent



Item No.: 709-178

Marking strips; on reel; 7.5 mm wide; not stretchable; plain; snap-on type; white

1.1.2 Tool

1.1.2.1 Operating tool



Item No.: 210-720

Operating tool; Blade: 3.5 x 0.5 mm; with a partially insulated shaft; multicoloured