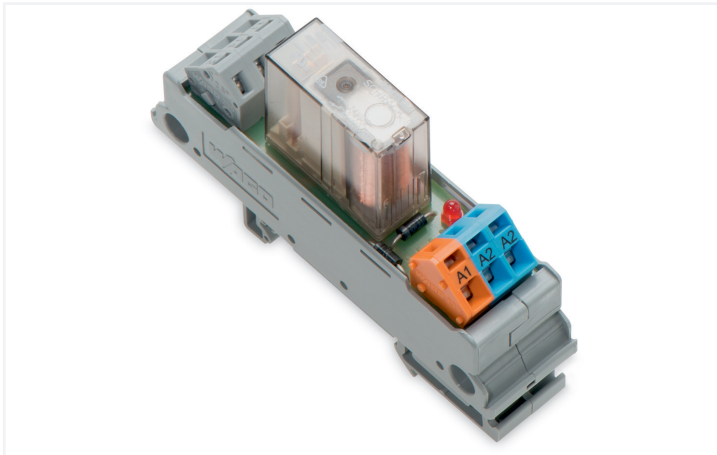


Data Sheet | Item Number: 288-504

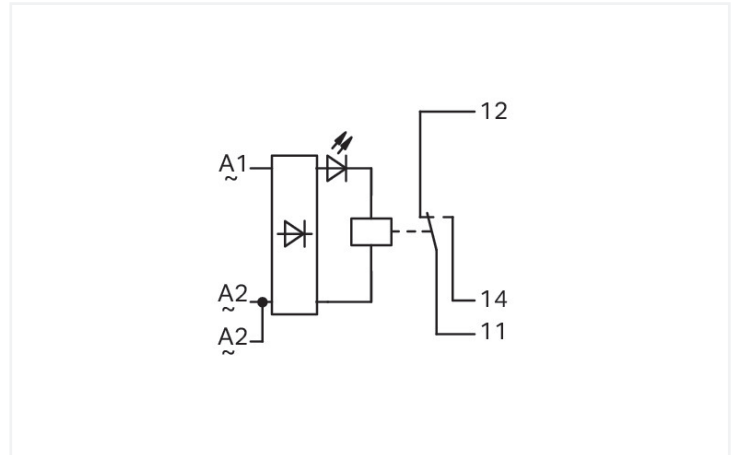
Relay module; Nominal input voltage: 24 V AC/DC; 1 changeover contact; 2,50 mm²; gray

<https://www.wago.com/288-504>



Color: ■ gray

Similar to illustration



Technical data

Control circuit

| | |
|--------------------------------|------------|
| Nominal input voltage U_N | AC/DC 24 V |
| Input voltage range | $\pm 10\%$ |
| Nominal input current at U_N | 22 mA |

Load circuit

| | |
|---|--|
| Number of changeover/switchover contacts | 1 |
| Contact material (relay) | AgNi 90/10 |
| Limiting continuous current | 6 A |
| Inrush current (resistive) max. | (AC) 16 A / 4 s |
| Switching voltage (max.) | AC 250 V |
| Switching power (resistive) max. | AC 1500 VA |
| Pull-in time (typ.) | 9 ms |
| Drop-out time (typ.) | 3 ms |
| Bounce time (typ.) | 2 ms |
| Electrical life (NO; resistive load; 23 °C) | 100 x 10 ³ switching operations |
| Mechanical life | 30 x 10 ⁶ switching operations |

Safety and protection

| | |
|--|---------|
| Rated voltage | 300 V |
| Rated surge voltage | 2.5 kV |
| Pollution degree | 2 |
| Dielectric strength (control/load circuit) (AC, 1 min) | 4 kVrms |
| Dielectric strength (open contact) (AC, 1 min) | 1 kVrms |

Connection data

| | |
|-------------------------|--|
| Connection technology | CAGE CLAMP® |
| Solid conductor | 0.08 ... 2.5 mm ² / 28 ... 12 AWG |
| Fine-stranded conductor | 0.08 ... 2.5 mm ² / 28 ... 12 AWG |
| Strip length | 5 ... 6 mm / 0.2 ... 0.24 inches |

Physical data

| | |
|-----------------------------------|------------------------|
| Width | 20.5 mm / 0.807 inches |
| Height | 85 mm / 3.346 inches |
| Depth from upper-edge of DIN-rail | 48 mm / 1.89 inches |

Mechanical data

| | |
|---------------|-------------|
| Mounting type | DIN-35 rail |
|---------------|-------------|

Material data

| | |
|-----------|----------|
| Color | gray |
| Fire load | 0.929 MJ |
| Weight | 39.5 g |

Environmental requirements

| | |
|--|----------------|
| Ambient temperature (operation at U _N) | -25 ... +40 °C |
| Ambient temperature (storage) | -40 ... +80 °C |
| Processing temperature | -25 ... +50 °C |

Standards and specifications

| | |
|--------------------------|------------|
| Standards/specifications | EN 60664-1 |
|--------------------------|------------|

Commercial data

| | |
|-----------------------|--------------------------|
| Product Group | 6 (INTERFACE ELECTRONIC) |
| eCl@ss 10.0 | 27-37-16-01 |
| eCl@ss 9.0 | 27-37-16-01 |
| ETIM 8.0 | EC001437 |
| ETIM 7.0 | EC001437 |
| PU (SPU) | 5 pcs |
| Packaging type | Box |
| Country of origin | CN |
| GTIN | 4055143559119 |
| Customs tariff number | 85364900990 |

Environmental Product Compliance

| | |
|------------------------|-------------------------|
| RoHS Compliance Status | Compliant, No Exemption |
|------------------------|-------------------------|

Approvals / Certificates

General approvals



| Approval | Standard | Certificate Name |
|---|----------------|---------------------------------|
| EAC Brjansker Zertifizierungs- stelle | TP TC 004/2011 | EAC RU C-DE.AM02. B.00122/19 |

Declarations of conformity and manufacturer's declarations

| Approval | Standard | Certificate Name |
|---|----------|------------------|
| EU-Declaration of Confor- mity WAGO GmbH & Co. KG | - | - |
| UK-Declaration of Confor- mity WAGO GmbH & Co. KG | - | - |

Downloads

Environmental Product Compliance

Compliance Search

Environmental Product Compliance 288-504



Documentation

Bid Text

| | | | |
|---------|------------|------------------|--|
| 288-504 | 20.02.2019 | docx 16.09 KB | |
| 288-504 | 19.02.2019 | xml 3.98 KB | |

Instruction Leaflet

pdf
1246.19 KB



CAD/CAE-Data

CAD data

2D/3D Models 288-504



CAE data

EPLAN Data Portal 288-504



WSCAD Universe 288-504



ZUKEN Portal 288-504



1 Compatible Products

1.1 Optional Accessories

1.1.1 Marking

1.1.1.1 Marking strip



Item No.: 709-196

Marking strips; for laser printer; translucent



Item No.: 709-177

Marking strips; on reel; 7.5 mm wide; not stretchable; plain; snap-on type; translucent



Item No.: 709-178

Marking strips; on reel; 7.5 mm wide; not stretchable; plain; snap-on type; white

1.1.2 Tool

1.1.2.1 Operating tool

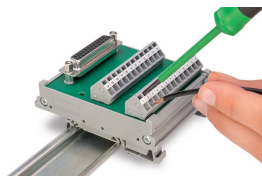


Item No.: 210-720

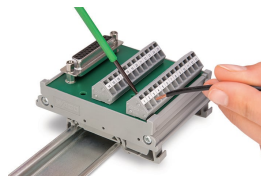
Operating tool; Blade: 3.5 x 0.5 mm; with a partially insulated shaft; multicoloured

Installation Notes

Conductor termination

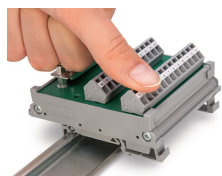


Conductor termination – screwdriver ac-
tuation parallel to conductor entry

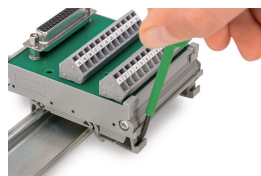


Conductor termination – screwdriver ac-
tuation perpendicular to conductor entry

Installation



Snapping a module onto DIN-rail.



Removing a module from the DIN-rail.