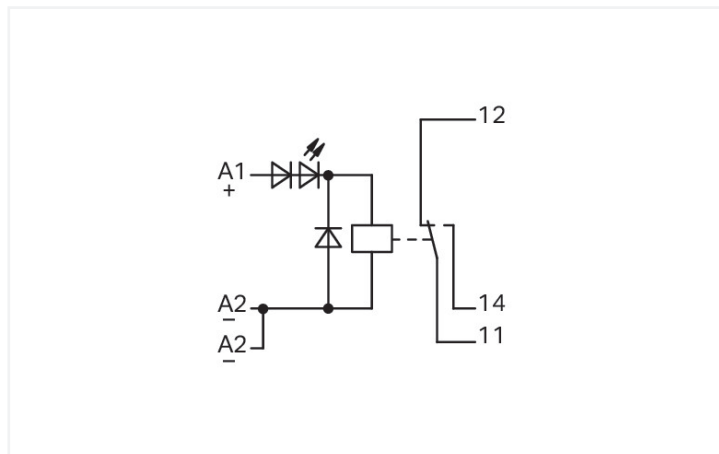
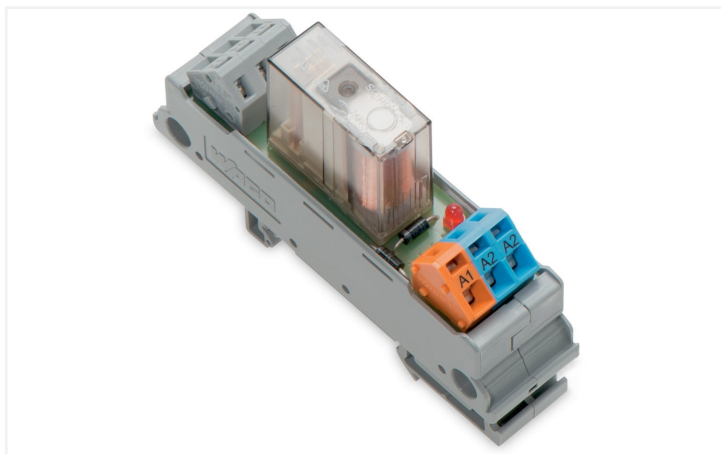


Data Sheet | Item Number: 288-304

Relay module; Nominal input voltage: 24 VDC; 1 changeover contact; Limiting continuous current: 6 A; Module width: 21 mm; 2,50 mm²; gray

<https://www.wago.com/288-304>



Color: ■ gray

Notes

Note

- Reinforced insulation between control and load side per EN 61010-2-201

Technical data

Control circuit

Nominal input voltage U_N	DC 24 V
Input voltage range	±10 %
Nominal input current at U_N	22 mA

Load circuit

Number of changeover/switchover contacts	1
Contact material (relay)	AgNi 90/10
Limiting continuous current	6 A
Inrush current (resistive) max.	(AC) 16 A / 4 s
Switching voltage (max.)	AC 250 V
Switching power (resistive) max.	AC 1500 VA
Pull-in time (typ.)	9 ms
Drop-out time (typ.)	3 ms
Bounce time (typ.)	2 ms
Electrical life (NO; resistive load; 23 °C)	100 x 10 ³ switching operations
Mechanical life	30 x 10 ⁶ switching operations

Safety and protection

Rated voltage	300 V
Overvoltage category	II
Pollution degree	2
Dielectric strength (control/load circuit) (AC, 1 min)	4 kVrms
Dielectric strength (open contact) (AC, 1 min)	1 kVrms

Connection data

Connection technology	CAGE CLAMP®
Solid conductor	0.08 ... 2.5 mm ² / 28 ... 12 AWG
Fine-stranded conductor	0.08 ... 2.5 mm ² / 28 ... 12 AWG
Strip length	5 ... 6 mm / 0.2 ... 0.24 inches

Physical data

Width	20.5 mm / 0.807 inches
Height	85 mm / 3.346 inches
Depth from upper-edge of DIN-rail	48 mm / 1.89 inches

Mechanical data

Mounting type	DIN-35 rail
---------------	-------------

Material data

Color	gray
Fire load	1.033 MJ
Weight	45 g

Environmental requirements

Ambient temperature (operation at U _N)	-25 ... +40 °C
Ambient temperature (storage)	-40 ... +80 °C
Processing temperature	-25 ... +50 °C
Relative humidity	5 ... 75 % (non-condensing)

Standards and specifications

Standards/specifications	EN 61010-2-201
--------------------------	----------------

Commercial data

Product Group	6 (INTERFACE ELECTRONIC)
eCl@ss 10.0	27-37-16-01
eCl@ss 9.0	27-37-16-01
ETIM 8.0	EC001437
ETIM 7.0	EC001437
PU (SPU)	10 (1) pcs
Packaging type	Box
Country of origin	CN
GTIN	4045454468033
Customs tariff number	85364900990

Environmental Product Compliance

CAS-No.	7439-92-1 79-94-7
REACH Candidate List Substance	2,2',6,6'-tetrabromo-4,4'-isopropylidenediphenol Lead
RoHS Compliance Status	Compliant,With Exemption
RoHS Exemption	6(c) 7(a) 7(c)-I 7(c)-II
SCIP notification number (Austria)	d018b739-53e8-42b3-87a2-624542f953d5
SCIP notification number (Belgium)	3cfb7a70-68a9-4954-9c89-c2fe289a4d6f
SCIP notification number (Bulgaria)	0e164143-232e-4d5b-8e7c-66b01c11fdbf
SCIP notification number (Czech Republic)	ab74f637-d1e0-4a5b-99fc-7b381dc6339c
SCIP notification number (Denmark)	5225a512-d643-4bfc-ad4b-535499d9a3cf
SCIP notification number (Finland)	2e9aedd1-9120-49ae-9134-93cf46c97b9f
SCIP notification number (France)	ef7bc1ed-834d-4324-b243-137318355e68
SCIP notification number (Germany)	7c9b0dd4-3a93-43ad-98f7-c1005df99464
SCIP notification number (Hungary)	e4938b9a-32d8-4d2a-8cf1-a0f92746e456
SCIP notification number (Italy)	bd03d75b-7bc1-4273-9c9e-dd6c34008bf1
SCIP notification number (Netherlands)	08d33b71-aa54-42a4-bf52-5db20297cb7c
SCIP notification number (Poland)	7a4a0269-0fd0-4d3f-975f-991fef56aaa1
SCIP notification number (Romania)	eea7f9a2-b6ad-4c58-bef8-6e90ad97aff9
SCIP notification number (Sweden)	793b3109-62da-4977-be57-ab4c86f50829

Approvals / Certificates

General approvals			Declarations of conformity and manufacturer's declarations		
			Approval	Standard	Certificate Name
			EAC Brjansker Zertifizierungs- stelle	TP TC 004/2011	EAC RU C-DE.AM02. B.00122/19
			Approval	Standard	Certificate Name
			EU-Declaration of Confor- mity WAGO GmbH & Co. KG	-	-
			UK-Declaration of Confor- mity WAGO GmbH & Co. KG	-	-

Downloads

Environmental Product Compliance

Compliance Search
Environmental Product Compliance 288-304

Documentation

Bid Text			
288-304	19.02.2019	xml 3.98 KB	↓
288-304	20.02.2019	docx 16.08 KB	↓

Instruction Leaflet	
pdf	1246.19 KB ↓

CAD/CAE-Data	
CAD data	CAE data
2D/3D Models 288-304 ↓	EPLAN Data Portal 288-304 ↓
	WSCAD Universe 288-304 ↓
	ZUKEN Portal 288-304 ↓

1 Compatible Products

1.1 Optional Accessories

1.1.1 Marking

1.1.1.1 Marking strip



Item No.: 709-196

Marking strips; for laser printer; translucent



Item No.: 709-177

Marking strips; on reel; 7.5 mm wide; not stretchable; plain; snap-on type; translucent



Item No.: 709-178

Marking strips; on reel; 7.5 mm wide; not stretchable; plain; snap-on type; white

1.1.2 Tool

1.1.2.1 Operating tool

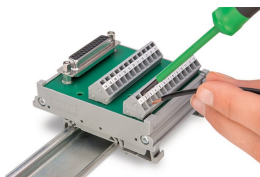


Item No.: 210-720

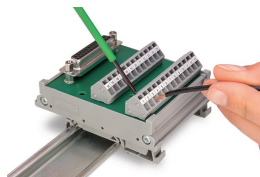
Operating tool; Blade: 3.5 x 0.5 mm; with a partially insulated shaft; multicoloured

Installation Notes

Conductor termination

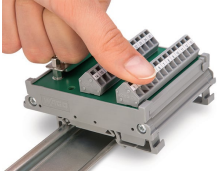


Conductor termination – screwdriver actuation parallel to conductor entry

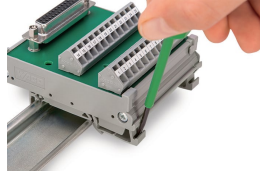


Conductor termination – screwdriver actuation perpendicular to conductor entry

Installation



Snapping a module onto DIN-rail.



Removing a module from the DIN-rail.