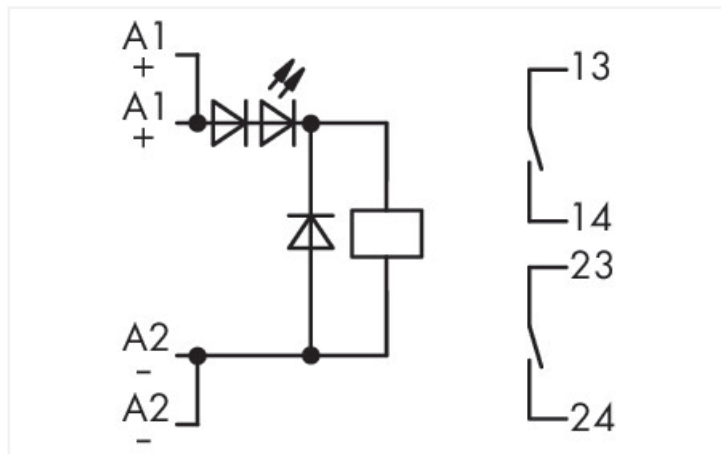
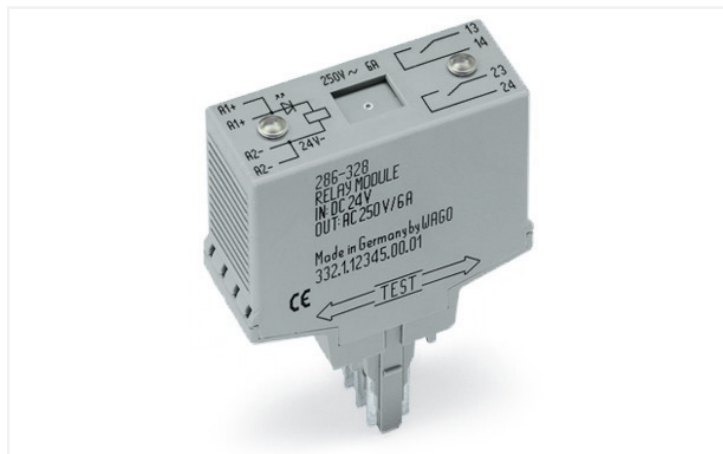


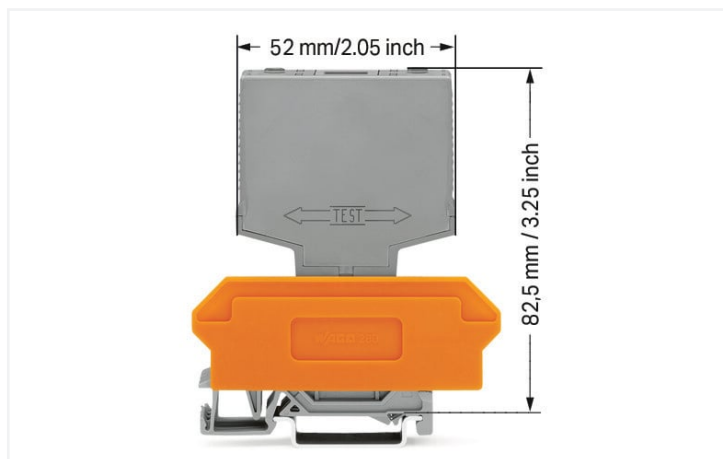
## Data Sheet | Item Number: 286-328

Relay module; Nominal input voltage: 24 VDC; 2 make contact; Limiting continuous current: 6 A; Red status indicator; Module width: 20 mm; gray

<https://www.wago.com/286-328>



Color: ■ gray



### Technical data

#### Control circuit

Nominal input voltage $U_N$	DC 24 V
Input voltage range	$\pm 10\%$
Nominal input current at $U_N$	8 mA

#### Load circuit

Number of make/switch-on contacts	2
Contact material (relay)	AgSnO <sub>2</sub>
Limiting continuous current	6 A
Inrush current (resistive) max.	(AC) 15 A / 1 s
Switching voltage (max.)	AC 250 V
Switching power (resistive) max.	AC 1500 VA
Pull-in time (typ.)	10 ms
Drop-out time (typ.)	4 ms
Bounce time (typ.)	1 ms
Electrical life (NO; resistive load; 23 °C)	100 x 10 <sup>3</sup> switching operations
Mechanical life	50 x 10 <sup>6</sup> switching operations

### Signaling

Status indicator	Red LED
------------------	---------

### Safety and protection

Rated voltage	300 V
Rated surge voltage	4 kV
Overvoltage category	II
Pollution degree	2
Dielectric strength (control/load circuit) (AC, 1 min)	3 kVrms
Dielectric strength (open contact) (AC, 1 min)	1 kVrms
Dielectric strength (load/load circuit) (AC, 1 min)	1.5 kVrms
Insulation type (control/load circuit)	Reinforced insulation (safe isolation)
Insulation type (load/load circuit)	Functional insulation
Insulation type (between adjacent devices of the same type)	Reinforced insulation (safe isolation)
Protection type	IP20

### Physical data

Width	20 mm / 0.787 inches
Height from upper-edge of DIN-rail	82.5 mm / 3.248 inches
Depth	52 mm / 2.047 inches

### Mechanical data

Mounting type	Pluggable module for receptacle terminal blocks
---------------	---

### Material data

Color	gray
Fire load	0.412 MJ
Weight	28.5 g

### Environmental requirements

Ambient temperature (operation at $U_N$ )	-25 ... +40 °C
Ambient temperature (storage)	-25 ... +70 °C
Processing temperature	-25 ... +50 °C
Relative humidity	5 ... 93 % (no condensation permissible)
Operating altitude (max.)	2000 m

### Standards and specifications

Standards/specifications	EN 61010-2-201
--------------------------	----------------

### Commercial data

Product Group	6 (INTERFACE ELECTRONIC)
eCl@ss 10.0	27-37-16-01
eCl@ss 9.0	27-37-16-01
ETIM 8.0	EC001437
ETIM 7.0	EC001437
PU (SPU)	10 (1) pcs
Packaging type	Box
Country of origin	DE
GTIN	4045454319540
Customs tariff number	85364900990

**Environmental Product Compliance**

CAS-No.	7439-92-1 79-94-7
REACH Candidate List Substance	2,2',6,6'-tetrabromo-4,4'-isopropylidenediphenol Lead
RoHS Compliance Status	Compliant,With Exemption
RoHS Exemption	7(a) 7(c)-I 7(c)-II
SCIP notification number (Austria)	9ec331bc-4e3f-4a6f-a0b5-541d7bf95266
SCIP notification number (Belgium)	ad41781b-e80b-48f9-a959-b0543994faf7
SCIP notification number (Bulgaria)	3dbcb743-ecea-4504-89e0-e4b455be2431
SCIP notification number (Czech Republic)	090ee38e-ef53-4f90-9a7f-f43f601b0feb
SCIP notification number (Denmark)	e3f21f7b-83e9-4f09-8502-9010a9097ff3
SCIP notification number (Finland)	03ab8861-c498-492f-9a62-43ba997cc89e
SCIP notification number (France)	685a717a-c093-4a4b-96e9-ab4f048cdcc5
SCIP notification number (Germany)	ca6ddf7-c4de-4e2a-bfd5-7717e12733d1
SCIP notification number (Hungary)	6b876fc6-fc87-4840-8c03-c3c0c0a85f7e
SCIP notification number (Italy)	ee635f1f-4d3c-49a8-b1dd-e712c9283c29
SCIP notification number (Netherlands)	8bd75dca-8da8-44ac-bde3-c0c8e8093933
SCIP notification number (Poland)	4e1ff327-c58c-4927-af20-324698879275
SCIP notification number (Romania)	2481b2b6-e784-41d0-adc7-1dea3ddc97b7
SCIP notification number (Sweden)	10af2af1-14c1-458b-977b-316abee978dd

**Approvals / Certificates**

**General approvals**      **Declarations of conformity and manufacturer's declarations**



Approval	Standard	Certificate Name
EAC Brjansker Zertifizierungs- stelle	TP TC 004/2011	EAC RU C-DE.AM02. B.00122/19

Approval	Standard	Certificate Name
EU-Declaration of Confor- mity WAGO GmbH & Co. KG	-	-
UK-Declaration of Confor- mity WAGO GmbH & Co. KG	-	-

**Downloads**

**Environmental Product Compliance**

**Compliance Search**

Environmental Product  
Compliance 286-328

**Documentation**

Bid Text			
286-328	19.02.2019	xml 3.79 KB	<a href="#">↓</a>
286-328	22.03.2018	doc 27.00 KB	<a href="#">↓</a>

Instruction Leaflet	
pdf 1246.19 KB	<a href="#">↓</a>

CAD/CAE-Data	
<b>CAD data</b>	<b>CAE data</b>
2D/3D Models 286-328 <a href="#">↓</a>	WSCAD Universe 286-328 <a href="#">↓</a>
	ZUKEN Portal 286-328 <a href="#">↓</a>

## 1 Compatible Products

### 1.1 Optional Accessories

#### 1.1.1 Marking

##### 1.1.1.1 Marker



**Item No.: 209-701**  
WSB marking card; as card; not stretchable; plain; snap-on type; white

### 1.1.2 Terminal blocks

#### 1.1.2.1 Terminal block for pluggable modules



**Item No.: 280-638**  
Terminal block for pluggable modules; 8-pole; with 2-conductor terminal blocks; with orange separator; for DIN-rail 35 x 15 and 35 x 7.5; 2.5 mm<sup>2</sup>; CAGE CLAMP®; 2,50 mm<sup>2</sup>; gray



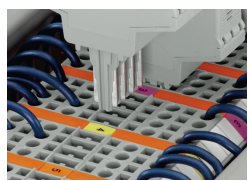
**Item No.: 280-764**  
Terminal block for pluggable modules; 8-pole; with 4-conductor terminal blocks; with marker carrier; with orange separator; for DIN-rail 35 x 15 and 35 x 7.5; 2.5 mm<sup>2</sup>; CAGE CLAMP®; 2,50 mm<sup>2</sup>; gray



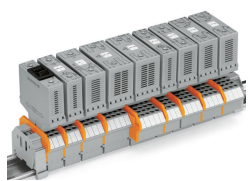
**Item No.: 280-628**  
Terminal block for pluggable modules; 8-pole; with 4-conductor terminal blocks; with orange separator; for DIN-rail 35 x 15 and 35 x 7.5; 2.5 mm<sup>2</sup>; CAGE CLAMP®; 2,50 mm<sup>2</sup>; gray

## Installation Notes

### Installation



Coding ensures correct polarity.



Pluggable electronic modules on 2- or 4-conductor carrier terminal blocks

## Marking



Marking via WMB Multi Marking System.

## Testing



Function testing via touch-proof test slots