

# Data Sheet | Item Number: 286-312/004-000

Relay module; Nominal input voltage: 24 VDC; 2 changeover contacts; Limiting continuous current: 5 A; Railway; Red status indicator; Module width: 20 mm; gray

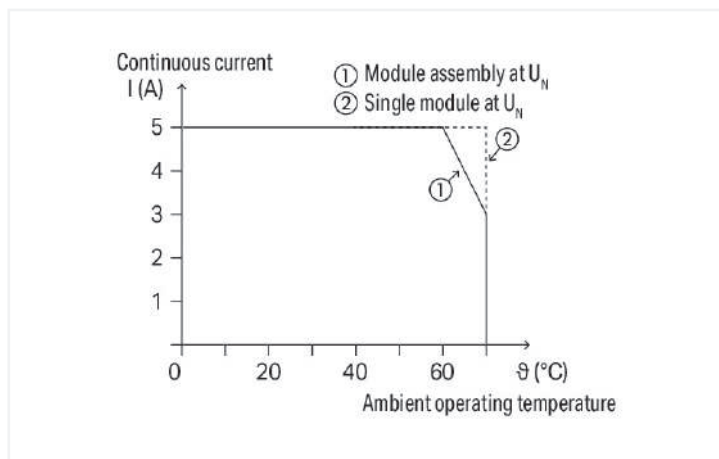
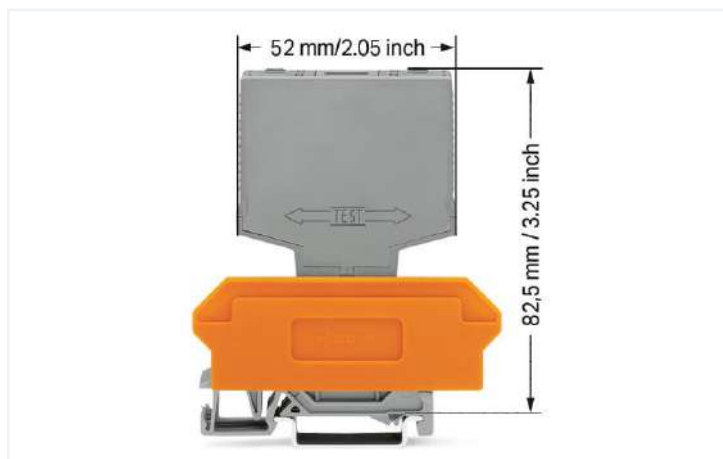
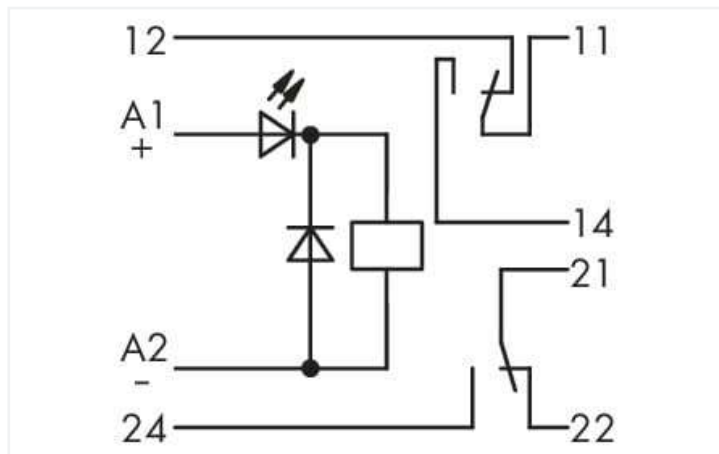


<https://www.wago.com/286-312/004-000>



Color: ■ gray

Similar to illustration



Current carrying capacity curve

## Technical data

### Control circuit

Nominal input voltage $U_N$	DC 24 V
Input voltage range	-30 ... +25 %
Nominal input current at $U_N$	40 mA

### Load circuit

Number of changeover/switchover contacts	2
Contact material (relay)	AgNi 0.15
Limiting continuous current	5 A
Switching voltage (max.)	AC 250 V
Switching power (resistive) max.	AC 1750 VA
Pull-in time (typ.)	18 ms
Drop-out time (typ.)	3 ms
Bounce time (typ.)	2 ms

## Signaling

Status indicator	Red LED
------------------	---------

### Safety and protection

Rated voltage	250 V
Rated surge voltage	4 kV
Pollution degree	2
Dielectric strength (control/load circuit) (AC, 1 min)	2 kVrms
Dielectric strength (open contact) (AC, 1 min)	1 kVrms
Dielectric strength (load/load circuit) (AC, 1 min)	1.5 kVrms
Protection type	IP20

### Physical data

Width	20 mm / 0.787 inches
Height from upper-edge of DIN-rail	82.5 mm / 3.248 inches
Depth	52 mm / 2.047 inches

### Mechanical data

Mounting type	Pluggable module for receptacle terminal blocks
---------------	---

### Material data

Color	gray
Fire load	0.512 MJ
Weight	39.8 g

### Environmental requirements

Ambient temperature (operation at $U_N$ )	-25 ... +70 °C
Ambient temperature (storage)	-25 ... +70 °C
Processing temperature	-25 ... +50 °C
Relative humidity	5 ... 85 % (no condensation permissible)
Operating altitude (max.)	2000 m

### Standards and specifications

Standards/specifications	EN 60664-1
--------------------------	------------

### Commercial data

Product Group	6 (INTERFACE ELECTRONIC)
eCl@ss 10.0	27-37-16-01
eCl@ss 9.0	27-37-16-01
ETIM 8.0	EC001437
ETIM 7.0	EC001437
PU (SPU)	10 (1) pcs
Packaging type	Box
Country of origin	DE
GTIN	4055143105002
Customs tariff number	85364900990

## Environmental Product Compliance

CAS-No.	7439-92-1 79-94-7 80-05-7
REACH Candidate List Substance	2,2',6,6'-tetrabromo-4,4'-isopropylidenediphenol 4,4'-isopropylidenediphenol Lead
RoHS Compliance Status	Compliant,With Exemption
RoHS Exemption	7(a) 7(c)-I 7(c)-II
SCIP notification number (Austria)	9c84a57e-6690-4ae0-9b63-573818a80080
SCIP notification number (Belgium)	a7eef949-7200-4d35-b29b-5d0e86ceca81
SCIP notification number (Bulgaria)	c1b1adff-2ba4-442e-91fe-e02eef35c46d
SCIP notification number (Czech Republic)	ebf71a7e-a340-4b97-8abc-7bb4b2d39739
SCIP notification number (Denmark)	9f55582a-ef02-4cf9-96e0-584092645892
SCIP notification number (Finland)	cc55ab8c-d42d-4e6c-8e64-08e510c11311
SCIP notification number (France)	6582b6ef-a2d6-4492-b1fa-40f844f1d063
SCIP notification number (Germany)	d8071b10-b64f-45c7-867a-c339837127d7
SCIP notification number (Hungary)	731c5638-6be0-4cb6-8914-944ef8a7213f
SCIP notification number (Italy)	fd20a48b-c587-4c30-83ff-2b899f3644d9
SCIP notification number (Netherlands)	20e1bf2f-b5f9-48da-8f09-661a466e2a7c
SCIP notification number (Poland)	8c887e13-7e60-40aa-88c2-cd70326ad14b
SCIP notification number (Romania)	9627ad70-e850-4f6b-9e58-2f8921c9b7c9
SCIP notification number (Sweden)	218f7f48-2845-41d9-a59f-a9bd5b96e945

## Approvals / Certificates

### General approvals



Approval	Standard	Certificate Name
EAC Brjansker Zertifizierungs- stelle	TP TC 004/2011	EAC RU C-DE.AM02. B.00122/19

## Downloads

### Environmental Product Compliance

#### Compliance Search

Environmental Product  
Compliance  
286-312/004-000



## Documentation

Bid Text			
286-312/004-000	19.02.2019	xml 3.82 KB	<a href="#">↓</a>
286-312/004-000	27.03.2015	doc 27.00 KB	<a href="#">↓</a>

Instruction Leaflet	
pdf 1246.19 KB	<a href="#">↓</a>

## CAD/CAE-Data

CAE data	
WSCAD Universe 286-312/004-000	<a href="#">↓</a>

## 1 Compatible Products

### 1.1 Optional Accessories

#### 1.1.1 Marking

##### 1.1.1.1 Marker



**Item No.: 209-701**

WSB marking card; as card; not stretchable; plain; snap-on type; white

#### 1.1.2 Terminal blocks

##### 1.1.2.1 Terminal block for pluggable modules



**Item No.: 280-638**

Terminal block for pluggable modules; 8-pole; with 2-conductor terminal blocks; with orange separator; for DIN-rail 35 x 15 and 35 x 7.5; 2.5 mm<sup>2</sup>; CAGE CLAMP®; 2,50 mm<sup>2</sup>; gray



**Item No.: 280-764**

Terminal block for pluggable modules; 8-pole; with 4-conductor terminal blocks; with marker carrier; with orange separator; for DIN-rail 35 x 15 and 35 x 7.5; 2.5 mm<sup>2</sup>; CAGE CLAMP®; 2,50 mm<sup>2</sup>; gray



**Item No.: 280-628**

Terminal block for pluggable modules; 8-pole; with 4-conductor terminal blocks; with orange separator; for DIN-rail 35 x 15 and 35 x 7.5; 2.5 mm<sup>2</sup>; CAGE CLAMP®; 2,50 mm<sup>2</sup>; gray

## Installation Notes

### Installation



Coding ensures correct polarity.



Pluggable electronic modules on 2- or 4-conductor carrier terminal blocks

## Marking



Marking via WMB Multi Marking System.

## Testing



Function testing via touch-proof test slots