

Data Sheet | Item Number: 286-304

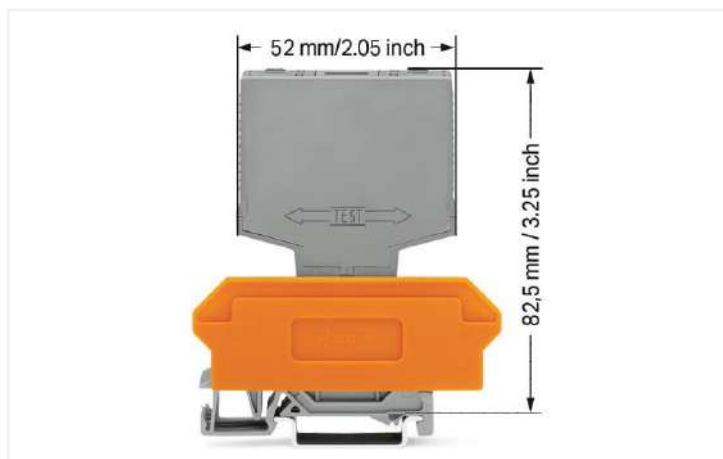
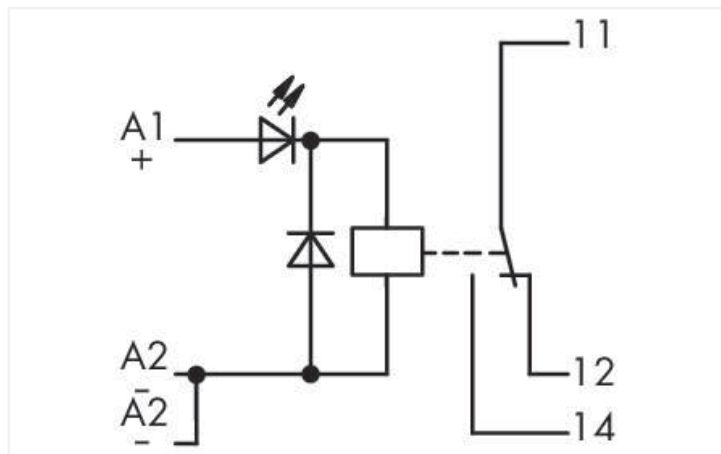
Relay module; Nominal input voltage: 24 VDC; 1 changeover contact; Limiting continuous current: 7 A; Red status indicator; Module width: 15 mm; gray



<https://www.wago.com/286-304>



Color: ■ gray



Technical data

Control circuit

Nominal input voltage U_N	DC 24 V
Input voltage range	$\pm 10\%$
Nominal input current at U_N	20 mA

Load circuit

Number of changeover/switchover contacts	1
Contact material (relay)	AgNi 0.15
Limiting continuous current	7 A
Switching voltage (max.)	AC 250 V
Switching power (resistive) max.	AC 1750 VA
Pull-in time (typ.)	8 ms
Drop-out time (typ.)	6 ms
Bounce time (typ.)	4 ms
Electrical life (NO; resistive load; 23 °C)	100 x 10 ³ switching operations
Mechanical life	30 x 10 ⁶ switching operations

Signaling

Status indicator	Red LED
------------------	---------

Safety and protection

Rated voltage	250 V
Rated surge voltage	4 kV
Pollution degree	2
Dielectric strength (control/load circuit) (AC, 1 min)	4 kVrms
Dielectric strength (open contact) (AC, 1 min)	1 kVrms
Protection type	IP20

Physical data

Width	15 mm / 0.591 inches
Height from upper-edge of DIN-rail	82.5 mm / 3.248 inches
Depth	52 mm / 2.047 inches

Mechanical data

Mounting type	Pluggable module for receptacle terminal blocks
---------------	---

Material data

Color	gray
Fire load	0.345 MJ
Weight	34.9 g

Environmental requirements

Ambient temperature (operation at U_N)	-25 ... +40 °C
Ambient temperature (storage)	-25 ... +70 °C
Processing temperature	-25 ... +50 °C
Relative humidity	5 ... 85 % (no condensation permissible)
Operating altitude (max.)	2000 m

Standards and specifications

Standards/specifications	EN 60664-1
--------------------------	------------

Commercial data

Product Group	6 (INTERFACE ELECTRONIC)
eCl@ss 10.0	27-37-16-01
eCl@ss 9.0	27-37-16-01
ETIM 8.0	EC001437
ETIM 7.0	EC001437
PU (SPU)	15 (1) pcs
Packaging type	Box
Country of origin	DE
GTIN	4045454319465
Customs tariff number	85364900990

Environmental Product Compliance

CAS-No.	7439-92-1 79-94-7
REACH Candidate List Substance	2,2',6,6'-tetrabromo-4,4'-isopropylidenediphenol Lead
RoHS Compliance Status	Compliant,With Exemption
RoHS Exemption	7(a) 7(c)-I 7(c)-II
SCIP notification number (Austria)	71c58e3c-a87e-41a4-8a80-e6e3d1dd099b
SCIP notification number (Belgium)	667f0cb8-2825-45da-86d6-0a28634cb55f
SCIP notification number (Bulgaria)	a7c96c7b-4d5a-4c04-a477-34eaf3cb2653
SCIP notification number (Czech Republic)	346a99b5-bdf1-473a-bb88-f590ba06fb42
SCIP notification number (Denmark)	e946ac96-fe04-4b3a-bcb1-377265f415f5
SCIP notification number (Finland)	4fbcd912-9387-4118-9c55-2e2111c37290
SCIP notification number (France)	00017164-6a53-4cff-b5db-0ec23a2c7651
SCIP notification number (Germany)	5c2d757a-70f4-4016-b303-47a4d30883da
SCIP notification number (Hungary)	69953d94-9ef8-408a-b43b-40de0aac994a
SCIP notification number (Italy)	93a1e1fe-187b-4464-9e64-29d035e5367d
SCIP notification number (Netherlands)	e40ba410-8fc6-425f-b190-19964b2e1824
SCIP notification number (Poland)	b9df5c41-202b-4bad-9bd3-6920755b5f70
SCIP notification number (Romania)	723b5020-576b-4067-8859-858834f01692
SCIP notification number (Sweden)	c177ba99-f840-4cb2-aa31-2af6ac3139b3

Approvals / Certificates

General approvals **Declarations of conformity and manufacturer's declarations**



Approval	Standard	Certificate Name
EAC Brjansker Zertifizierungs- stelle	TP TC 004/2011	EAC RU C-DE.AM02. B.00122/19

Approval	Standard	Certificate Name
EU-Declaration of Confor- mity WAGO GmbH & Co. KG	-	-

Downloads

Environmental Product Compliance

Compliance Search
Environmental Product Compliance 286-304

Documentation

Bid Text			
286-304	19.02.2019	xml 3.69 KB	↓
286-304	22.03.2018	doc 26.00 KB	↓

Instruction Leaflet	
pdf 1246.19 KB	↓

CAD/CAE-Data	
CAD data	CAE data
2D/3D Models 286-304 ↓	WSCAD Universe 286-304 ↓
	ZUKEN Portal 286-304 ↓

- 1 Compatible Products
- 1.1 Optional Accessories
- 1.1.1 Marking
- 1.1.1.1 Marker



Item No.: 209-701
WSB marking card; as card; not stretchable; plain; snap-on type; white

- 1.1.2 Terminal blocks
- 1.1.2.1 Terminal block for pluggable modules



Item No.: 280-619
Terminal block for pluggable modules; 6-pole; with 2-conductor terminal blocks; with orange separator; for DIN-rail 35 x 15 and 35 x 7.5; 2.5 mm²; CAGE CLAMP®; 2,50 mm²; gray



Item No.: 280-763
Terminal block for pluggable modules; 6-pole; with 4-conductor terminal blocks; with marker carrier; with orange separator; for DIN-rail 35 x 15 and 35 x 7.5; 2.5 mm²; CAGE CLAMP®; 2,50 mm²; gray

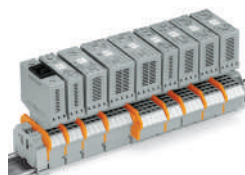


Item No.: 280-609
Terminal block for pluggable modules; 6-pole; with 4-conductor terminal blocks; with orange separator; for DIN-rail 35 x 15 and 35 x 7.5; 2.5 mm²; CAGE CLAMP®; 2,50 mm²; gray

- Installation Notes
- Installation



Coding ensures correct polarity.



Pluggable electronic modules on 2- or 4-conductor carrier terminal blocks

Marking



Marking via WMB Multi Marking System.

Testing



Function testing via touch-proof test slots