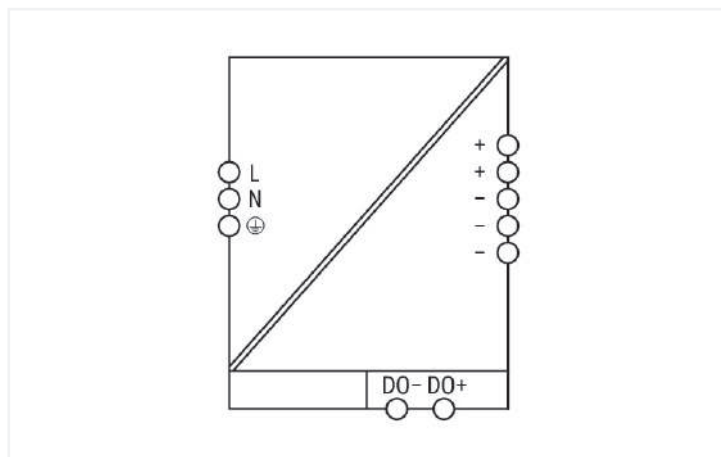


Data Sheet | Item Number: 2687-2146

Power supply; Eco 2; 1-phase; 24 VDC output voltage; 10 A output current; DC OK contact

<https://www.wago.com/2687-2146>



Features:

- Signal output, optical status indication
- Suitable for both parallel and series operation
- Natural convection cooling when horizontally mounted
- Connection technology with push-in termination and tool-free lever operation
- Electrically isolated output voltage (SELV/PELV) per EN 61010/UL 61010
- Marker slot (2789-1233, not included) for WAGO marking cards (WMB) and WAGO marking strips

Technical data

Input

Phases	1
Nominal input voltage $U_{i, nom}$	1 x AC 100 ... 240 V
Input voltage range	1 x AC 90 ... 264 V
Nominal mains frequency range	50 ... 60 Hz; 0 Hz
Input current I_i	≤ 1.1 A (230 VAC; nominal load); ≤ 2.7 A (100 VAC; nominal load)
Inrush current	≤ 25 A (after 1 ms)
Power factor correction (PFC)	active
Mains failure hold-up time	≥ 25 ms (230 VAC)

Output

Nominal output voltage $U_{o, nom}$	DC 24 V (SELV)
Output voltage range	DC 23 ... 28 V (adjustable)
Default setting	DC 24 V
Nominal output current $I_{o, nom}$	10 A (24 VDC)
Nominal output power	240 W
Deviation	≤ 1 %
Residual ripple	≤ 75 mV (peak-to-peak)
Overload behavior	Constant current up to 105 ... 110 %; shutdown and automatic restart in the event of a short circuit

Signaling and communication

Signaling	Optical status indication (overload) Optical status indication (DC OK) Digital signal output (DO)
-----------	---

Efficiency/power losses

Power loss P_i	≤ 3 W (230 VAC; no load); ≤ 13 W (230 VAC; nominal load)
Efficiency (typ.)	93 %

Circuit protection

Internal fuse	T 6.3 A / 250 VAC
---------------	-------------------

Safety and protection

Isolation voltage (pri.-sec., AC)	3510 V
Isolation voltage (pri.-PE, AC)	2200 V
Isolation voltage (sec.-PE)	DC 0.5 kV
Isolation voltage (sec.-signal)	DC 0.5 kV
Protection class	I
Protection type	IP20; per EN 60529
Overvoltage category	III (≤ 2000 m a.s.l.); II (> 2000 m a.s.l.)
Pollution degree	2
Short-circuit-protected	Yes
Open-circuit-proof	Yes
Parallel operation	Yes
Series operation	Yes

Connection data

Connection type 1	Input/output/signaling
Connection technology	Push-in CAGE CLAMP®
Solid conductor	0.2 ... 4 mm ² / 24 ... 12 AWG
Fine-stranded conductor	0.2 ... 4 mm ² / 24 ... 12 AWG

Physical data

Width	50 mm / 1.97 inches
Height	130 mm / 5.118 inches
Depth from upper-edge of DIN-rail	130 mm / 5.118 inches

Mechanical data

Mounting type	DIN-35 rail
---------------	-------------

Material data

Fire load	0 MJ
Weight	800 g

Environmental requirements

Ambient temperature (operation)	-25 ... +70 °C (Device starts at -40 °C (type-tested))
Ambient temperature (storage)	-40 ... +85 °C
Relative humidity	5 ... 96 % (no condensation permissible)
Derating	See type label
Operating altitude (max.)	5000 m

Standards and specifications

Conformity marking	CE
Standards/specifications	EN 61010-1 EN 61010-2-201 EN 61204-3 UL 61010-1 UL 61010-2-201

Commercial data

PU (SPU)	1 pcs
Country of origin	CN
GTIN	4066966342451
Customs tariff number	85044083900

Environmental Product Compliance

RoHS Compliance Status	Compliant, No Exemption
------------------------	-------------------------

Approvals / Certificates

Declarations of conformity and manufacturer's declarations

Approval	Standard	Certificate Name
EU-Declaration of Conformity WAGO GmbH & Co. KG	-	-
UK-Declaration of Conformity WAGO GmbH & Co. KG	-	-

Downloads

Environmental Product Compliance

Compliance Search

Environmental Product
Compliance 2687-2146



Documentation

Bid Text

2687-2146	xml 7.29 KB	
2687-2146	docx 29.98 KB	

Instruction Leaflet

Power Supply; Eco 2	V 1.0.0 02.02.2023	pdf 2308.20 KB	
---------------------	-----------------------	-------------------	--

1 Compatible Products

1.1 Optional Accessories

1.1.1 Marking

1.1.1.1 Marker carrier

[Item No.: 2789-1233](#)

Marker carrier; for WMB or marking strips;
Length: 33 mm