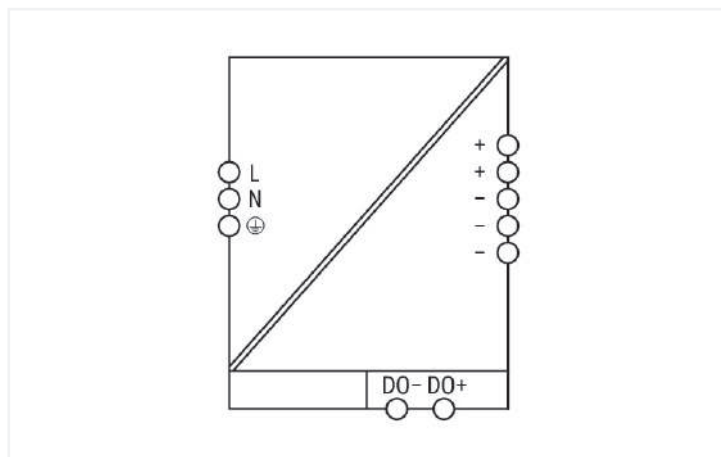


# Data Sheet | Item Number: 2687-2144

Power supply; Eco 2; 1-phase; 24 VDC output voltage; 5 A output current; DC OK contact

<https://www.wago.com/2687-2144>



## Features:

- Signal output, optical status indication
- Suitable for both parallel and series operation
- Natural convection cooling when horizontally mounted
- Connection technology with push-in termination and tool-free lever operation
- Electrically isolated output voltage (SELV/PELV) per EN 61010/UL 61010
- Marker slot (2789-1233, not included) for WAGO marking cards (WMB) and WAGO marking strips

## Technical data

## Input

Phases	1
Nominal input voltage $U_{i, nom}$	1 x AC 100 ... 240 V
Input voltage range	1 x AC 90 ... 264 V
Nominal mains frequency range	50 ... 60 Hz; 0 Hz
Input current $I_i$	$\leq 0.8$ A (230 VAC; nominal load); $\leq 1.5$ A (100 VAC; nominal load)
Inrush current	$\leq 20$ A (after 1 ms)
Power factor correction (PFC)	active
Mains failure hold-up time	$\geq 20$ ms (230 VAC)

## Output

Nominal output voltage $U_{o, nom}$	DC 24 V (SELV)
Output voltage range	DC 23 ... 28 V (adjustable)
Default setting	DC 24 V
Nominal output current $I_{o, nom}$	5 A (24 VDC)
Nominal output power	120 W
Deviation	$\leq 1$ %
Residual ripple	$\leq 75$ mV (peak-to-peak)
Overload behavior	Constant current up to 125 %; shutdown and automatic restart in the event of a short circuit

## Signaling and communication

Signaling	Optical status indication (overload) Optical status indication (DC OK) Digital signal output (DO)
-----------	---

## Efficiency/power losses

Power loss $P_i$	$\leq 3$ W; $\leq 12$ W (nominal load)
Efficiency (typ.)	90 %

## Circuit protection

Internal fuse	T 3.15 A / 250 VAC
Backup fusing (recommended)	16 A (for USA/Canada: 15 A)

## Safety and protection

Isolation voltage (pri.-sec., AC)	3510 V
Isolation voltage (pri.-PE, AC)	2200 V
Isolation voltage (sec.-PE)	DC 0.5 kV
Isolation voltage (sec.-signal)	DC 0.5 kV
Protection class	I
Protection type	IP20; per EN 60529
Overvoltage category	III ( $\leq 2000$ m a.s.l.); II ( $> 2000$ m a.s.l.)
Pollution degree	2
Short-circuit-protected	Yes
Open-circuit-proof	Yes
Parallel operation	Yes
Series operation	No
MTBF	$> 1,000,000$ h (per IEC 61709)

## Connection data

Connection type 1	Input/output/signaling
Connection technology	Push-in CAGE CLAMP®
Solid conductor	0.2 ... 4 mm <sup>2</sup> / 24 ... 12 AWG
Fine-stranded conductor	0.2 ... 4 mm <sup>2</sup> / 24 ... 12 AWG

## Physical data

Width	38 mm / 1.496 inches
Height	130 mm / 5.118 inches
Depth from upper-edge of DIN-rail	130 mm / 5.118 inches

### Mechanical data

Mounting type	DIN-35 rail
---------------	-------------

### Material data

Fire load	0 MJ
Weight	620 g

### Environmental requirements

Ambient temperature (operation)	-25 ... +70 °C (Device starts at -40 °C (type-tested))
Ambient temperature (storage)	-40 ... +85 °C
Relative humidity	5 ... 96 % (no condensation permissible)
Derating	See type label
Operating altitude (max.)	5000 m

### Standards and specifications

Conformity marking	CE
Standards/specifications	EN 61010-1 EN 61010-2-201 EN 61204-3 UL 61010-1 UL 61010-2-201 SEMI F47

### Commercial data

ETIM 8.0	EC002540
ETIM 7.0	EC002540
PU (SPU)	1 pcs
Country of origin	CN
GTIN	4066966401080
Customs tariff number	85044083900

### Environmental Product Compliance

RoHS Compliance Status	Compliant, No Exemption
------------------------	-------------------------

### Approvals / Certificates

#### General approvals



Approval	Standard	Certificate Name
UL Underwriters Laboratories Inc.	UL 61010-2-201	UL-US-2218925-0_UL- CA-2218432-0

#### Declarations of conformity and manufacturer's declarations

Approval	Standard	Certificate Name
EU-Declaration of Confor- mity WAGO GmbH & Co. KG	-	-
UK-Declaration of Confor- mity WAGO GmbH & Co. KG	-	-

Approvals for hazardous areas



Approval	Standard	Certificate Name
UL Underwriters Laboratories Inc. (HAZARDOUS LOCATIONS)	UL 121201	E198726

Downloads

Environmental Product Compliance

Compliance Search
Environmental Product Compliance 2687-2144 <a href="#">↓</a>

Documentation

Manual
Power supply; Eco 2; 1-phase; 24 VDC output voltage; 5 A output current V 1.0.0 19.12.2022 pdf 4207.46 KB <a href="#">↓</a>

Bid Text		
2687-2144	xml 7.26 KB	<a href="#">↓</a>
2687-2144	docx 29.77 KB	<a href="#">↓</a>

Instruction Leaflet
Power supply; Eco 2 V 1.3.0 08.11.2022 pdf 2307.76 KB <a href="#">↓</a>

CAD/CAE-Data

CAD data
2D/3D Models 2687-2144 <a href="#">↓</a>

1 Compatible Products

1.1 Optional Accessories

1.1.1 Marking

1.1.1.1 Marker carrier

Item No.: 2789-1233

Marker carrier; for WMB or marking strips;  
Length: 33 mm