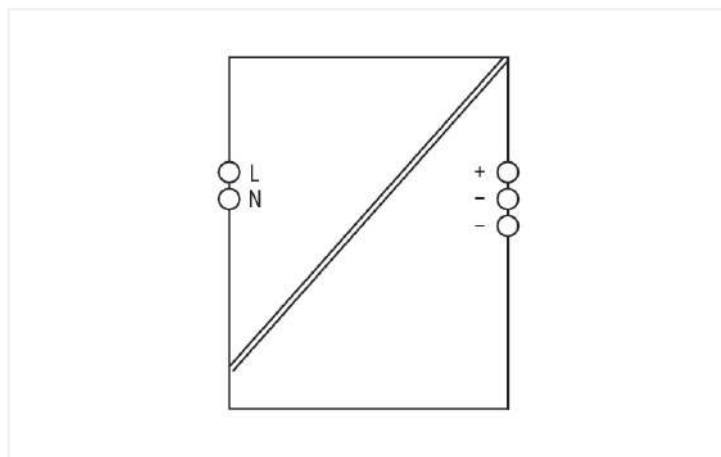


Data Sheet | Item Number: 2687-2142

Power supply; Eco 2; 1-phase; 24 VDC output voltage; 1.25 A output current; DC-OK LED

<https://www.wago.com/2687-2142>



Features:

- Optical status indication
- Suitable for both parallel and series operation
- Natural convection cooling when horizontally mounted
- Connection technology with push-in termination and tool-free lever operation
- Electrically isolated output voltage (SELV/PELV) per EN 61010/UL 61010
- Marker slot (2789-1223, not included) for WAGO marking cards (WMB) and WAGO marking strips

Technical data

Input

Phases	1
Nominal input voltage $U_{i\text{nom}}$	1 x AC 100 ... 240 V
Input voltage range	1 x AC 90 ... 264 V
Nominal mains frequency range	50 ... 60 Hz
Input current I_i	≤ 0.3 A (230 VAC; nominal load); ≤ 0.6 A (100 VAC; nominal load)
Inrush current	≤ 10 A (after 1 ms)
Power factor correction (PFC)	passive
Mains failure hold-up time	≥ 120 ms (230 VAC); ≥ 15 ms (110 VAC)

Output

Nominal output voltage $U_{o\text{nom}}$	DC 24 V (SELV)
Output voltage range	DC 22 ... 29 V (adjustable)
Default setting	DC 24 V
Nominal output current $I_{o\text{nom}}$	1.25 A (24 VDC)
Nominal output power	30 W
Deviation	≤ 1 %
Residual ripple	≤ 30 mV (peak-to-peak, at 230 VAC)
Overload behavior	Constant power up to 125 %; shutdown and automatic restart in the event of a short circuit

Signaling and communication

Signaling	1 x LED DC OK (green)
-----------	-----------------------

Efficiency/power losses

Power loss P_i	≤ 0.2 W (no load); ≤ 4.3 W (nominal load)
Efficiency (typ.)	88 %

Circuit protection

Internal fuse	T 1 A / 250 VAC
Backup fusing (recommended)	16 A (for USA/Canada: 15 A)

Safety and protection

Isolation voltage (pri.-sec., AC)	3510 V
Protection class	II
Protection type	IP20; per EN 60529
Resistance to reverse feed	\leq DC 35 V
Overvoltage category	III (≤ 2000 m a.s.l.); II (> 2000 m a.s.l.)
Pollution degree	2
Short-circuit-protected	Yes
Open-circuit-proof	Yes
Parallel operation	Yes
Series operation	Yes
MTBF	$> 1,000,000$ h (per IEC 61709)

Connection data

Connection type 1	Input/output
Connection technology	Push-in CAGE CLAMP®
Solid conductor	0.2 ... 4 mm ² / 24 ... 12 AWG
Fine-stranded conductor	0.2 ... 4 mm ² / 24 ... 12 AWG

Physical data

Width	25 mm / 0.984 inches
Height	100 mm / 3.937 inches
Depth from upper-edge of DIN-rail	100 mm / 3.937 inches

Mechanical data

Mounting type	DIN-35 rail
---------------	-------------

Material data

Fire load	0 MJ
Weight	160 g

Environmental requirements

Ambient temperature (operation)	-25 ... +70 °C (Device starts at -40 °C (type-tested))
Ambient temperature (storage)	-40 ... +85 °C
Relative humidity	5 ... 96 % (no condensation permissible)
Derating	See type label/manual
Operating altitude (max.)	5000 m

Standards and specifications

Conformity marking	CE
Standards/specifications	EN 61010-1 EN 61010-2-201 EN 61204-3 UL 61010-1 UL 61010-2-201 SEMI F47

Commercial data

ETIM 8.0	EC002540
ETIM 7.0	EC002540
PU (SPU)	1 pcs
Country of origin	CN
GTIN	4066966156492
Customs tariff number	85044083900

Environmental Product Compliance

RoHS Compliance Status	Compliant, No Exemption
------------------------	-------------------------

Approvals / Certificates

General approvals



Approval	Standard	Certificate Name
UL Underwriters Laboratories Inc.	UL 61010-2-201	E255817

Declarations of conformity and manufacturer's declarations

Approval	Standard	Certificate Name
EU-Declaration of Confor- mity WAGO GmbH & Co. KG	-	-

Approvals for hazardous areas



Approval	Standard	Certificate Name
UL Underwriters Laboratories Inc. (HAZARDOUS LOCA- TIONS)	UL 121201	E198726

Downloads

Environmental Product Compliance

Compliance Search
Environmental Product Compliance 2687-2142 ↓

Documentation

Manual
Product Manual Power supply Eco 2; 1-phase; 24 VDC output voltage; 1.25 A output current

V	Standard	File Type	Size	Action
V 1.0.0	03.08.2021	pdf	2790.92 KB	↓

Bid Text
2687-2142

Item	File Type	Size	Action
2687-2142	xml	7.11 KB	↓
2687-2142	docx	33.09 KB	↓

Instruction Leaflet
Stromversorgung; Eco 2

V	Standard	File Type	Size	Action
V 1.0.0	16.06.2021	pdf	2279.02 KB	↓

CAD/CAE-Data

CAD data
2D/3D Models 2687-2142 ↓

1 Compatible Products

1.1 Optional Accessories

1.1.1 Marking

1.1.1.1 Marker carrier



Item No.: [2789-1223](#)

Marker carrier; for WMB or marking strips;
Length: 23 mm