



Accessory for SIRIUS 3RM1 Cover cap for busbars

General technical data		
product brand name		SIRIUS
product designation		Cover cap
design of the product		For 3 connection tags of the three-phase busbars
suitability for use		Busbars 3RM1910
product function short circuit protection		No
installation altitude at height above sea level maximum	m	2 000
ambient temperature		
• during operation	°C	-25 ... +60
• during transport	°C	-40 ... +70
• during storage	°C	-40 ... +70
insulation voltage rated value	V	500
Main circuit		
relative symmetrical tolerance of the operating voltage	%	10
Installation/ mounting/ dimensions		
mounting position		any
fastening method		snap-on mounting
width	mm	23
height	mm	26
depth	mm	7
Certificates/ approvals		
General Product Approval		EMV



[Confirmation](#)



Test Certificates	other	Railway	Environment
Type Test Certificates/Test Report	Confirmation	Special Test Certificate	Environmental Confirmations

Further information

Information on the packaging
<https://support.industry.siemens.com/cs/ww/en/view/109813875>
 Information- and Downloadcenter (Catalogs, Brochures,...)
<https://www.siemens.com/ic10>
 Industry Mall (Online ordering system)

<https://mall.industry.siemens.com/mall/en/en/Catalog/product?mlfb=3RM1910-6AA>

Cax online generator

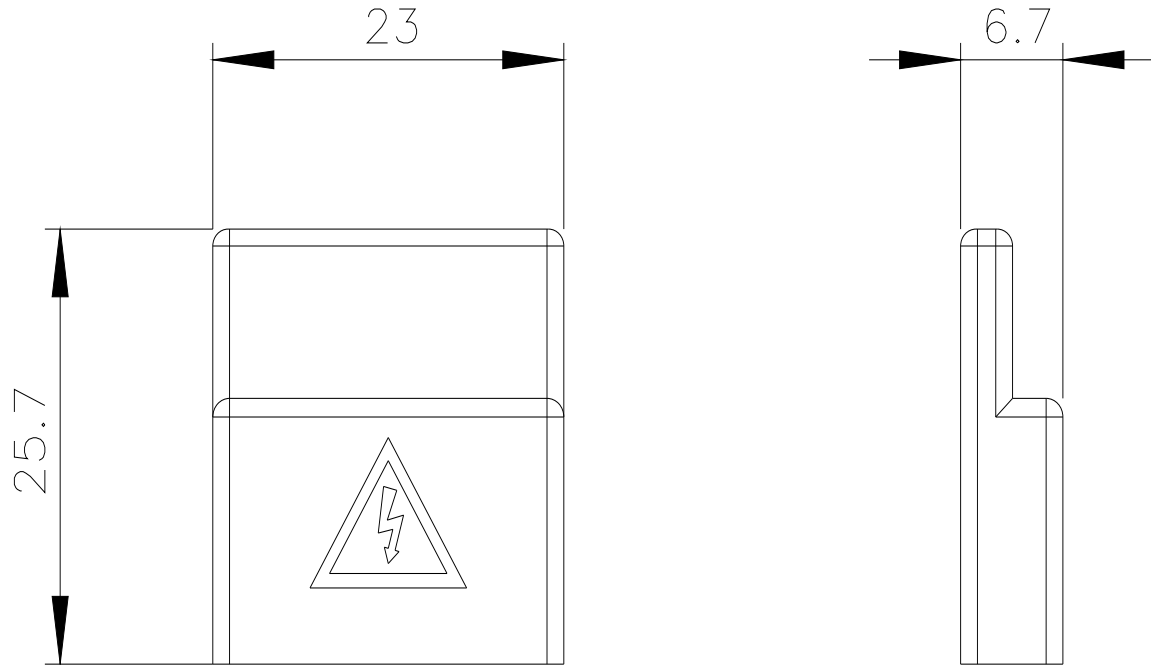
<http://support.automation.siemens.com/WW/CAXorder/default.aspx?lang=en&mlfb=3RM1910-6AA>

Service&Support (Manuals, Certificates, Characteristics, FAQs,...)

<https://support.industry.siemens.com/cs/ww/en/ps/3RM1910-6AA>

Image database (product images, 2D dimension drawings, 3D models, device circuit diagrams, EPLAN macros, ...)

http://www.automation.siemens.com/bilddb/cax_de.aspx?mlfb=3RM1910-6AA&lang=en



last modified:

12/16/2020 