



## AZ 415-33ZPK-M20

- 3 switches with different actuating functions in one enclosure
- 130 mm x 100 mm x 46,5 mm
- Metal enclosure
- Long life
- High level of contact reliability with low voltages and currents
- Adjustable ball latch to 400 N
- 2 cable entries M 20 x 1.5
- Spring-loaded actuators

## Data

### Ordering data

Product type description	AZ 415-33ZPK-M20
Article number (order number)	101164612
EAN (European Article Number)	4030661206530
eCl@ss number, version 12.0	27-27-26-02
eCl@ss number, version 11.0	27-27-26-02
eCl@ss number, version 9.0	27-27-26-02
ETIM number, version 7.0	EC002592
ETIM number, version 6.0	EC002592

### General data

Housing material	Aluminium
Housing coating material	painted
Gross weight	800 g

## General data - Features

Increased latching force	Yes
Number of auxiliary contacts	3
Number of safety contacts	3
Number of guard doors	2

## Safety classification

Standards	EN ISO 13849-1
Mission time	20 Year(s)

## Safety classification - Safety outputs

B <sub>10D</sub> Normally-closed contact (NC)	2,000,000 Operations
B <sub>10D</sub> Normally open contact (NO)	1,000,000 Operations
Note (B <sub>10D</sub> Normally open contact (NO))	at 10% I <sub>e</sub> and ohmic load

## Mechanical data

Mechanical life, minimum	1,000,000 Operations
Latching force, minimum	80 N
Latching force, maximum	400 N
Positive break travel	4.5 mm
Positive break force, minimum	15 N
Actuating speed, maximum	0.2 m/s

## Mechanical data - Connection technique

Termination	Screw terminals M20 x 1.5
Cable section, minimum	2 x 0.75 mm <sup>2</sup>
Cable section, maximum	2 x 1.5 mm <sup>2</sup>
Note (Cable section)	All indications including the conductor ferrules.

## Mechanical data - Dimensions

Length of sensor	46.5 mm
Width of sensor	130 mm
Height of sensor	100 mm

## Ambient conditions

Degree of protection	IP67
Ambient temperature	-25 ... +80 °C

## Ambient conditions - Insulation values

Rated insulation voltage $U_i$	250 VAC
Rated impulse withstand voltage $U_{imp}$	4 kV

## Electrical data

Thermal test current	6 A
Utilisation category AC-15	230 VAC
Utilisation category AC-15	4 A
Utilisation category DC-13	24 VDC
Utilisation category DC-13	4 A
Switching element	NO contact, NC contact
Switching principle	Slow action
Material of the contacts, electrical	Silver

## Scope of delivery

Scope of delivery	Actuator must be ordered separately.
-------------------	--------------------------------------

## Ordering code

Product type description:  
AZ 415-(1)ZPK-(2)

(1)

<b>02/11</b>	2 NC contacts / 1 NO contact, 1 NC contact
<b>02/02</b>	2 NC contacts / 2 NC contacts
<b>02/20</b>	2 NC contacts / 2 NO contacts
<b>11/11</b>	1 NO contact, 1 NC contact / 1 NO contact 1, NC contact

(2)

<b>1637</b>	Gold-plated contacts
-------------	----------------------

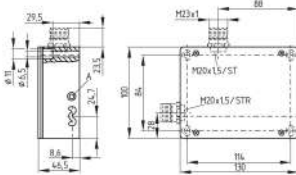
## Pictures

### Product picture (catalogue individual photo)



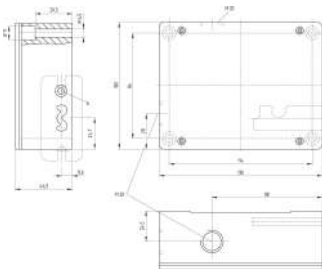
ID: kaz41f02  
| 516.8 kB | .jpg | 295.275 x 251.883 mm - 837 x 714 px - 72 dpi  
| 35.5 kB | .png | 74.083 x 63.147 mm - 210 x 179 px - 72 dpi  
| 75.9 kB | .jpg | 123.472 x 105.481 mm - 350 x 299 px - 72 dpi

### Dimensional drawing basic component



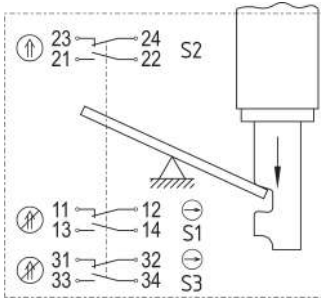
ID: lazm4g01  
| 35.2 kB | .cdr |  
| 9.5 kB | .png | 74.083 x 51.506 mm - 210 x 146 px - 72 dpi  
| 132.1 kB | .jpg | 352.778 x 245.181 mm - 1000 x 695 px - 72 dpi

### Dimensional drawing basic component



ID: kazm4g01  
| 112.5 kB | .cdr |  
| 4.1 kB | .png | 74.083 x 60.678 mm - 210 x 172 px - 72 dpi  
| 137.3 kB | .jpg | 352.778 x 289.278 mm - 1000 x 820 px - 72 dpi

## Diagram



ID: kaz41k03

| 21.5 kB | .cdr |

| 151.7 kB | .jpg | 352.778 x 324.556 mm - 1000 x 920 px - 72 dpi

| 6.0 kB | .png | 74.083 x 68.086 mm - 210 x 193 px - 72 dpi

Schmersal India Pvt. Ltd., Plot No - G-7/1, Ranjangaon MIDC, Tal. - Shirur, Dist.- Pune 412 220

The details and data referred to have been carefully checked. Images may diverge from original. Further technical data can be found in the manual. Technical amendments and errors possible.

Generated on: 08/12/2023, 8:06 am