



AZ 3350-03ZK-U90

- Metal enclosure
- Latching handle
- Long life
- 40,5 mm x 114 mm x 38 mm
- High level of contact reliability with low voltages and currents

Data

Ordering data

| | |
|-------------------------------|--|
| Article number (order number) | 151177387 |
| EAN (European Article Number) | 4030661308241 |
| eCl@ss number, version 12.0 | 27-27-26-02 |
| eCl@ss number, version 11.0 | 27-27-26-02 |
| eCl@ss number, version 9.0 | 27-27-26-02 |
| ETIM number, version 7.0 | EC002592 |
| ETIM number, version 6.0 | EC002592 |
| Note (Ordering data) | To order, first choose the desired safety switch and then the door handle system |

General data

| | |
|--|---|
| Standards | BG-GS-ET-15 EN ISO 13849-1 EN ISO 14119 EN IEC 60947-5-1 |
| Coding level according to EN ISO 14119 | Low |
| Working principle | electromechanical |
| Housing material | Aluminium |
| Housing coating material | painted |

Gross weight 230 g

General data - Features

Number of cable glands 1

Safety classification

Standards EN ISO 13849-1

Mission time 20 Year(s)

Safety classification - Safety outputs

B_{10D} Normally-closed contact (NC) 2,000,000 Operations

Mechanical data

Mechanical life, minimum 1,000,000 Operations

Shearing force 15,000 N

Positive break travel 10.7 mm

Positive break force per NC contact,
minimum 5 N

Actuating speed, maximum 0.2 m/s

Mounting Screws

Mechanical data - Connection technique

Cable entry 1x M20

Termination Screw terminals
Screw terminals M20 x 1.5

Cable section, minimum 0.75 mm²

Cable section, maximum 2.5 mm²

Note (Cable section) All indications including the conductor ferrules.

Mechanical data - Dimensions

| | |
|------------------|---------|
| Length of sensor | 38 mm |
| Width of sensor | 40.5 mm |
| Height of sensor | 114 mm |

Ambient conditions

| | |
|--|--------|
| Degree of protection | IP67 |
| Storage and transport temperature, minimum | -40 °C |
| Storage and transport temperature, maximum | +90 °C |

Ambient conditions - Insulation values

| | |
|---|---------|
| Rated insulation voltage U_i | 250 VAC |
| Rated impulse withstand voltage U_{imp} | 4 kV |

Electrical data

| | |
|--------------------------------------|---------------------------------------|
| Thermal test current | 10 A |
| Required rated short-circuit current | 1,000 A |
| Switching principle | Slow action with overlapping contacts |
| Switching frequency | 1,200 /h |
| Material of the contacts, electrical | Silver |

Electrical data - Safety contacts

| | |
|-------------------------------------|---------|
| Voltage, Utilisation category AC-15 | 230 VAC |
| Current, Utilisation category AC-15 | 4 A |
| Voltage, Utilisation category DC-13 | 24 VDC |
| Current, Utilisation category DC-13 | 4 A |

Scope of delivery

Scope of delivery Actuator must be ordered separately.

Ordering code

Product type description:
AZ 3350-(1)-(2)-(3)

| | | |
|---------------|--|---|
| (1) | | |
| 03ZK | | 3 NC contact |
| 12ZUEK | | 1 NO contact/2 NC contacts |
| (2) | | |
| 1637 | | Gold-plated contacts |
| (3) | | |
| U90 | | Actuating head can be rotated 90° for door hinge left |
| U270 | | Actuating head can be rotated 270° for door hinge right |

Pictures

Product picture (catalogue individual photo)



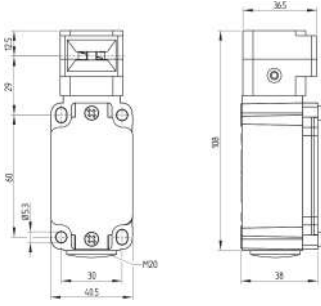
ID: kaz33f08

| 769.6 kB | .jpg | 352.778 x 529.167 mm - 1000 x 1500 px - 72 dpi

| 54.8 kB | .png | 73.731 x 110.772 mm - 209 x 314 px - 72 dpi

| 48.0 kB | .jpg | 82.197 x 123.472 mm - 233 x 350 px - 72 dpi

Dimensional drawing basic component



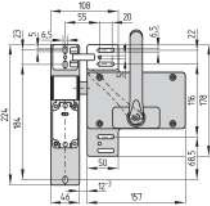
ID: kaz33g02

| 65.8 kB | .cdr |

| 4.5 kB | .png | 74.083 x 68.792 mm - 210 x 195 px - 72 dpi

| 126.7 kB | .jpg | 352.778 x 327.731 mm - 1000 x 929 px - 72 dpi

Dimensional drawing miscellaneous

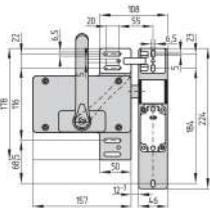


ID: 1az33m03

| 63.5 kB | .cdr |

| 121.3 kB | .jpg | 352.778 x 247.297 mm - 1000 x 701 px - 72 dpi

Dimensional drawing miscellaneous

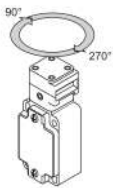


ID: 1az33m04

| 64.4 kB | .cdr |

| 122.0 kB | .jpg | 352.778 x 247.297 mm - 1000 x 701 px - 72 dpi

Operating principle



ID: 1az33e03

| 64.9 kB | .jpg | 352.778 x 247.297 mm - 1000 x 701 px - 72 dpi

| 7.6 kB | .png | 74.083 x 51.858 mm - 210 x 147 px - 72 dpi

Schmersal India Pvt. Ltd., Plot No - G-7/1, Ranjangaon MIDC, Tal. - Shirur, Dist.- Pune 412 220

The details and data referred to have been carefully checked. Images may diverge from original. Further technical data can be found in the manual. Technical amendments and errors possible.

Generated on: 08/12/2023, 8:13 am