



## AZ 3350-03ZK-U270

- 1 Cable entry M 20 x 1.5
- Actuating head rotated by 270°
- Metal enclosure
- Latching handle
- Long life
- 40,5 mm x 114 mm x 38 mm
- High level of contact reliability with low voltages and currents

## Data

### Ordering data

|                               |  |
|-------------------------------|--|
| Product type description      | AZ 3350-03ZK-U270  |
| Article number (order number) | 101177188  |
| EAN (European Article Number) | 4030661307978  |
| eCl@ss number, version 12.0   | 27-27-26-02  |
| eCl@ss number, version 11.0   | 27-27-26-02  |
| eCl@ss number, version 9.0    | 27-27-26-02  |
| ETIM number, version 7.0      | EC002592   |
| ETIM number, version 6.0      | EC002592   |
| Note (Ordering data)          | To order, first choose the desired safety switch and then the door handle system |

### Approvals - Standards

|              |       |
|--------------|-------|
| Certificates | cULus |
|--------------|-------|

### General data

|  |   |
|--|---|
| Standards                              | BG-GS-ET-15<br>EN ISO 13849-1<br>EN ISO 14119<br>EN IEC 60947-5-1 |
| Coding level according to EN ISO 14119 | Low   |
| Working principle                      | electromechanical   |
| Housing material                       | Aluminium   |
| Housing coating material               | painted   |
| Gross weight                           | 230 g   |

### General data - Features

|                                |   |
|--------------------------------|---|
| Number of actuating directions | 1 |
| Number of safety contacts      | 3 |
| Number of cable glands         | 1 |

### Safety classification

|              |                |
|--------------|----------------|
| Standards    | EN ISO 13849-1 |
| Mission time | 20 Year(s)     |

### Safety classification - Safety outputs

|   |                      |
|---|----------------------|
| B <sub>10D</sub> Normally-closed contact (NC) | 2,000,000 Operations |
|---|----------------------|

### Mechanical data

|  |                      |
|--|----------------------|
| Mechanical life, minimum                     | 1,000,000 Operations |
| Door hinge                                   | Right                |
| Shearing force                               | 15,000 N             |
| Positive break travel                        | 10.7 mm              |
| Positive break force per NC contact, minimum | 5 N                  |
| Actuating speed, maximum                     | 0.2 m/s              |
| Mounting                                     | Screws               |

## Mechanical data - Connection technique

|                        |   |
|------------------------|---|
| Cable entry            | 1x M20  |
| Termination            | Screw terminals<br>Screw terminals M20 x 1.5      |
| Cable section, minimum | 0.75 mm <sup>2</sup>                              |
| Cable section, maximum | 2.5 mm <sup>2</sup>                               |
| Note (Cable section)   | All indications including the conductor ferrules. |
| Allowed type of cable  | solid single-wire<br>solid multi-wire<br>flexible |

## Mechanical data - Dimensions

|                  |         |
|------------------|---------|
| Length of sensor | 38 mm   |
| Width of sensor  | 40.5 mm |
| Height of sensor | 114 mm  |

## Ambient conditions

|  |                |
|--|----------------|
| Degree of protection                       | IP67           |
| Ambient temperature                        | -30 ... +90 °C |
| Storage and transport temperature, minimum | -40 °C         |
| Storage and transport temperature, maximum | +90 °C         |

## Ambient conditions - Insulation values

|   |         |
|---|---------|
| Rated insulation voltage $U_i$            | 250 VAC |
| Rated impulse withstand voltage $U_{imp}$ | 4 kV    |

## Electrical data

|                      |      |
|----------------------|------|
| Thermal test current | 10 A |
|----------------------|------|

|                                      |             |
|--------------------------------------|-------------|
| Required rated short-circuit current | 1,000 A     |
| Switching element                    | Opener (NC) |
| Switching principle                  | Slow action |
| Switching frequency                  | 1,200 /h    |
| Material of the contacts, electrical | Silver      |

## Electrical data - Safety contacts

|                                     |         |
|-------------------------------------|---------|
| Voltage, Utilisation category AC-15 | 230 VAC |
| Current, Utilisation category AC-15 | 4 A     |
| Voltage, Utilisation category DC-13 | 24 VDC  |
| Current, Utilisation category DC-13 | 4 A     |

## Scope of delivery

|                   |                                      |
|-------------------|--------------------------------------|
| Scope of delivery | Actuator must be ordered separately. |
|-------------------|--------------------------------------|

## Accessory

|                                      |  |
|--------------------------------------|--|
| Recommendation (product combination) | AZ 3350-ST30-01<br>AZ 3350-ST30-03<br>AZ 3350-ST30-06<br>AZ 3350-ST30-08 |
|--------------------------------------|--|

## Ordering code

Product type description:  
AZ 3350-(1)-(2)-(3)

(1)

|               |                            |
|---------------|----------------------------|
| <b>03ZK</b>   | 3 NC contact               |
| <b>12ZUEK</b> | 1 NO contact/2 NC contacts |

(2)

|             |                      |
|-------------|----------------------|
| <b>1637</b> | Gold-plated contacts |
|-------------|----------------------|

(3)

**U90**

Actuating head can be rotated 90° for door hinge left

**U270**

Actuating head can be rotated 270° for door hinge right

## Pictures

### Product picture (catalogue individual photo)



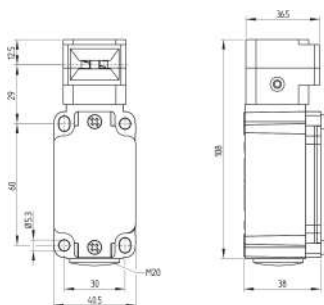
ID: kaz33f09

| 727.5 kB | .jpg | 352.778 x 529.167 mm - 1000 x 1500 px - 72 dpi

| 54.4 kB | .png | 73.731 x 110.772 mm - 209 x 314 px - 72 dpi

| 47.3 kB | .jpg | 82.197 x 123.472 mm - 233 x 350 px - 72 dpi

### Dimensional drawing basic component



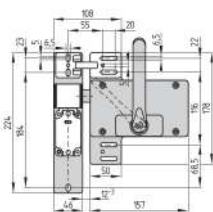
ID: kaz33g02

| 65.8 kB | .cdr |

| 4.5 kB | .png | 74.083 x 68.792 mm - 210 x 195 px - 72 dpi

| 126.7 kB | .jpg | 352.778 x 327.731 mm - 1000 x 929 px - 72 dpi

### Dimensional drawing miscellaneous

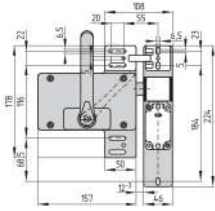


ID: 1az33m03

| 63.5 kB | .cdr |

| 121.3 kB | .jpg | 352.778 x 247.297 mm - 1000 x 701 px - 72 dpi

### Dimensional drawing miscellaneous

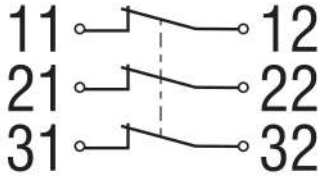


ID: 1az33m04

| 64.4 kB | .cdr |

| 122.0 kB | .jpg | 352.778 x 247.297 mm - 1000 x 701 px - 72 dpi

## Diagram



ID: k3o3sk01

| 18.9 kB | .cdr |

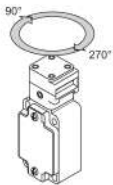
| 82.7 kB | .jpg | 352.778 x 191.558 mm - 1000 x 543 px - 72 dpi

| 3.2 kB | .png | 74.083 x 40.217 mm - 210 x 114 px - 72 dpi

| 6.7 kB | .png | 50.038 x 27.178 mm - 591 x 321 px - 300 dpi

| 2.4 kB | .jpg | 33.161 x 17.992 mm - 94 x 51 px - 72 dpi

## Operating principle



ID: 1az33e03

| 64.9 kB | .jpg | 352.778 x 247.297 mm - 1000 x 701 px - 72 dpi

| 7.6 kB | .png | 74.083 x 51.858 mm - 210 x 147 px - 72 dpi

Schmersal India Pvt. Ltd., Plot No - G-7/1, Ranjangaon MIDC, Tal. - Shirur, Dist.- Pune 412 220

The details and data referred to have been carefully checked. Images may diverge from original. Further technical data can be found in the manual. Technical amendments and errors possible.

Generated on: 08/12/2023, 8:12 am