



## Instrument housing

### 7401

- Suitable for all PR head-mounted transmitters
- 3 conduit openings for relevant process connections via e.g. thermowell, flexible couplings, cable glands etc.
- Options: Aluminum with blind cover or window or 316 stainless steel with window
- Installation in harsh environments IP54-IP68



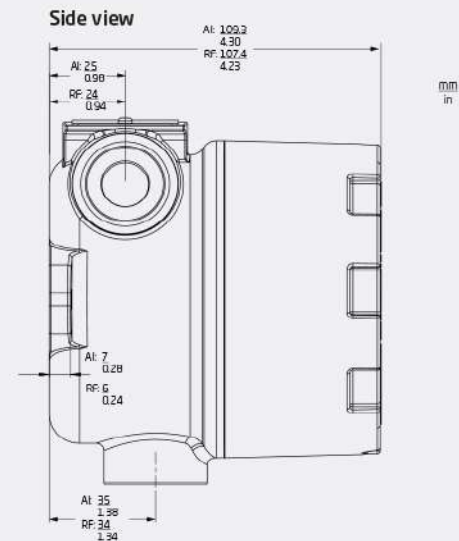
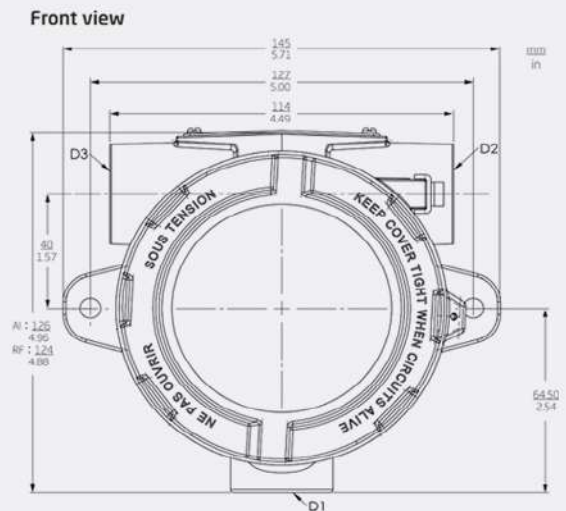
#### Application

- Enclosure for mounting of head-mounted transmitters.
- Suitable for Ex / I.S. installation in hazardous area according to the installation requirements of the specific transmitter.

#### Mounting / installation

- Mounting on 1.5"-2" pipe bracket or on wall / bulkhead.
- PR transmitters in the 53xx and 54xx series can be easily installed in the housing with the included metal plate. For Ex / I.S. installations, the installation instructions for the specific transmitter must be followed. Ex marking is shown on the label of the installed transmitter.

#### Applications



**Order**

Type	Housing	Window	O-ring	Conduit thread (D1, D2 & D3)	Paint type	Cover color
7401	Low copper aluminum (AL) : A	No : 1	-40 to +85°C silicone rubber : A	M20x1.5 6H : 1	Epoxy : A	Red : -
		Yes : 2	-20 to +85°C FKM rubber : B	½ NPT mod. : 2	Epoxy + polyurethane : B	Gray : GY
		Yes : 2				
7401	316 Stainless steel (RF) : B	Yes : 2	-40 to +85°C silicone rubber : A -20 to +85°C FKM rubber : B	M20x1.5 6H : 1 ½ NPT mod. : 2	None : N	Steel : -

Example: 7401A2B1A = Aluminum, window, FKM rubber O-ring, M20x1.5 6H conduit, epoxy, red

NB: Head-mounted transmitters must be ordered separately and can be installed in the housing by PR electronics on request.

**Environmental Conditions**

Operating temperature..... -40°C to +85°C (with silicone O-ring)  
 Operating temperature..... -20°C to +85°C (with FKM O-ring)  
 Storage temperature..... -40°C to +85°C  
 Relative humidity..... 0...100% RH (condensing)  
 Protection degree..... IP54 / IP66 / IP68 / type 4X  
 Corrosion class 7501AxxxBxxxx / durability..... C5-I/M / 5...15 years

**Observed authority requirements**

RoHS..... 2011/65/EU

**Mechanical specifications**

Dimensions..... Ø 110 mm  
 Dimensions (HxWxD), aluminum..... 109.3 x 145 x 126 mm  
 Dimensions (HxWxD), stainless steel..... 107.4 x 145 x 124 mm  
 Weight approx., aluminum / stainless steel..... 1.3 / 2.8 kg  
 Internal volume..... 580 cm<sup>3</sup>