

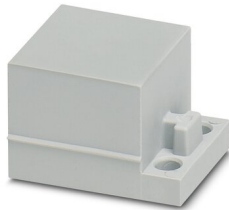
# CES-STPG-GY - Blind sleeve



0801715

<https://www.phoenixcontact.com/in/products/0801715>

Please be informed that the data shown in this PDF document is generated from our Online Catalog. Please find the complete data in the user documentation. Our General Terms of Use for Downloads are valid.



Blind sleeve, small, no. of conductors: 0, type: Blind sleeve, closed, material: SEBS (halogen-free), color: gray, length: 29.5 mm, width: 19.5 mm, height: 17 mm

## Product Description

Blind sleeves seal feed-through sections that are not required in CES sealing frames

## Commercial Data

|                                      |                     |
|--------------------------------------|---------------------|
| Item number                          | 0801715             |
| Packing unit                         | 10 pc               |
| Minimum order quantity               | 10 pc               |
| Sales Key                            | BF7                 |
| Product Key                          | BF7CCX              |
| Catalog Page                         | Page 680 (C-2-2019) |
| GTIN                                 | 4046356675161       |
| Weight per Piece (including packing) | 8.15 g              |
| Weight per Piece (excluding packing) | 8.15 g              |
| Customs tariff number                | 40169997            |
| Country of origin                    | PL                  |

# CES-STPG-GY - Blind sleeve

0801715

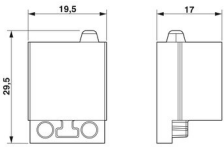
<https://www.phoenixcontact.com/in/products/0801715>

## Technical Data

### Product properties

|                   |              |
|-------------------|--------------|
| Product type      | Cable sleeve |
| No. of conductors | 0            |

### Dimensions

|                     |  |
|---------------------|--|
| Dimensional drawing |  |
| Width               | 19.5 mm  |
| Height              | 17 mm  |
| Length              | 29.5 mm  |

### Material specifications

|  |      |
|--|------|
| Color                                  | gray |
| Material                               | SEBS |
| Flammability rating according to UL 94 | V0   |

### Characteristics

|                         |              |
|-------------------------|--------------|
| Conductor sealing range | Blind sleeve |
| Seal size               | small        |
| Design, Format          | Blind sleeve |
| Design, Cable seal      | closed       |

### Environmental and real-life conditions

#### Ambient conditions

|                                 |  |
|---------------------------------|--|
| Degree of protection            | IP54 (Observe the assembly instructions) |
| Ambient temperature (operation) | -40 °C ... 80 °C (static)                |

### Mounting

|                       |  |
|-----------------------|--|
| Assembly instructions | IP54: for vertical sealing frame mounting/for horizontal sealing frame mounting (downward cable outlet direction). |
|-----------------------|--|

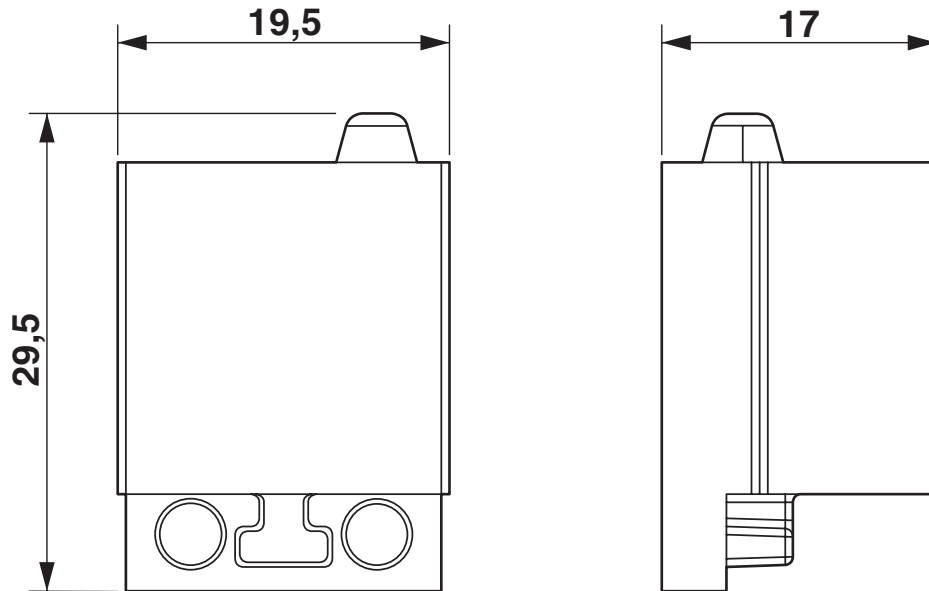
# CES-STPG-GY - Blind sleeve

0801715

<https://www.phoenixcontact.com/in/products/0801715>

## Drawings

Dimensional drawing



Dimensional drawing

# CES-STPG-GY - Blind sleeve



0801715

<https://www.phoenixcontact.com/in/products/0801715>

## Approvals



**cUL Recognized**

Approval ID: NITW8.E255026



**UL Recognized**

Approval ID: NITW2.E255026

# CES-STPG-GY - Blind sleeve



0801715

<https://www.phoenixcontact.com/in/products/0801715>

## Classifications

### ECLASS

|             |          |
|-------------|----------|
| ECLASS-11.0 | 27144425 |
| ECLASS-12.0 | 27144425 |
| ECLASS-13.0 | 27144425 |

### ETIM

|          |          |
|----------|----------|
| ETIM 8.0 | EC000451 |
|----------|----------|

### UNSPSC

|             |          |
|-------------|----------|
| UNSPSC 21.0 | 39121400 |
|-------------|----------|

# CES-STPG-GY - Blind sleeve



0801715

<https://www.phoenixcontact.com/in/products/0801715>

## Environmental Product Compliance

|            |   |
|------------|---|
| China RoHS | Environmentally friendly use period: unlimited = EFUP-e |
|            | No hazardous substances above threshold values          |

# CES-STPG-GY - Blind sleeve

0801715

<https://www.phoenixcontact.com/in/products/0801715>



## Accessories

### CES-B10-HFFS-PLBK - Sealing frame

0801663

<https://www.phoenixcontact.com/in/products/0801663>



Sealing frame with locking latch, size B10, with flat gasket, for 6 small sleeves

---

### CES-B16-HFFS-PLBK - Sealing frame

0801662

<https://www.phoenixcontact.com/in/products/0801662>



Sealing frame with locking latch, size B16, with flat gasket, for 8 small sleeves

# CES-STPG-GY - Blind sleeve

0801715

<https://www.phoenixcontact.com/in/products/0801715>



## CES-B24-HFFS-PLBK - Sealing frame

0801661

<https://www.phoenixcontact.com/in/products/0801661>



Sealing frame with locking latch, size B24, with flat gasket, for 10 small sleeves

---

## CES-B10-SFFS-PLBK - Sealing frame

0801660

<https://www.phoenixcontact.com/in/products/0801660>



Sealing frame with screw locking, size B10, with flat gasket, for 6 small sleeves



# CES-STPG-GY - Blind sleeve

0801715

<https://www.phoenixcontact.com/in/products/0801715>



## CES-B16-SFFS-PLBK - Sealing frame

0801659

<https://www.phoenixcontact.com/in/products/0801659>



Sealing frame with screw locking, size B16, with flat gasket, for 8 small sleeves

---

## CES-B24-SFFS-PLBK - Sealing frame

0801658

<https://www.phoenixcontact.com/in/products/0801658>



Sealing frame with screw locking, size B24, with flat gasket, for 10 small sleeves

---

Phoenix Contact 2023 © - all rights reserved  
<https://www.phoenixcontact.com>

PHOENIX CONTACT (I) Pvt. Ltd.  
A-58/2, Okhla Industrial Area, Phase - II, New Delhi-110 020

+91.1275.71420  
[info@phoenixcontact.co.in](mailto:info@phoenixcontact.co.in)