

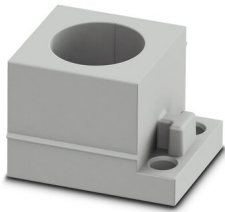
CES-STPG-GY-14 - Cable sleeve



0801686

<https://www.phoenixcontact.com/in/products/0801686>

Please be informed that the data shown in this PDF document is generated from our Online Catalog. Please find the complete data in the user documentation. Our General Terms of Use for Downloads are valid.



Cable sleeve, small, no. of conductors: 1, type: Round cable, slotted, external cable diameter: 1x 13 mm ... 14 mm, material: SEBS (halogen-free), color: gray, length: 29.5 mm, width: 19.5 mm, height: 17 mm

Product Description

Slotted cable sleeve

Commercial Data

| | |
|--------------------------------------|---------------------|
| Item number | 0801686 |
| Packing unit | 10 pc |
| Minimum order quantity | 10 pc |
| Sales Key | BF7 |
| Product Key | BF7CCX |
| Catalog Page | Page 680 (C-2-2019) |
| GTIN | 4046356674904 |
| Weight per Piece (including packing) | 5.57 g |
| Weight per Piece (excluding packing) | 5.57 g |
| Customs tariff number | 40169997 |
| Country of origin | PL |

CES-STPG-GY-14 - Cable sleeve

0801686

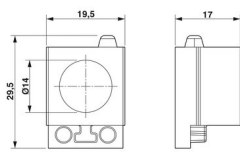
<https://www.phoenixcontact.com/in/products/0801686>

Technical Data

Product properties

| | |
|-------------------|--------------|
| Product type | Cable sleeve |
| No. of conductors | 1 |

Dimensions

| | |
|---------------------|--|
| Dimensional drawing |  |
| Width | 19.5 mm |
| Height | 17 mm |
| Length | 29.5 mm |

Material specifications

| | |
|--|------|
| Color | gray |
| Material | SEBS |
| Flammability rating according to UL 94 | V0 |

Cable/line

| | |
|-------------------------|--------------------|
| External cable diameter | 1x 13 mm ... 14 mm |
|-------------------------|--------------------|

Characteristics

| | |
|--------------------|-------------|
| Seal size | small |
| Design, Format | Round cable |
| Design, Cable seal | slotted |

Environmental and real-life conditions

Ambient conditions

| | |
|---------------------------------|---------------------------|
| Degree of protection | IP54 |
| Ambient temperature (operation) | -40 °C ... 80 °C (static) |

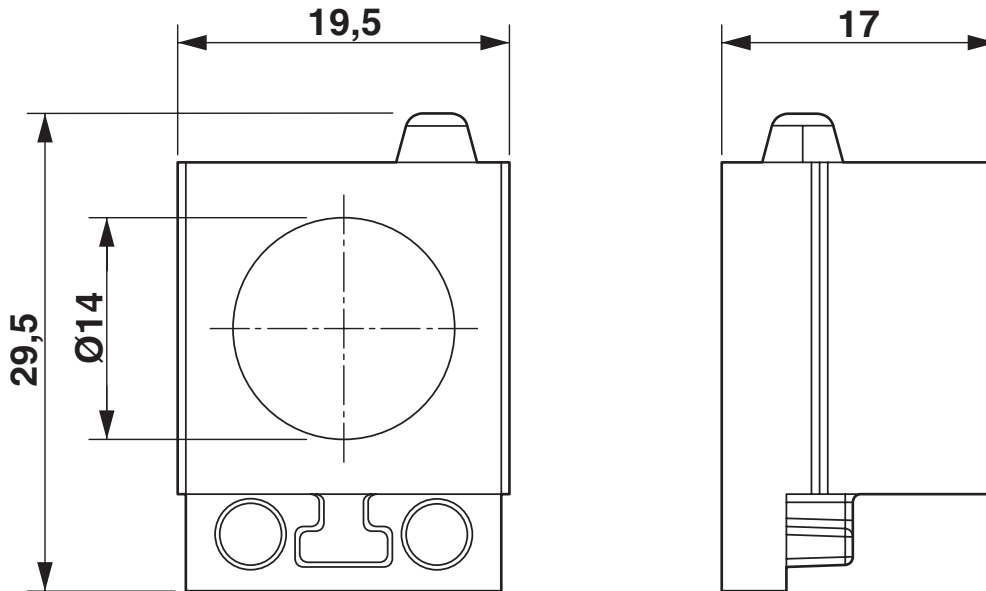
CES-STPG-GY-14 - Cable sleeve

0801686

<https://www.phoenixcontact.com/in/products/0801686>

Drawings

Dimensional drawing



Dimensional drawing

CES-STPG-GY-14 - Cable sleeve



0801686

<https://www.phoenixcontact.com/in/products/0801686>

Approvals



cUL Recognized

Approval ID: NITW8.E255026



UL Recognized

Approval ID: NITW2.E255026

CES-STPG-GY-14 - Cable sleeve



0801686

<https://www.phoenixcontact.com/in/products/0801686>

Classifications

ECLASS

| | |
|-------------|----------|
| ECLASS-11.0 | 27144425 |
| ECLASS-12.0 | 27144425 |
| ECLASS-13.0 | 27144425 |

ETIM

| | |
|----------|----------|
| ETIM 8.0 | EC000451 |
|----------|----------|

UNSPSC

| | |
|-------------|----------|
| UNSPSC 21.0 | 39121400 |
|-------------|----------|

CES-STPG-GY-14 - Cable sleeve



0801686

<https://www.phoenixcontact.com/in/products/0801686>

Environmental Product Compliance

| | |
|------------|---|
| China RoHS | Environmentally friendly use period: unlimited = EFUP-e |
| | No hazardous substances above threshold values |

CES-STPG-GY-14 - Cable sleeve

0801686

<https://www.phoenixcontact.com/in/products/0801686>



Accessories

KDT-ST 14 - Filler plugs

3062032

<https://www.phoenixcontact.com/in/products/3062032>

Filler plugs, material: PA, length: 20 mm, diameter: 14 mm



CES-B10-HFFS-PLBK - Sealing frame

0801663

<https://www.phoenixcontact.com/in/products/0801663>

Sealing frame with locking latch, size B10, with flat gasket, for 6 small sleeves



CES-STPG-GY-14 - Cable sleeve

0801686

<https://www.phoenixcontact.com/in/products/0801686>

CES-B16-HFFS-PLBK - Sealing frame

0801662

<https://www.phoenixcontact.com/in/products/0801662>

Sealing frame with locking latch, size B16, with flat gasket, for 8 small sleeves



CES-B24-HFFS-PLBK - Sealing frame

0801661

<https://www.phoenixcontact.com/in/products/0801661>

Sealing frame with locking latch, size B24, with flat gasket, for 10 small sleeves



CES-STPG-GY-14 - Cable sleeve

0801686

<https://www.phoenixcontact.com/in/products/0801686>



CES-B10-SFFS-PLBK - Sealing frame

0801660

<https://www.phoenixcontact.com/in/products/0801660>



Sealing frame with screw locking, size B10, with flat gasket, for 6 small sleeves

CES-B16-SFFS-PLBK - Sealing frame

0801659

<https://www.phoenixcontact.com/in/products/0801659>



Sealing frame with screw locking, size B16, with flat gasket, for 8 small sleeves

CES-STPG-GY-14 - Cable sleeve

0801686

<https://www.phoenixcontact.com/in/products/0801686>



CES-B24-SFFS-PLBK - Sealing frame

0801658

<https://www.phoenixcontact.com/in/products/0801658>



Sealing frame with screw locking, size B24, with flat gasket, for 10 small sleeves

Phoenix Contact 2023 © - all rights reserved

<https://www.phoenixcontact.com>

PHOENIX CONTACT (I) Pvt. Ltd.

A-58/2, Okhla Industrial Area, Phase - II, New Delhi-110 020

+91.1275.71420

info@phoenixcontact.co.in