

CES-B10-SF-PLBK - Snap-on frame



0801655

<https://www.phoenixcontact.com/in/products/0801655>

Please be informed that the data shown in this PDF document is generated from our Online Catalog. Please find the complete data in the user documentation. Our General Terms of Use for Downloads are valid.



Snap-on frame, design: B10, material: PA (halogen-free), color: black, length: 108 mm, width: 64 mm, height: 39 mm

Your advantages

- Can also be used for standard panel cutouts for heavy-duty industrial connectors

Commercial Data

Item number	0801655
Packing unit	1 pc
Minimum order quantity	1 pc
Sales Key	BF7
Product Key	BF7CBX
Catalog Page	Page 677 (C-2-2019)
GTIN	4046356674157
Weight per Piece (including packing)	87 g
Weight per Piece (excluding packing)	53.55 g
Customs tariff number	39269097
Country of origin	PL

CES-B10-SF-PLBK - Snap-on frame

0801655

<https://www.phoenixcontact.com/in/products/0801655>

Technical Data

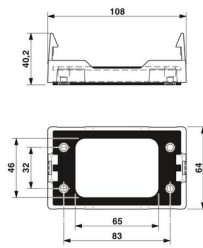
Notes

General	Mounting screws not supplied as standard. The maximum width of the panel cutout must not exceed 51 mm (instead of 35 mm for heavy-duty industrial connectors).
---------	--

Product properties

Type	B10
Product type	Frame for cable sleeves
Frame type	Snap-on frame

Dimensions

Dimensional drawing	
Width	64 mm
Height	39 mm
Length	108 mm
Drill hole distance, horizontal	32 mm
Drill hole distance, vertical	83 mm
Hole diameter	4.5 mm

Installation dimensions

Width of the assembly cutout	35 mm
Length of the assembly cutout	65 mm

Material specifications

Color	black
Material	PA
Flammability rating according to UL 94	V0

Environmental and real-life conditions

Ambient conditions

Degree of protection	IP54
Ambient temperature (operation)	-20 °C ... 80 °C (static)

Mounting

Assembly instructions	M4 mounting screw, 1.8 Nm torque. A video tutorial on how to assemble the product can be found in
-----------------------	--

CES-B10-SF-PLBK - Snap-on frame



0801655

<https://www.phoenixcontact.com/in/products/0801655>

the Downloads area, in the Video category.

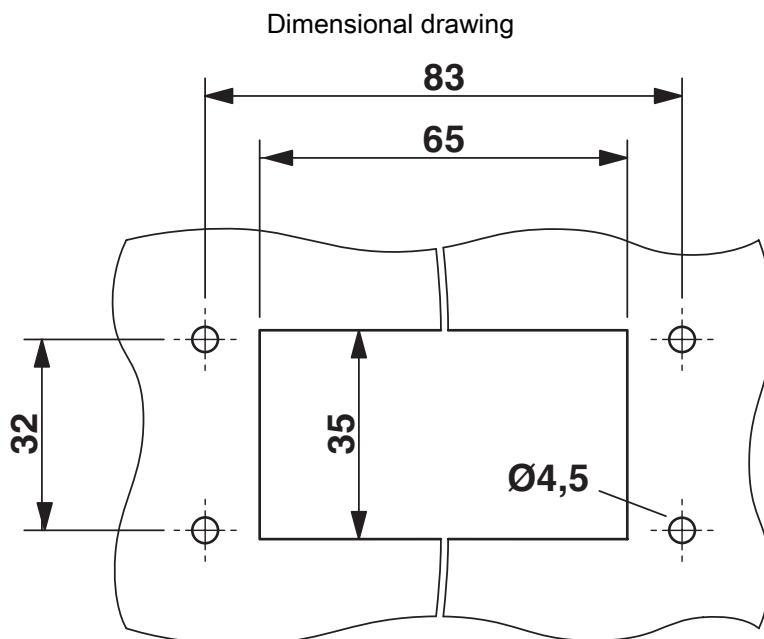
CES-B10-SF-PLBK - Snap-on frame

0801655

<https://www.phoenixcontact.com/in/products/0801655>



Drawings



Mounting cutout

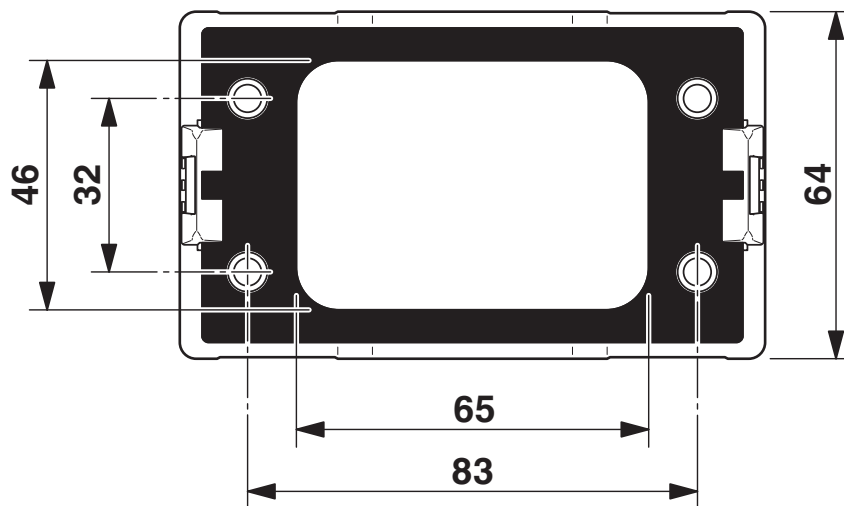
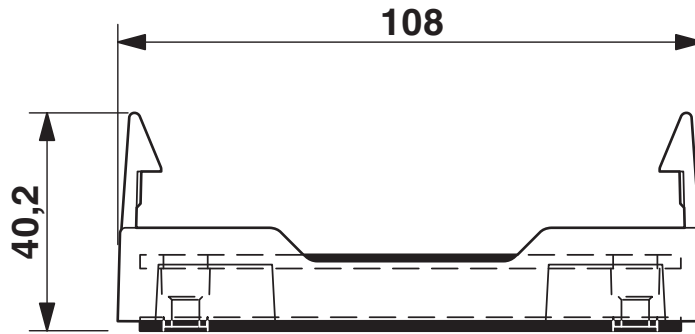
CES-B10-SF-PLBK - Snap-on frame

0801655

<https://www.phoenixcontact.com/in/products/0801655>



Dimensional drawing



Dimensional drawing

CES-B10-SF-PLBK - Snap-on frame



0801655

<https://www.phoenixcontact.com/in/products/0801655>

Classifications

ECLASS

ECLASS-11.0	27440192
ECLASS-12.0	27440192
ECLASS-13.0	27440192

ETIM

ETIM 8.0	EC002943
----------	----------

UNSPSC

UNSPSC 21.0	39121400
-------------	----------

CES-B10-SF-PLBK - Snap-on frame



0801655

<https://www.phoenixcontact.com/in/products/0801655>

Environmental Product Compliance

China RoHS	Environmentally friendly use period: unlimited = EFUP-e
	No hazardous substances above threshold values

CES-B10-SF-PLBK - Snap-on frame

0801655

<https://www.phoenixcontact.com/in/products/0801655>



Accessories

CES-B10-SFC-M-15,6 - Locking element

1423743

<https://www.phoenixcontact.com/in/products/1423743>

Locking element, design: B10, material: Steel, galvanized, length: 99 mm, width: 57 mm, height: 15.6 mm



CES-B10-HFFS-PLBK - Sealing frame

0801663

<https://www.phoenixcontact.com/in/products/0801663>

Sealing frame with locking latch, size B10, with flat gasket, for 6 small sleeves



CES-B10-SF-PLBK - Snap-on frame

0801655

<https://www.phoenixcontact.com/in/products/0801655>



CES-B10-SFFS-PLBK - Sealing frame

0801660

<https://www.phoenixcontact.com/in/products/0801660>



Sealing frame with screw locking, size B10, with flat gasket, for 6 small sleeves

Phoenix Contact 2023 © - all rights reserved

<https://www.phoenixcontact.com>

PHOENIX CONTACT (I) Pvt. Ltd.

A-58/2, Okhla Industrial Area, Phase - II, New Delhi-110 020

+91.1275.71420

info@phoenixcontact.co.in