

AP 3-TNS 35 - Cover

5022672

<https://www.phoenixcontact.com/in/products/5022672>

Please be informed that the data shown in this PDF document is generated from our online catalog. Please find the complete data in the user documentation. Our general terms of use for downloads are valid.



Sealable cover profile, for mounting on NS 35/7.5 DIN rail and for fixing the cover profile AP 3, with plastic knurled nut M5, space requirement: 13 mm

Your advantages

- Large-surface labeling with AP-ES insert strips
- Cover profiles provide protection against unauthorized actuation of terminal strips

Commercial data

Item number	5022672
Packing unit	10 pc
Minimum order quantity	10 pc
Sales key	BE6
Product key	BE61ZX
Catalog page	Page 548 (C-3-2019)
GTIN	4017918095277
Weight per piece (including packing)	18.45 g
Weight per piece (excluding packing)	18 g
Customs tariff number	85389099
Country of origin	DE

AP 3-TNS 35 - Cover

5022672

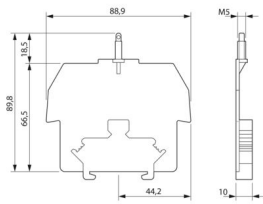
<https://www.phoenixcontact.com/in/products/5022672>

Technical data

Product properties

Product type	Cover profile carrier
--------------	-----------------------

Dimensions

Dimensional drawing	
Width	10 mm
Height	89 mm
Depth	90 mm
Depth on NS 35/7,5	92.5 mm
Depth on NS 35/15	100 mm
Length	89 mm

Material specifications

Color	gray
Material	PA
Flammability rating according to UL 94	V2

Environmental and real-life conditions

Ambient conditions

Ambient temperature (operation)	-60 °C ... 105 °C (max. short-term operating temperature RTI Elec.)
Ambient temperature (storage/transport)	-25 °C ... 60 °C (for a short time, not exceeding 24 h, -60 °C to +70 °C)
Ambient temperature (assembly)	-5 °C ... 70 °C
Ambient temperature (actuation)	-5 °C ... 70 °C
Permissible humidity (storage/transport)	30 % ... 70 %

AP 3-TNS 35 - Cover

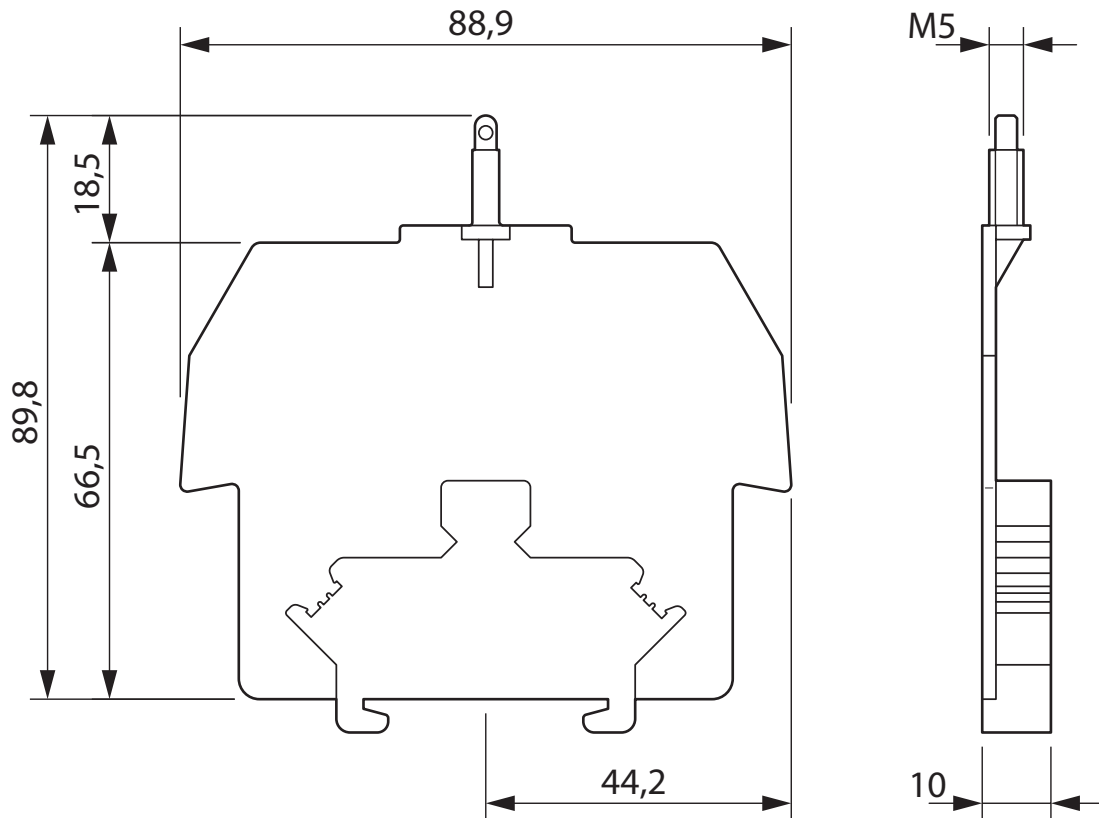
5022672

<https://www.phoenixcontact.com/in/products/5022672>



Drawings

Dimensional drawing



AP 3-TNS 35 - Cover

5022672

<https://www.phoenixcontact.com/in/products/5022672>



Classifications

ECLASS

ECLASS-11.0	27371392
ECLASS-12.0	27371392
ECLASS-13.0	27371392

ETIM

ETIM 9.0	EC002498
----------	----------

UNSPSC

UNSPSC 21.0	39121100
-------------	----------

AP 3-TNS 35 - Cover



5022672

<https://www.phoenixcontact.com/in/products/5022672>

Environmental product compliance

EU RoHS

Fulfills EU RoHS substance requirements	Yes, No exemptions
-----------------------------------------	--------------------

China RoHS

Environment friendly use period (EFUP)	EFUP-E
	No hazardous substances above the limits

EU REACH SVHC

REACH candidate substance (CAS No.)	No substance above 0.1 wt%
-------------------------------------	----------------------------

AP 3-TNS 35 - Cover

5022672

<https://www.phoenixcontact.com/in/products/5022672>

Accessories

AP 3 METER - Cover profile

5022643

<https://www.phoenixcontact.com/in/products/5022643>



Cover profile, for covering terminal strips, snaps onto cover profile carrier AP 3-TU, AP 3-TNS 35, can be marked with insert strip AP-ES. Cover profile carriers should be placed at the ends and at intervals of approx. 40 cm. Length: 1 m

AP 3 CM - Cover profile

5022876

<https://www.phoenixcontact.com/in/products/5022876>



Cover profile for covering terminal strips, snaps onto AP 3-TU, AP 3-TNS 35 cover profile carriers, can be labeled with AP-ES insert strip. A cover profile carrier is to be positioned at the ends and at intervals of around approx. 40 cm. Supply length: As per customer order

Phoenix Contact 2024 © - all rights reserved

<https://www.phoenixcontact.com>

PHOENIX CONTACT (I) Pvt. Ltd.

A-58/2, Okhla Industrial Area, Phase - II, New Delhi-110 020

+91.1275.71420

info@phoenixcontact.co.in