

WCC 14 - Cable clamp

3240252

<https://www.phoenixcontact.com/in/products/3240252>

Please be informed that the data shown in this PDF document is generated from our online catalog. Please find the complete data in the user documentation. Our general terms of use for downloads are valid.

Cable clamp, for DIN rails



Your advantages

- The cable clamps provide strain relief
- The halogen-free plastic troughs have been designed to be perfectly secure while simultaneously protecting the conductors
- Individual or bundled cables with a diameter of up to 14 mm can be installed safely and easily

Commercial data

Item number	3240252
Packing unit	25 pc
Minimum order quantity	25 pc
Sales key	BE7
Product key	BE7421
Catalog page	Page 583 (C-3-2019)
GTIN	4046356464543
Weight per piece (including packing)	35.06 g
Weight per piece (excluding packing)	32.06 g
Customs tariff number	73269098
Country of origin	CN

WCC 14 - Cable clamp

3240252

<https://www.phoenixcontact.com/in/products/3240252>



Technical data

Product properties

Product type	Cable feed-through
--------------	--------------------

Material specifications

Material	Steel
Coating	galvanized

Cable/line

External cable diameter	6 mm ... 14 mm
-------------------------	----------------

Mounting

Mounting type	DIN rail mounting
---------------	-------------------

WCC 14 - Cable clamp

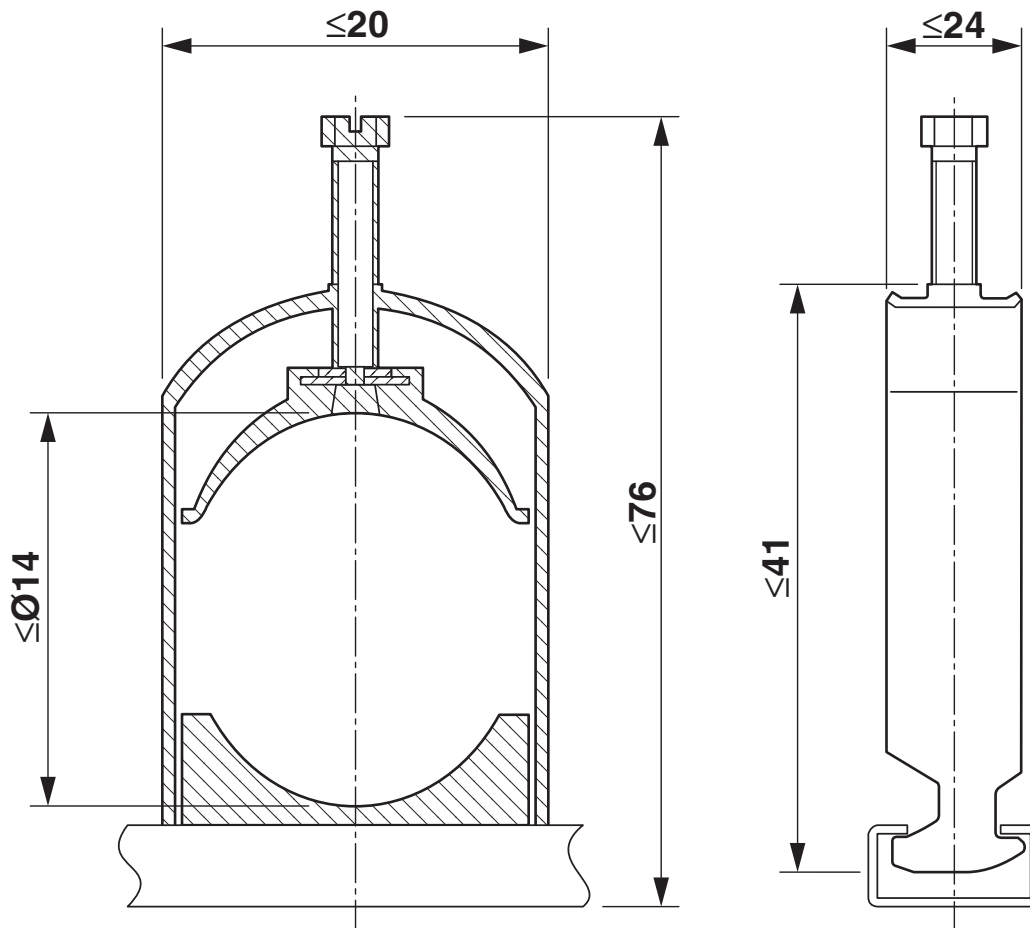
3240252

<https://www.phoenixcontact.com/in/products/3240252>



Drawings

Dimensional drawing



WCC 14 - Cable clamp

3240252

<https://www.phoenixcontact.com/in/products/3240252>



Classifications

ECLASS

ECLASS-11.0	23159090
ECLASS-13.0	23159090
ECLASS-12.0	23159090

ETIM

ETIM 9.0	EC000464
----------	----------

UNSPSC

UNSPSC 21.0	31162900
-------------	----------

WCC 14 - Cable clamp



3240252

<https://www.phoenixcontact.com/in/products/3240252>

Environmental product compliance

EU RoHS

Fulfills EU RoHS substance requirements	Yes, No exemptions
---	--------------------

China RoHS

Environment friendly use period (EFUP)	EFUP-E
	No hazardous substances above the limits

EU REACH SVHC

REACH candidate substance (CAS No.)	No substance above 0.1 wt%
-------------------------------------	----------------------------

WCC 14 - Cable clamp

3240252

<https://www.phoenixcontact.com/in/products/3240252>



Accessories

NS 30/15 PERF 2000MM VPE 10 - DIN rail perforated

3240262

<https://www.phoenixcontact.com/in/products/3240262>



DIN rail perforated, Pack of 10 (20 m), similar to EN 60715, material: Steel, galvanized, C profile

Phoenix Contact 2024 © - all rights reserved
<https://www.phoenixcontact.com>

PHOENIX CONTACT (I) Pvt. Ltd.
A-58/2, Okhla Industrial Area, Phase - II, New Delhi-110 020

+91.1275.71420
info@phoenixcontact.co.in