

AI 16 -12 GN - Ferrule

3201152

<https://www.phoenixcontact.com/in/products/3201152>

Please be informed that the data shown in this PDF document is generated from our online catalog. Please find the complete data in the user documentation. Our general terms of use for downloads are valid.

Ferrule, sleeve length: 12 mm, color: green



Your advantages

- The ferrules with plastic sleeve are made from soft tin-plated electrolytic copper
- The AI 0,25... can also be used to process 0.14 mm² conductors
- In terms of dimensions, they correspond to DIN 46228-4: 1990-09

Commercial data

Item number	3201152
Packing unit	100 pc
Minimum order quantity	100 pc
Sales key	BH3
Product key	BH3411
Catalog page	Page 483 (C-3-2019)
GTIN	4017918094706
Weight per piece (including packing)	0.776 g
Weight per piece (excluding packing)	0.6 g
Customs tariff number	85369010
Country of origin	DE

Technical data

Product properties

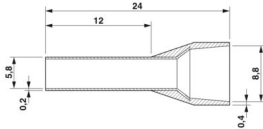
Product type	Cable end sleeve
Conductor category	stranded conductors, class 2, 5, 6 / B, C, K, M

Connection data

Conductor connection

Conductor cross section flexible max.	16 mm ²
Conductor cross section AWG max.	6
Stripping length	16 mm

Dimensions

Dimensional drawing	
Sleeve length	12 mm
Maximum stripping length	16 mm
Ferrule diameter	5.8 mm
Sleeve wall thickness	0.2 mm
Insulating collar thickness	0.4 mm
Inner dimensions of the insulating collar	8.8 mm

Material specifications

Color	green
Material	CU-DHP
Flammability rating according to UL 94	HB
Coating	tin-plated (galvanic)
Components	free from silicone and halogen

Mechanical properties

Technical data

Sleeve length	12 mm
---------------	-------

Environmental and real-life conditions

Ambient conditions

Permanent temperature	105 °C (-40 °C no load / 0 °C dynamic load)
Short-term temperature	120 °C

Standards and regulations

AI 16 -12 GN - Ferrule

3201152

<https://www.phoenixcontact.com/in/products/3201152>



Design according to standard

Special color

AI 16 -12 GN - Ferrule

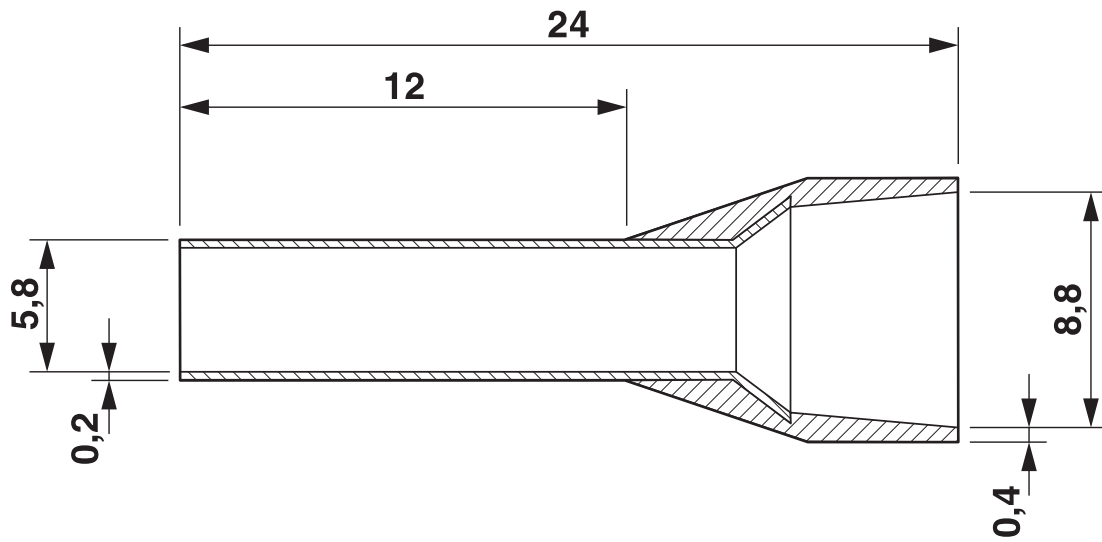
3201152

<https://www.phoenixcontact.com/in/products/3201152>



Drawings

Dimensional drawing



AI 16 -12 GN - Ferrule



3201152

<https://www.phoenixcontact.com/in/products/3201152>

Approvals

🔗 To download certificates, visit the product detail page: <https://www.phoenixcontact.com/in/products/3201152>



cULus Listed

Approval ID: E488001

AI 16 -12 GN - Ferrule



3201152

<https://www.phoenixcontact.com/in/products/3201152>

Classifications

ECLASS

ECLASS-11.0	27400201
ECLASS-13.0	27400201
ECLASS-12.0	27400201

ETIM

ETIM 9.0	EC000005
----------	----------

UNSPSC

UNSPSC 21.0	27121700
-------------	----------

AI 16 -12 GN - Ferrule



3201152

<https://www.phoenixcontact.com/in/products/3201152>

Environmental product compliance

EU RoHS

Fulfills EU RoHS substance requirements	Yes, No exemptions
---	--------------------

China RoHS

Environment friendly use period (EFUP)	EFUP-E
	No hazardous substances above the limits

EU REACH SVHC

REACH candidate substance (CAS No.)	No substance above 0.1 wt%
-------------------------------------	----------------------------

AI 16 -12 GN - Ferrule

3201152

<https://www.phoenixcontact.com/in/products/3201152>



Accessories

CRIMPFOX 25R - Crimping pliers

1212039

<https://www.phoenixcontact.com/in/products/1212039>



Crimping pliers, for ferrules without insulating collar according to DIN 46228 Part 1 and ferrules with insulating collar according to DIN 46228 Part 4, 10 mm² ... 25 mm², lateral entry, WM crimp

CRIMPFOX DUO 16S - Crimping pliers

1202877

<https://www.phoenixcontact.com/in/products/1202877>



Crimping pliers, contact type: insulated and uninsulated ferrules, standards/regulations: DIN 46228-1, DIN 46228-4, UL 486F, Form A, E, F, cross-section, minimum: 0.14 mm², cross-section, maximum: 16 mm², for TWIN ferrules up to 2 mm² x 6 mm², automatic cross-section adjustment, rotating dies, lateral and front entry, crimping: square

Phoenix Contact 2024 © - all rights reserved

<https://www.phoenixcontact.com>

PHOENIX CONTACT (I) Pvt. Ltd.

A-58/2, Okhla Industrial Area, Phase - II, New Delhi-110 020

+91.1275.71420

info@phoenixcontact.co.in