

AI 0,5 - 8 OG - Ferrule

3201123

<https://www.phoenixcontact.com/in/products/3201123>

Please be informed that the data shown in this PDF document is generated from our online catalog. Please find the complete data in the user documentation. Our general terms of use for downloads are valid.

Ferrule, sleeve length: 8 mm, color: orange



Your advantages

- The ferrules with plastic sleeve are made from soft tin-plated electrolytic copper
- The AI 0,25... can also be used to process 0.14 mm² conductors
- In terms of dimensions, they correspond to DIN 46228-4: 1990-09

Commercial data

Item number	3201123
Packing unit	100 pc
Minimum order quantity	100 pc
Sales key	BH3
Product key	BH3411
Catalog page	Page 483 (C-3-2019)
GTIN	4017918094676
Weight per piece (including packing)	0.079 g
Weight per piece (excluding packing)	0.074 g
Customs tariff number	85369010
Country of origin	DE

AI 0,5 - 8 OG - Ferrule

3201123

<https://www.phoenixcontact.com/in/products/3201123>



Technical data

Product properties

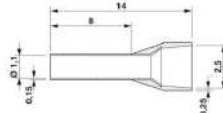
Product type	Cable end sleeve
Conductor category	stranded conductors, class 2, 5, 6 / B, C, K, M

Connection data

Conductor connection

Conductor cross section flexible max.	0.5 mm ²
Conductor cross section AWG max.	20
Stripping length	11 mm

Dimensions

Dimensional drawing	
Sleeve length	8 mm
Maximum stripping length	11 mm
Ferrule diameter	1.1 mm
Sleeve wall thickness	0.15 mm
Insulating collar thickness	0.25 mm
Inner dimensions of the insulating collar	2.5 mm

Material specifications

Color	orange
Material	CU-DHP
Flammability rating according to UL 94	HB
Coating	tin-plated (galvanic)
Components	free from silicone and halogen

Mechanical properties

Technical data

Sleeve length	8 mm
---------------	------

Environmental and real-life conditions

Ambient conditions

Permanent temperature	105 °C (-40 °C no load / 0 °C dynamic load)
Short-term temperature	120 °C

Standards and regulations

AI 0,5 - 8 OG - Ferrule

3201123

<https://www.phoenixcontact.com/in/products/3201123>



Design according to standard

Special color

AI 0,5 - 8 OG - Ferrule

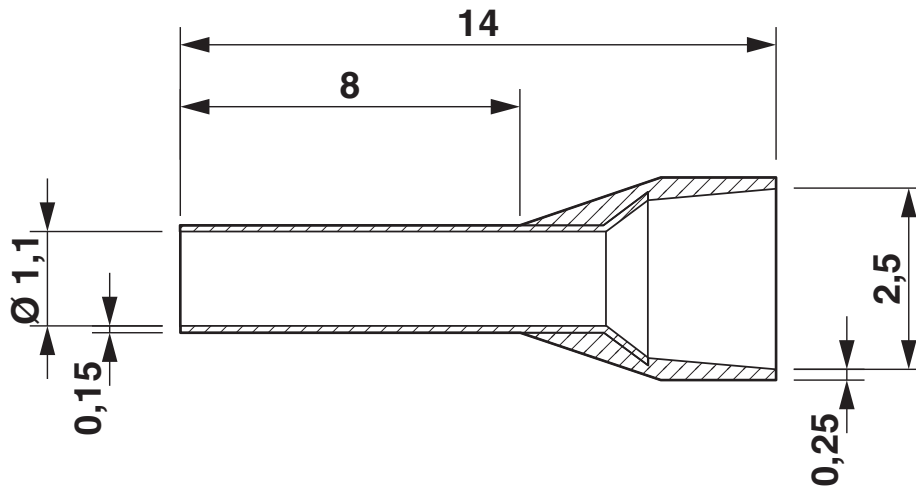
3201123

<https://www.phoenixcontact.com/in/products/3201123>



Drawings

Dimensional drawing



AI 0,5 - 8 OG - Ferrule

3201123

<https://www.phoenixcontact.com/in/products/3201123>



Approvals

🔗 To download certificates, visit the product detail page: <https://www.phoenixcontact.com/in/products/3201123>



cULus Listed

Approval ID: E488001

AI 0,5 - 8 OG - Ferrule

3201123

<https://www.phoenixcontact.com/in/products/3201123>



Classifications

ECLASS

ECLASS-11.0	27400201
ECLASS-13.0	27400201
ECLASS-12.0	27400201

ETIM

ETIM 9.0	EC000005
----------	----------

UNSPSC

UNSPSC 21.0	27121700
-------------	----------

AI 0,5 - 8 OG - Ferrule



3201123

<https://www.phoenixcontact.com/in/products/3201123>

Environmental product compliance

EU RoHS

Fulfills EU RoHS substance requirements	Yes, No exemptions
---	--------------------

China RoHS

Environment friendly use period (EFUP)	EFUP-E
	No hazardous substances above the limits

EU REACH SVHC

REACH candidate substance (CAS No.)	No substance above 0.1 wt%
-------------------------------------	----------------------------

AI 0,5 - 8 OG - Ferrule

3201123

<https://www.phoenixcontact.com/in/products/3201123>



Accessories

CRIMPFOX CENTRUS 6S - Crimping pliers

1213144

<https://www.phoenixcontact.com/in/products/1213144>



Crimping pliers, for uninsulated and insulated ferrules, DIN 46228 Part 1 and 4, from 0.14 mm² ... 6 mm², also for TWIN ferrules up to 2 x 4 mm², automatic cross section adjustment, lateral insertion, equipped with fall protection

CRIMPFOX CENTRUS 6H - Crimping pliers

1213146

<https://www.phoenixcontact.com/in/products/1213146>



Crimping pliers, for uninsulated and insulated ferrules, DIN 46228 Part 1 and 4, from 0.14 mm² ... 6 mm², also for TWIN ferrules up to 2 x 4 mm², automatic cross section adjustment, lateral insertion, equipped with fall protection

AI 0,5 - 8 OG - Ferrule

3201123

<https://www.phoenixcontact.com/in/products/3201123>



CRIMPFOX CENTRUS 10S - Crimping pliers

1213154

<https://www.phoenixcontact.com/in/products/1213154>



Crimping pliers, for uninsulated and insulated ferrules, DIN 46228 Part 1 and 4, from 0.14 mm² ... 10 mm², also for TWIN ferrules up to 2 x 4 mm², automatic cross section adjustment, lateral insertion, equipped with fall protection

CRIMPFOX CENTRUS 10H - Crimping pliers

1213156

<https://www.phoenixcontact.com/in/products/1213156>



Crimping pliers, for uninsulated and insulated ferrules, DIN 46228 Part 1 and 4, from 0.14 mm² ... 10 mm², also for TWIN ferrules up to 2 x 4 mm², automatic cross section adjustment, lateral insertion, equipped with fall protection

AI 0,5 - 8 OG - Ferrule

3201123

<https://www.phoenixcontact.com/in/products/3201123>



CRIMPFOX 2,5-M - Crimping pliers

1212719

<https://www.phoenixcontact.com/in/products/1212719>



Crimping pliers, for ferrules without insulating collar according to DIN 46228 Part 1 and ferrules with insulating collar according to DIN 46228 Part 4, 0.25 mm² ... 2.5 mm², lateral entry, trapezoidal crimp

CRIMPFOX 6-M - Crimping pliers

1212720

<https://www.phoenixcontact.com/in/products/1212720>



Crimping pliers, for ferrules without insulating collar according to DIN 46228 Part 1 and ferrules with insulating collar according to DIN 46228 Part 4, 0.25 mm² ... 6.0 mm², lateral entry, trapezoidal crimp

AI 0,5 - 8 OG - Ferrule

3201123

<https://www.phoenixcontact.com/in/products/3201123>



CRIMPFOX 6 - Crimping pliers

1212034

<https://www.phoenixcontact.com/in/products/1212034>



Crimping pliers, for ferrules without insulating collar according to DIN 46228 Part 1 and ferrules with insulating collar according to DIN 46228 Part 4, 0.25 mm² ... 6.0 mm², lateral entry, trapezoidal crimp

CRIMPFOX DUO 10 - Crimping pliers

1031721

<https://www.phoenixcontact.com/in/products/1031721>



Crimping pliers, contact connection type: Insulated and uninsulated ferrules, standards/specifications: DIN 46228-1, DIN 46228-4, UL 486F, form A, E, F, min. cross section: 0.14 mm², max. cross section: 10 mm², for TWIN ferrules up to 2 x 4 mm², automatic cross section adjustment, rotating die, lateral and frontal insertion, compression: Trapezoidal crimp, black/green

AI 0,5 - 8 OG - Ferrule

3201123

<https://www.phoenixcontact.com/in/products/3201123>



CRIMPFOX 10T-F - Crimping pliers

1134913

<https://www.phoenixcontact.com/in/products/1134913>



Crimping pliers, contact connection type: Insulated and uninsulated ferrules, standards/specifications: DIN 46228-1, DIN 46228-4, min. cross section: 0.14 mm², max. cross section: 10 mm², For TWIN ferrules up to 2 x 4 mm², automatic cross section adjustment, frontal insertion, compression: Trapezoidal crimp, black

CRIMPFOX DUO 16S - Crimping pliers

1202877

<https://www.phoenixcontact.com/in/products/1202877>



Crimping pliers, contact type: insulated and uninsulated ferrules, standards/regulations: DIN 46228-1, DIN 46228-4, UL 486F, Form A, E, F, cross-section, minimum: 0.14 mm², cross-section, maximum: 16 mm², for TWIN ferrules up to 2 mm² x 6 mm², automatic cross-section adjustment, rotating dies, lateral and front entry, crimping: square

Phoenix Contact 2024 © - all rights reserved
<https://www.phoenixcontact.com>

PHOENIX CONTACT (I) Pvt. Ltd.
A-58/2, Okhla Industrial Area, Phase - II, New Delhi-110 020

+91.1275.71420
info@phoenixcontact.co.in