

# A 16 -12 - Ferrule

3200425

<https://www.phoenixcontact.com/in/products/3200425>



Please be informed that the data shown in this PDF document is generated from our online catalog. Please find the complete data in the user documentation. Our general terms of use for downloads are valid.

Ferrule, color: silver



## Your advantages

- The dimensions of the ferrules conform to DIN 46228-1
- The ferrules without plastic sleeve are made from soft tin-plated electrolytic copper

## Commercial data

Item number	3200425
Packing unit	100 pc
Minimum order quantity	100 pc
Sales key	BH3
Product key	BH3412
Catalog page	Page 480 (C-3-2019)
GTIN	4017918094072
Weight per piece (including packing)	0.422 g
Weight per piece (excluding packing)	0.415 g
Customs tariff number	85369010
Country of origin	DE

# A 16 -12 - Ferrule

3200425

<https://www.phoenixcontact.com/in/products/3200425>



## Technical data

### Product properties

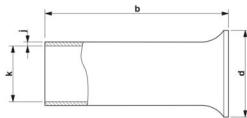
Product type	Cable end sleeve
Conductor category	stranded conductors, class 2, 5, 6 / B, C, K, M

### Connection data

#### Conductor connection

Conductor cross section flexible max.	16 mm <sup>2</sup>
Conductor cross section AWG max.	6
Stripping length	12 mm

### Dimensions

Dimensional drawing	
Maximum stripping length	12 mm
Ferrule diameter	5.8 mm
Sleeve wall thickness	0.2 mm
Inner dimensions of the insulating collar	7.5 mm

### Material specifications

Color	silver
Material	CU-DHP
Coating	tin-plated (galvanic)

### Environmental and real-life conditions

#### Ambient conditions

Permanent temperature	105 °C
Short-term temperature	120 °C

### Standards and regulations

Design according to standard	DIN 46228-1, UL 486F-A
------------------------------	------------------------

# A 16 -12 - Ferrule

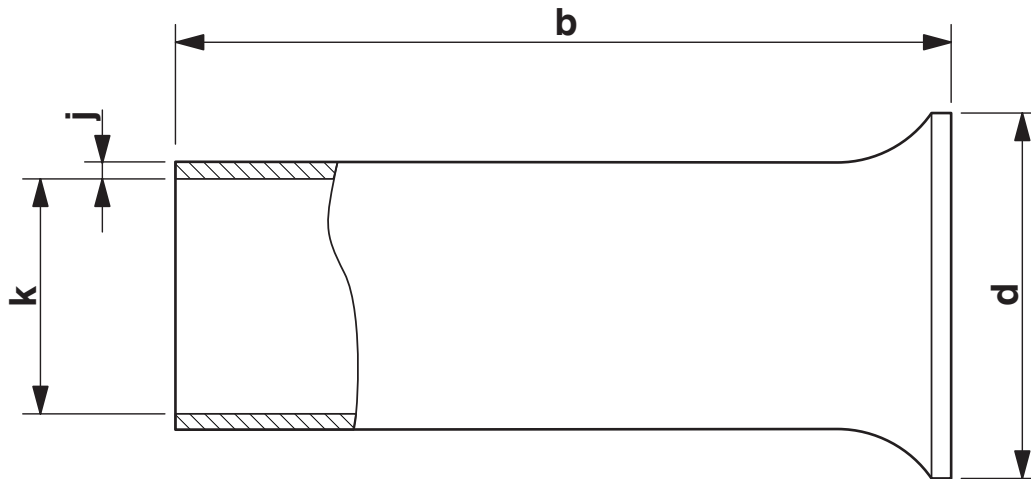
3200425

<https://www.phoenixcontact.com/in/products/3200425>



## Drawings

Dimensional drawing



Sleeve length (b), insulating collar inner dimension (d), sleeve diameter (k), sleeve wall thickness (j)

# A 16 -12 - Ferrule

3200425

<https://www.phoenixcontact.com/in/products/3200425>



## Approvals

To download certificates, visit the product detail page: <https://www.phoenixcontact.com/in/products/3200425>



**UL Listed**

Approval ID: E488001



**cUL Listed**

Approval ID: E488001



**cULus Listed**

Approval ID: E488001

**cULus Listed**

# A 16 -12 - Ferrule

3200425

<https://www.phoenixcontact.com/in/products/3200425>



## Classifications

### ECLASS

ECLASS-11.0	27400201
ECLASS-13.0	27400201
ECLASS-12.0	27400201

### ETIM

ETIM 9.0	EC000005
----------	----------

### UNSPSC

UNSPSC 21.0	27121700
-------------	----------

# A 16 -12 - Ferrule

3200425

<https://www.phoenixcontact.com/in/products/3200425>



## Environmental product compliance

### EU RoHS

Fulfills EU RoHS substance requirements	Yes, No exemptions
---	--------------------

### China RoHS

Environment friendly use period (EFUP)	EFUP-E
	No hazardous substances above the limits

### EU REACH SVHC

REACH candidate substance (CAS No.)	No substance above 0.1 wt%
-------------------------------------	----------------------------

# A 16 -12 - Ferrule

3200425

<https://www.phoenixcontact.com/in/products/3200425>



## Accessories

### CRIMPFOX 25R - Crimping pliers

1212039

<https://www.phoenixcontact.com/in/products/1212039>



Crimping pliers, for ferrules without insulating collar according to DIN 46228 Part 1 and ferrules with insulating collar according to DIN 46228 Part 4, 10 mm<sup>2</sup> ... 25 mm<sup>2</sup>, lateral entry, WM crimp

---

Phoenix Contact 2024 © - all rights reserved  
<https://www.phoenixcontact.com>

PHOENIX CONTACT (I) Pvt. Ltd.  
A-58/2, Okhla Industrial Area, Phase - II, New Delhi-110 020

+91.1275.71420  
[info@phoenixcontact.co.in](mailto:info@phoenixcontact.co.in)