

AI 25 -16 BK - Ferrule

3200412

<https://www.phoenixcontact.com/in/products/3200412>

Please be informed that the data shown in this PDF document is generated from our online catalog. Please find the complete data in the user documentation. Our general terms of use for downloads are valid.

Ferrule, sleeve length: 16 mm, color: black



Your advantages

- In terms of dimensions, these ferrules conform to DIN 46228-4: 1990-09
- The color code of the plastic insulating collar is based on the French standard NF C 63-023: 1994-02
- The metal sleeves are made from soft tin-plated electrolytic copper

Commercial data

Item number	3200412
Packing unit	50 pc
Minimum order quantity	50 pc
Sales key	BH3
Product key	BH3411
Catalog page	Page 482 (C-3-2019)
GTIN	4017918094065
Weight per piece (including packing)	1.22 g
Weight per piece (excluding packing)	0.6 g
Customs tariff number	85369010
Country of origin	DE

AI 25 -16 BK - Ferrule

3200412

<https://www.phoenixcontact.com/in/products/3200412>

Technical data

Product properties

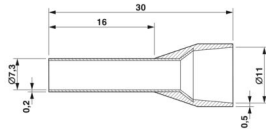
Product type	Cable end sleeve
Conductor category	stranded conductors, class 2, 5, 6 / B, C, K, M

Connection data

Conductor connection

Conductor cross section flexible max.	25 mm ²
Conductor cross section AWG max.	4
Stripping length	20 mm

Dimensions

Dimensional drawing	
Sleeve length	16 mm
Maximum stripping length	20 mm
Ferrule diameter	7.3 mm
Sleeve wall thickness	0.2 mm
Insulating collar thickness	0.5 mm
Inner dimensions of the insulating collar	11 mm

Material specifications

Color	black
Material	CU-DHP
Flammability rating according to UL 94	HB
Coating	tin-plated (galvanic)
Components	free from silicone and halogen

Mechanical properties

Technical data

Sleeve length	16 mm
---------------	-------

Environmental and real-life conditions

Ambient conditions

Permanent temperature	105 °C (-40 °C no load / 0 °C dynamic load)
Short-term temperature	120 °C

Standards and regulations

AI 25 -16 BK - Ferrule

3200412

<https://www.phoenixcontact.com/in/products/3200412>



Design according to standard

NFC 63-023

AI 25 -16 BK - Ferrule

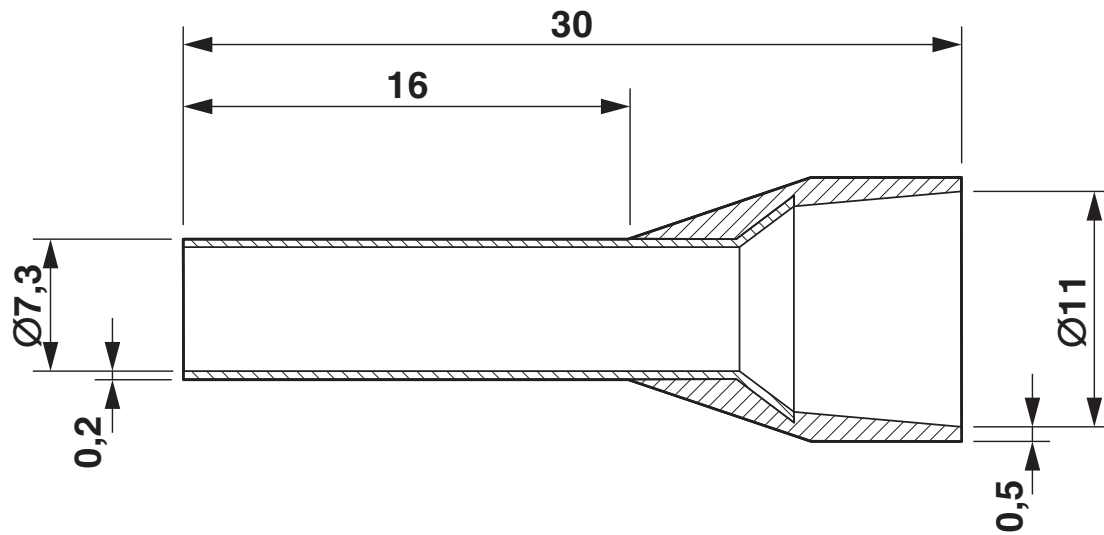
3200412

<https://www.phoenixcontact.com/in/products/3200412>



Drawings

Dimensional drawing



AI 25 -16 BK - Ferrule

3200412

<https://www.phoenixcontact.com/in/products/3200412>



Approvals

To download certificates, visit the product detail page: <https://www.phoenixcontact.com/in/products/3200412>



cULus Listed

Approval ID: E488001

AI 25 -16 BK - Ferrule

3200412

<https://www.phoenixcontact.com/in/products/3200412>



Classifications

ECLASS

ECLASS-11.0	27400201
ECLASS-13.0	27400201
ECLASS-12.0	27400201

ETIM

ETIM 9.0	EC000005
----------	----------

UNSPSC

UNSPSC 21.0	27121700
-------------	----------

AI 25 -16 BK - Ferrule

3200412

<https://www.phoenixcontact.com/in/products/3200412>



Environmental product compliance

EU RoHS

Fulfills EU RoHS substance requirements	Yes, No exemptions
---	--------------------

China RoHS

Environment friendly use period (EFUP)	EFUP-E
	No hazardous substances above the limits

EU REACH SVHC

REACH candidate substance (CAS No.)	No substance above 0.1 wt%
-------------------------------------	----------------------------

AI 25 -16 BK - Ferrule

3200412

<https://www.phoenixcontact.com/in/products/3200412>



Accessories

CRIMPFOX 25R - Crimping pliers

1212039

<https://www.phoenixcontact.com/in/products/1212039>



Crimping pliers, for ferrules without insulating collar according to DIN 46228 Part 1 and ferrules with insulating collar according to DIN 46228 Part 4, 10 mm² ... 25 mm², lateral entry, WM crimp

Phoenix Contact 2024 © - all rights reserved
<https://www.phoenixcontact.com>

PHOENIX CONTACT (I) Pvt. Ltd.
A-58/2, Okhla Industrial Area, Phase - II, New Delhi-110 020

+91.1275.71420
info@phoenixcontact.co.in