

# A 10 -12 - Ferrule

3200331

<https://www.phoenixcontact.com/in/products/3200331>



Please be informed that the data shown in this PDF document is generated from our online catalog. Please find the complete data in the user documentation. Our general terms of use for downloads are valid.

Ferrule, color: silver



## Your advantages

- The dimensions of the ferrules conform to DIN 46228-1
- The ferrules without plastic sleeve are made from soft tin-plated electrolytic copper
- The A 0,25.. ferrules can also be used to process 0.14 mm<sup>2</sup> conductors

## Commercial data

Item number	3200331
Packing unit	500 pc
Minimum order quantity	500 pc
Sales key	BH3
Product key	BH3412
Catalog page	Page 480 (C-3-2019)
GTIN	4017918093983
Weight per piece (including packing)	0.295 g
Weight per piece (excluding packing)	0.295 g
Customs tariff number	85369010
Country of origin	DE

# A 10 -12 - Ferrule

3200331

<https://www.phoenixcontact.com/in/products/3200331>



## Technical data

### Product properties

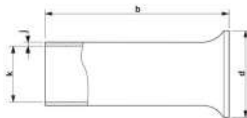
Product type	Cable end sleeve
Conductor category	stranded conductors, class 2, 5, 6 / B, C, K, M

### Connection data

#### Conductor connection

Conductor cross section flexible max.	10 mm <sup>2</sup>
Conductor cross section AWG max.	8
Stripping length	12 mm

### Dimensions

Dimensional drawing	
Maximum stripping length	12 mm
Ferrule diameter	4.5 mm
Sleeve wall thickness	0.2 mm
Inner dimensions of the insulating collar	5.8 mm

### Material specifications

Color	silver
Material	CU-DHP
Coating	tin-plated (galvanic)

### Environmental and real-life conditions

#### Ambient conditions

Permanent temperature	105 °C
Short-term temperature	120 °C

### Standards and regulations

Design according to standard	DIN 46228-1, UL 486F-A
------------------------------	------------------------

# A 10 -12 - Ferrule

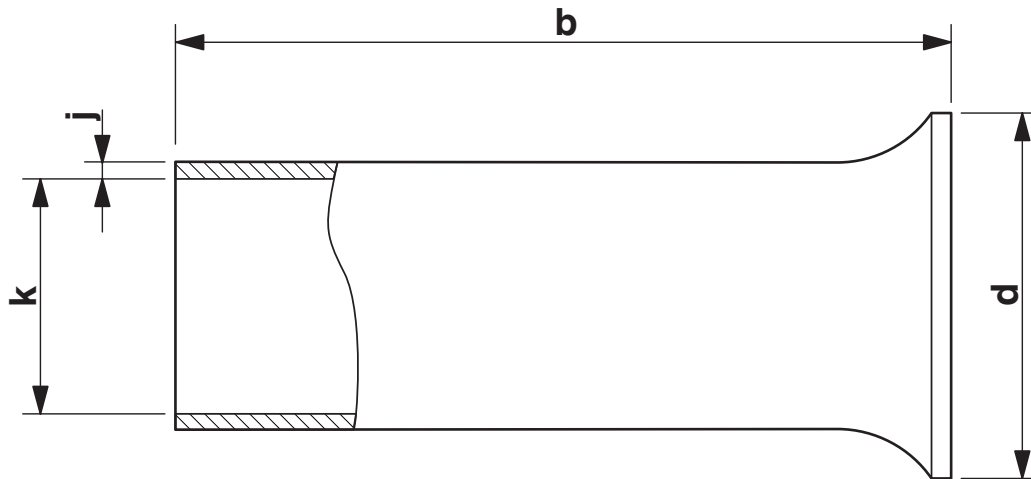
3200331

<https://www.phoenixcontact.com/in/products/3200331>



## Drawings

Dimensional drawing



Sleeve length (b), insulating collar inner dimension (d), sleeve diameter (k), sleeve wall thickness (j)

# A 10 -12 - Ferrule



3200331

<https://www.phoenixcontact.com/in/products/3200331>

## Approvals

To download certificates, visit the product detail page: <https://www.phoenixcontact.com/in/products/3200331>



**UL Listed**

Approval ID: E488001



**cUL Listed**

Approval ID: E488001



**cULus Listed**

Approval ID: E488001

**cULus Listed**

# A 10 -12 - Ferrule

3200331

<https://www.phoenixcontact.com/in/products/3200331>



## Classifications

### ECLASS

ECLASS-11.0	27400201
ECLASS-13.0	27400201
ECLASS-12.0	27400201

### ETIM

ETIM 9.0	EC000005
----------	----------

### UNSPSC

UNSPSC 21.0	27121700
-------------	----------

# A 10 -12 - Ferrule

3200331

<https://www.phoenixcontact.com/in/products/3200331>



## Environmental product compliance

### EU RoHS

Fulfills EU RoHS substance requirements	Yes, No exemptions
---	--------------------

### China RoHS

Environment friendly use period (EFUP)	EFUP-E
	No hazardous substances above the limits

### EU REACH SVHC

REACH candidate substance (CAS No.)	No substance above 0.1 wt%
-------------------------------------	----------------------------

# A 10 -12 - Ferrule

3200331

<https://www.phoenixcontact.com/in/products/3200331>



## Accessories

### CRIMPFOX 25R - Crimping pliers

1212039

<https://www.phoenixcontact.com/in/products/1212039>



Crimping pliers, for ferrules without insulating collar according to DIN 46228 Part 1 and ferrules with insulating collar according to DIN 46228 Part 4, 10 mm<sup>2</sup> ... 25 mm<sup>2</sup>, lateral entry, WM crimp

---

### CRIMPFOX 10 - Crimping pliers

1212721

<https://www.phoenixcontact.com/in/products/1212721>



Crimping pliers, for ferrules without insulating collar according to DIN 46228 Part 1 and ferrules with insulating collar according to DIN 46228 Part 4, 4 mm<sup>2</sup> ... 10 mm<sup>2</sup>, lateral entry, trapezoidal crimp

# A 10 -12 - Ferrule

3200331

<https://www.phoenixcontact.com/in/products/3200331>



## CRIMPFOX CENTRUS 10S - Crimping pliers

1213154

<https://www.phoenixcontact.com/in/products/1213154>



Crimping pliers, for uninsulated and insulated ferrules, DIN 46228 Part 1 and 4, from 0.14 mm<sup>2</sup> ... 10 mm<sup>2</sup>, also for TWIN ferrules up to 2 x 4 mm<sup>2</sup>, automatic cross section adjustment, lateral insertion, equipped with fall protection

---

## CRIMPFOX CENTRUS 10H - Crimping pliers

1213156

<https://www.phoenixcontact.com/in/products/1213156>



Crimping pliers, for uninsulated and insulated ferrules, DIN 46228 Part 1 and 4, from 0.14 mm<sup>2</sup> ... 10 mm<sup>2</sup>, also for TWIN ferrules up to 2 x 4 mm<sup>2</sup>, automatic cross section adjustment, lateral insertion, equipped with fall protection



# A 10 -12 - Ferrule

3200331

<https://www.phoenixcontact.com/in/products/3200331>



## CRIMPFOX DUO 10 - Crimping pliers

1031721

<https://www.phoenixcontact.com/in/products/1031721>



Crimping pliers, contact connection type: Insulated and uninsulated ferrules, standards/specifications: DIN 46228-1, DIN 46228-4, UL 486F, form A, E, F, min. cross section: 0.14 mm<sup>2</sup>, max. cross section: 10 mm<sup>2</sup>, for TWIN ferrules up to 2 x 4 mm<sup>2</sup>, automatic cross section adjustment, rotating die, lateral and frontal insertion, compression: Trapezoidal crimp, black/green

---

## CRIMPFOX 10T-F - Crimping pliers

1134913

<https://www.phoenixcontact.com/in/products/1134913>



Crimping pliers, contact connection type: Insulated and uninsulated ferrules, standards/specifications: DIN 46228-1, DIN 46228-4, min. cross section: 0.14 mm<sup>2</sup>, max. cross section: 10 mm<sup>2</sup>, For TWIN ferrules up to 2 x 4 mm<sup>2</sup>, automatic cross section adjustment, frontal insertion, compression: Trapezoidal crimp, black

# A 10 -12 - Ferrule

3200331

<https://www.phoenixcontact.com/in/products/3200331>



## CRIMPFOX DUO 16S - Crimping pliers

1202877

<https://www.phoenixcontact.com/in/products/1202877>



Crimping pliers, contact type: insulated and uninsulated ferrules, standards/regulations: DIN 46228-1, DIN 46228-4, UL 486F, Form A, E, F, cross-section, minimum: 0.14 mm<sup>2</sup>, cross-section, maximum: 16 mm<sup>2</sup>, for TWIN ferrules up to 2 mm<sup>2</sup> x 6 mm<sup>2</sup>, automatic cross-section adjustment, rotating dies, lateral and front entry, crimping: square

---

Phoenix Contact 2024 © - all rights reserved

<https://www.phoenixcontact.com>

PHOENIX CONTACT (I) Pvt. Ltd.

A-58/2, Okhla Industrial Area, Phase - II, New Delhi-110 020

+91.1275.71420

[info@phoenixcontact.co.in](mailto:info@phoenixcontact.co.in)