

# UTMED 6-PE - Ground terminal



3047442

<https://www.phoenixcontact.com/in/products/3047442>

Please be informed that the data shown in this PDF document is generated from our online catalog. Please find the complete data in the user documentation. Our general terms of use for downloads are valid.



Ground terminal, number of connections: 2, connection method: Screw connection, cross section: 0.2 mm<sup>2</sup> - 10 mm<sup>2</sup>, mounting type: NS 35/7,5, NS 35/15, color: green-yellow

## Your advantages

- Feed-through terminal blocks of the same shape are available
- Clear selection thanks to printed switching symbols
- Easy operation
- Clear
- Six function shafts
- Compact design
- Flexible and comprehensive accessories
- Reliably snapped into the end positions

## Commercial data

Item number	3047442
Packing unit	50 pc
Minimum order quantity	1 pc
Sales key	BE1
Product key	BE1133
Catalog page	Page 177 (C-1-2019)
GTIN	4046356291118
Weight per piece (including packing)	33.272 g
Weight per piece (excluding packing)	33.272 g
Customs tariff number	85369010
Country of origin	PL

# UTMED 6-PE - Ground terminal



3047442

<https://www.phoenixcontact.com/in/products/3047442>

## Technical data

### Product properties

Product type	Ground terminal block
Number of connections	2
Number of rows	1

### Insulation characteristics

Overvoltage category	III
Degree of pollution	3

### Electrical properties

Rated surge voltage	6 kV
Maximum power dissipation for nominal condition	1.31 W

### Connection data

Grounding foot	Yes
Number of connections per level	2
Nominal cross section	6 mm <sup>2</sup>

### Level 1 above 1 below 1

Screw thread	M4
Note	Please observe the current carrying capacity of the DIN rails.
Tightening torque	1.5 ... 1.8 Nm
Stripping length	10 mm
Internal cylindrical gage	A5
Connection in acc. with standard	IEC 60947-7-2
Conductor cross section rigid	0.2 mm <sup>2</sup> ... 10 mm <sup>2</sup>
Cross section AWG	24 ... 8 (converted acc. to IEC)
Conductor cross section flexible	0.2 mm <sup>2</sup> ... 10 mm <sup>2</sup>
Conductor cross section, flexible [AWG]	24 ... 8 (converted acc. to IEC)
Conductor cross-section flexible (ferrule without plastic sleeve)	0.25 mm <sup>2</sup> ... 6 mm <sup>2</sup>
Flexible conductor cross section (ferrule with plastic sleeve)	0.25 mm <sup>2</sup> ... 6 mm <sup>2</sup>

### Dimensions

Width	8.2 mm
End cover width	2.2 mm
Height	100.8 mm
Depth on NS 35/7,5	49.6 mm
Depth on NS 35/15	57.1 mm

### Material specifications

Color	green-yellow
Flammability rating according to UL 94	V0
Insulating material group	I

# UTMED 6-PE - Ground terminal



3047442

<https://www.phoenixcontact.com/in/products/3047442>

Insulating material	PA
Static insulating material application in cold	-60 °C
Temperature index of insulation material (DIN EN 60216-1 (VDE 0304-21))	130 °C
Relative insulation material temperature index (Elec., UL 746 B)	130 °C
Fire protection for rail vehicles (DIN EN 45545-2) R22	HL 1 - HL 3
Fire protection for rail vehicles (DIN EN 45545-2) R23	HL 1 - HL 3
Fire protection for rail vehicles (DIN EN 45545-2) R24	HL 1 - HL 3
Fire protection for rail vehicles (DIN EN 45545-2) R26	HL 1 - HL 3
Calorimetric heat release NFPA 130 (ASTM E 1354)	28 MJ/kg
Surface flammability NFPA 130 (ASTM E 162)	passed
Specific optical density of smoke NFPA 130 (ASTM E 662)	passed
Smoke gas toxicity NFPA 130 (SMP 800C)	passed

## Mechanical properties

### Mechanical data

Open side panel	Yes
-----------------	-----

## Environmental and real-life conditions

### Oscillation/broadband noise

Specification	DIN EN 50155 (VDE 0115-200):2018-05
Spectrum	Service life test category 2, bogie-mounted
Frequency	$f_1 = 5 \text{ Hz}$ to $f_2 = 250 \text{ Hz}$
ASD level	6.12 (m/s <sup>2</sup> )/Hz
Acceleration	3.12g
Test duration per axis	5 h
Test directions	X-, Y- and Z-axis
Result	Test passed

### Shocks

Specification	DIN EN 50155 (VDE 0115-200):2008-03
Pulse shape	Half-sine
Acceleration	30g
Shock duration	18 ms
Number of shocks per direction	3
Test directions	X-, Y- and Z-axis (pos. and neg.)

### Ambient conditions

Ambient temperature (operation)	-60 °C ... 110 °C (Operating temperature range incl. self-heating; for max. short-term operating temperature, see RTI Elec.)
Ambient temperature (storage/transport)	-25 °C ... 60 °C (for a short time, not exceeding 24 h, -60 °C to +70 °C)
Ambient temperature (assembly)	-5 °C ... 70 °C
Ambient temperature (actuation)	-5 °C ... 70 °C
Permissible humidity (operation)	20 % ... 90 %

# UTMED 6-PE - Ground terminal



3047442

<https://www.phoenixcontact.com/in/products/3047442>

Permissible humidity (storage/transport)	30 % ... 70 %
--	---------------

## Standards and regulations

Connection in acc. with standard	IEC 60947-7-2
----------------------------------	---------------

## Mounting

Mounting type	NS 35/7,5
	NS 35/15

# UTMED 6-PE - Ground terminal

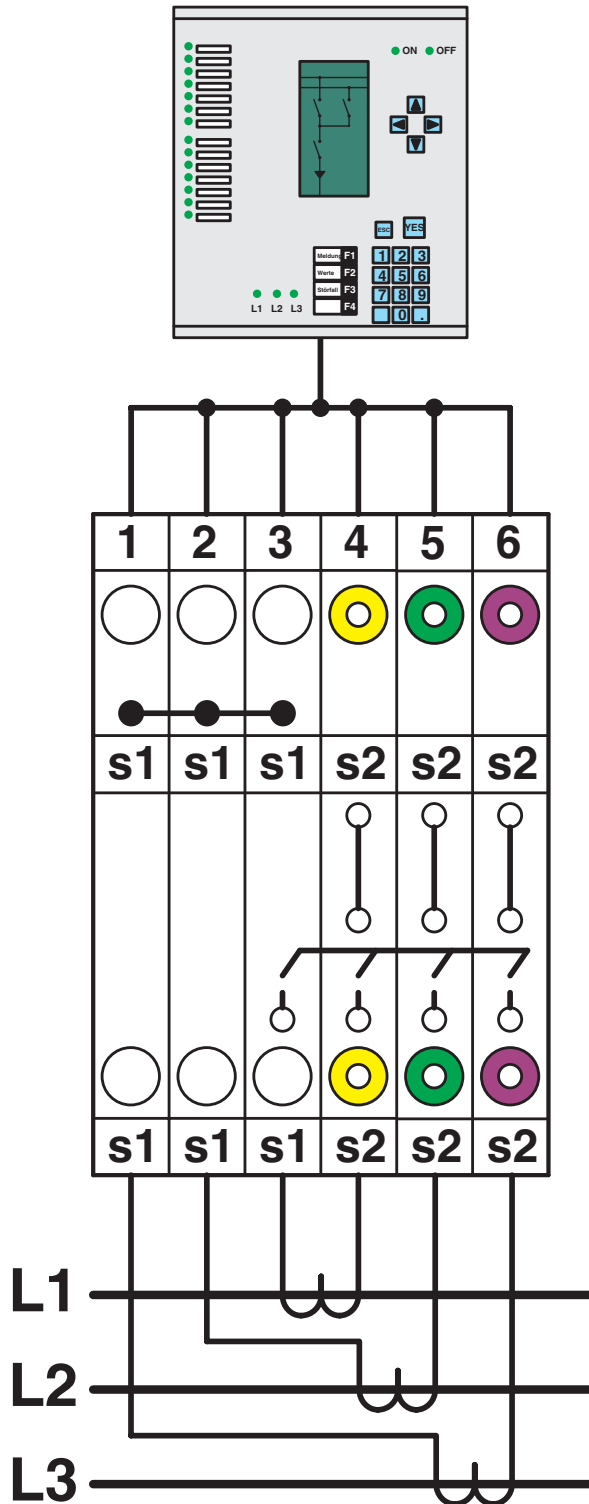
3047442

<https://www.phoenixcontact.com/in/products/3047442>



## Drawings

Schematic diagram



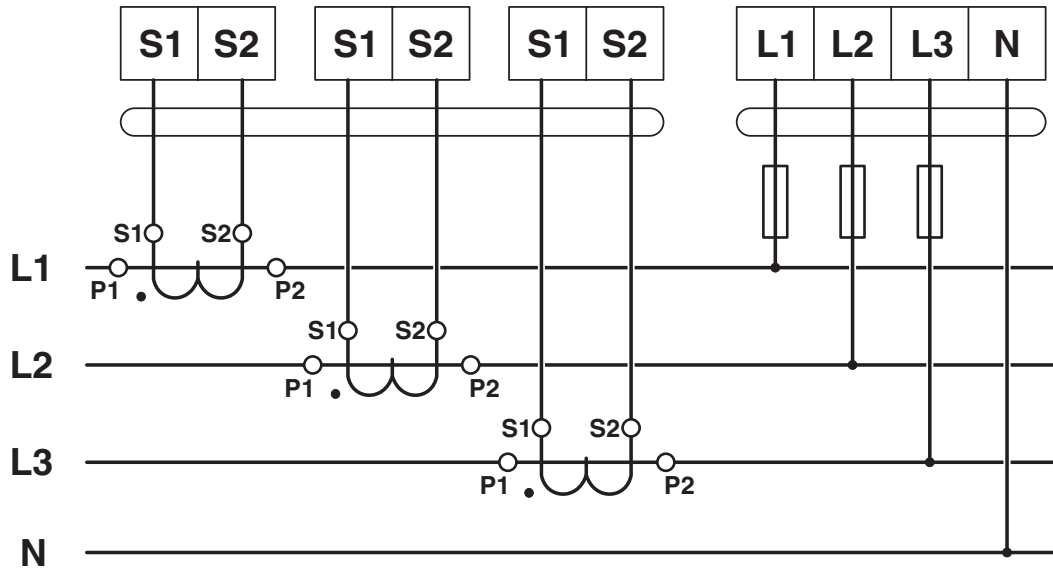
Interlinked three-phase current transformer set

# UTMED 6-PE - Ground terminal

3047442

<https://www.phoenixcontact.com/in/products/3047442>

Circuit diagram



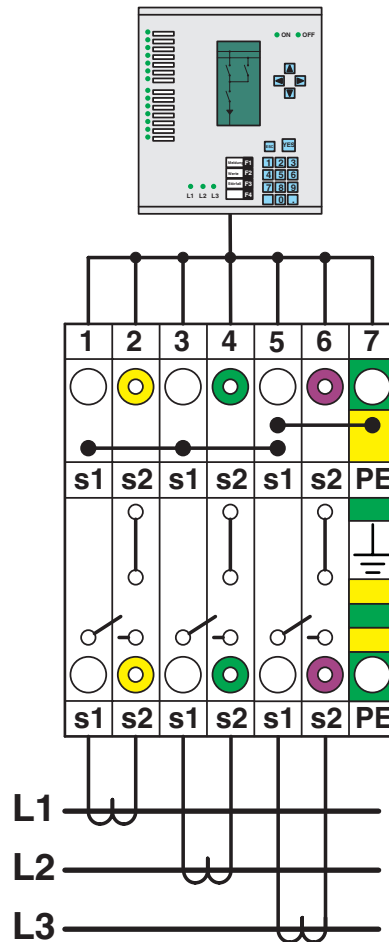
# UTMED 6-PE - Ground terminal

3047442

<https://www.phoenixcontact.com/in/products/3047442>



Schematic diagram



Interlinked three-phase current transformer set with grounded star point

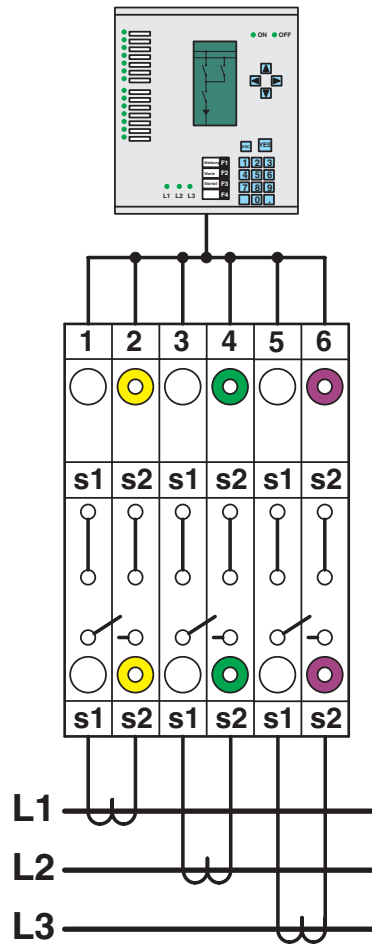
# UTMED 6-PE - Ground terminal

3047442

<https://www.phoenixcontact.com/in/products/3047442>



Schematic diagram



Simple three-phase current transformer set

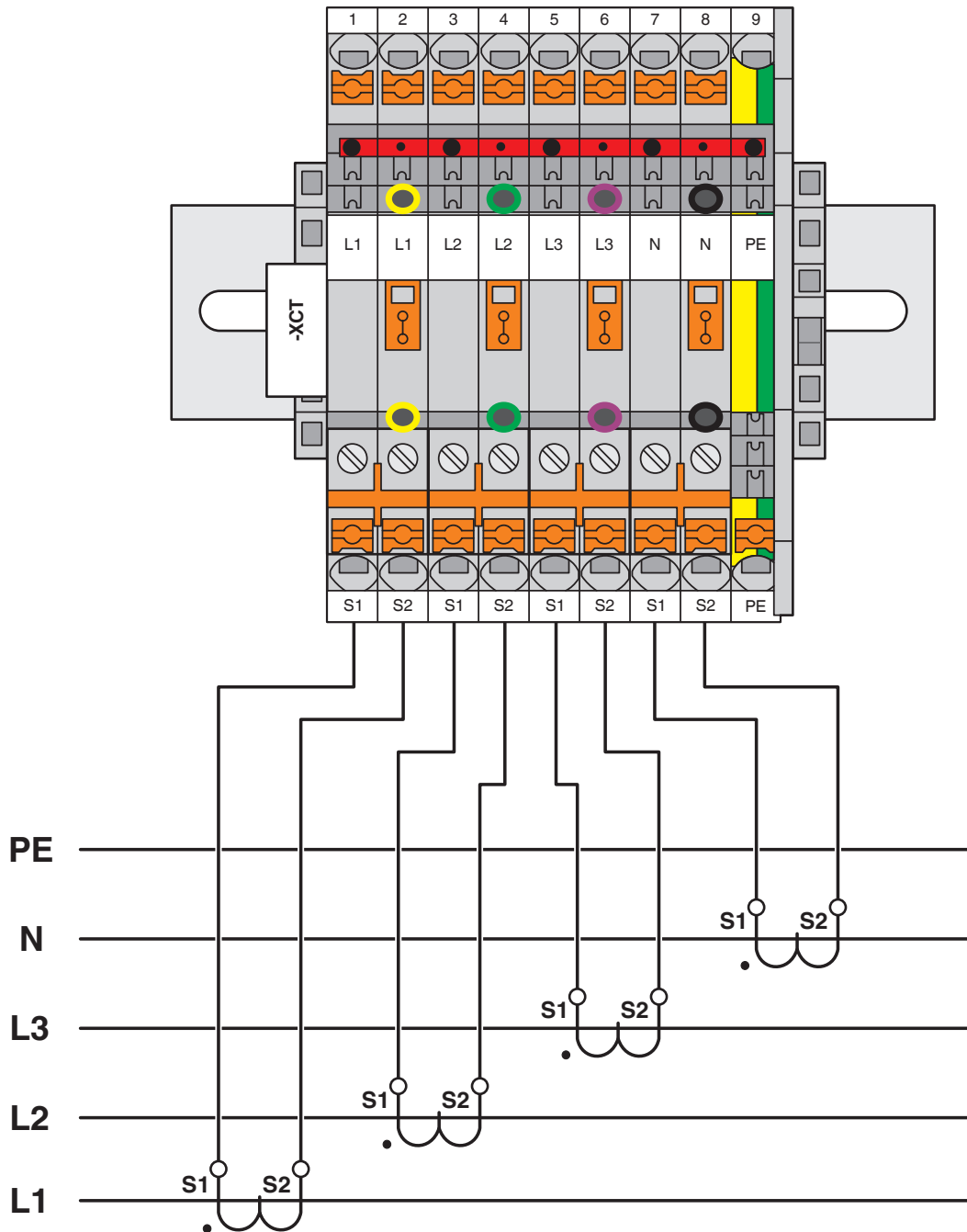


# UTMED 6-PE - Ground terminal

3047442

<https://www.phoenixcontact.com/in/products/3047442>

Circuit diagram

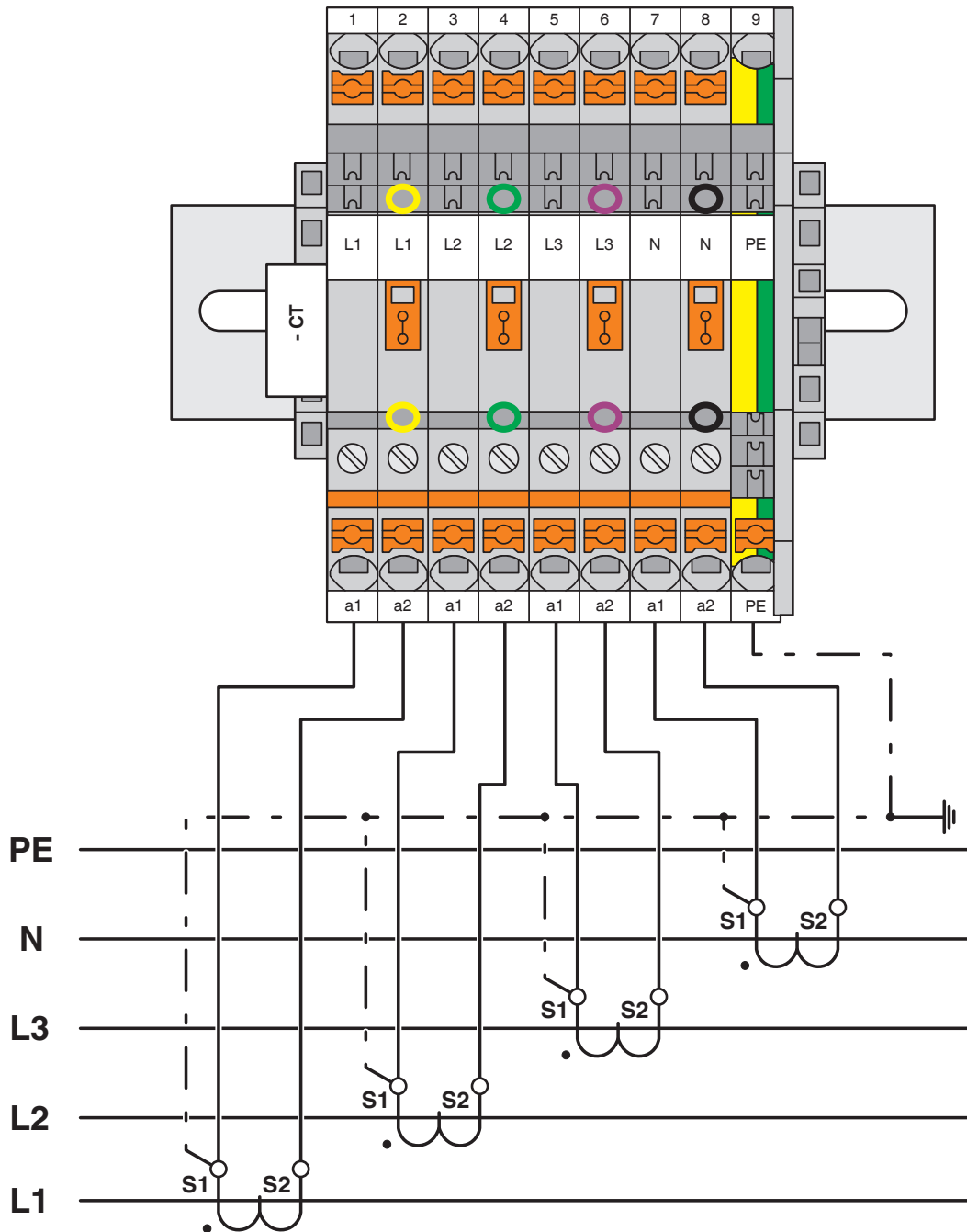


# UTMED 6-PE - Ground terminal

3047442

<https://www.phoenixcontact.com/in/products/3047442>

Circuit diagram

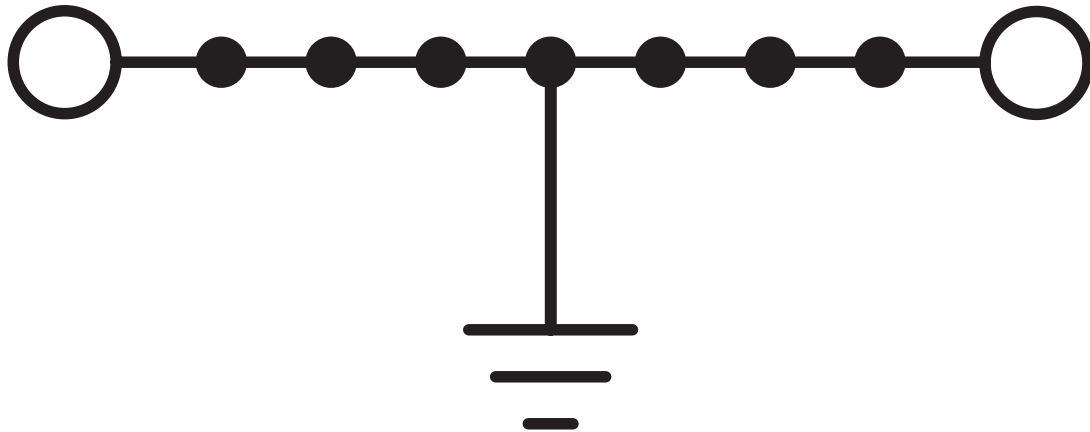


# UTMED 6-PE - Ground terminal

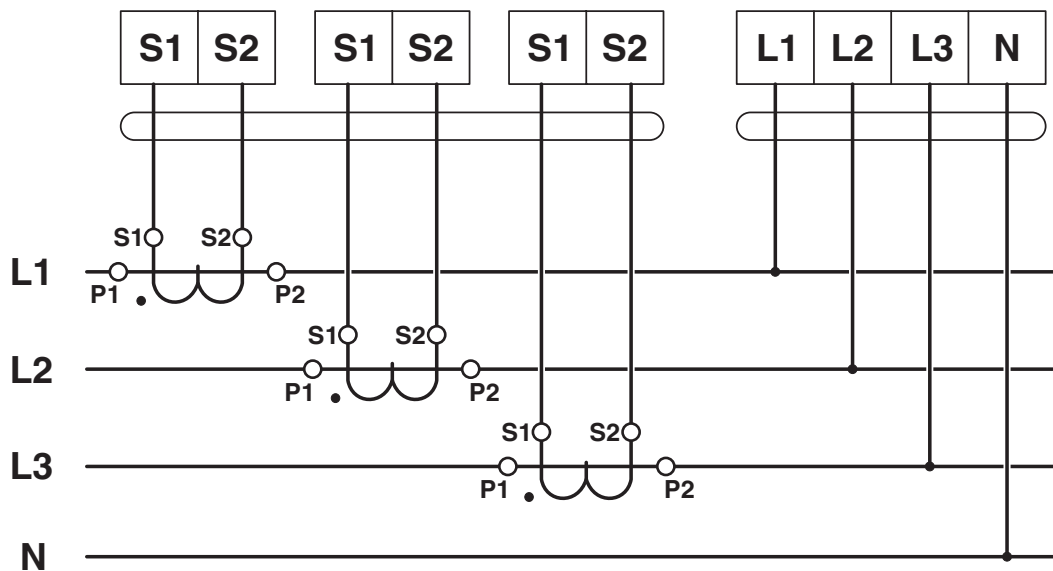
3047442

<https://www.phoenixcontact.com/in/products/3047442>

Circuit diagram



Circuit diagram



# UTMED 6-PE - Ground terminal





3047442


<https://www.phoenixcontact.com/in/products/3047442>

## Approvals

To download certificates, visit the product detail page: <https://www.phoenixcontact.com/in/products/3047442>

 <b>CSA</b> Approval ID: 13631				
	Nominal voltage $U_N$	Nominal current $I_N$	Cross section AWG	Cross section $mm^2$
Use group B	-	-	24 - 8	-
Use group C	-	-	24 - 8	-

 <b>EAC</b> Approval ID: RU C-DE.BL08.B.00534				
---	--	--	--	--

 <b>cULus Recognized</b> Approval ID: E60425				
	Nominal voltage $U_N$	Nominal current $I_N$	Cross section AWG	Cross section $mm^2$
Use group B	-	-	24 - 8	-
Multi-conductor connection	-	-	24 - 12	-
Use group C	-	-	24 - 8	-
Multi-conductor connection	-	-	24 - 12	-
Use group D	-	-	24 - 8	-
Multi-conductor connection	-	-	24 - 12	-

# UTMED 6-PE - Ground terminal



3047442

<https://www.phoenixcontact.com/in/products/3047442>

## Classifications

### ECLASS

ECLASS-11.0	27141141
ECLASS-13.0	27250109

### ETIM

ETIM 9.0	EC000901
----------	----------

### UNSPSC

UNSPSC 21.0	39121400
-------------	----------

# UTMED 6-PE - Ground terminal



3047442

<https://www.phoenixcontact.com/in/products/3047442>

## Environmental product compliance

### EU RoHS

Fulfills EU RoHS substance requirements	Yes
Exemption	6(c)

### China RoHS

Environment friendly use period (EFUP)	EFUP-50
	An article-related China RoHS declaration table can be found in the download area for the respective article under "Manufacturer declaration". For all articles with EFUP-E, no China RoHS declaration table issued and required.

### EU REACH SVHC

REACH candidate substance (CAS No.)	Lead(CAS: 7439-92-1)
-------------------------------------	----------------------

# UTMED 6-PE - Ground terminal

3047442

<https://www.phoenixcontact.com/in/products/3047442>



## Accessories

### FBS 2-8 - Plug-in bridge

3030284

<https://www.phoenixcontact.com/in/products/3030284>



Plug-in bridge, pitch: 8.2 mm, number of positions: 2, color: red

---

### FBS 3-8 - Plug-in bridge

3030297

<https://www.phoenixcontact.com/in/products/3030297>



Plug-in bridge, pitch: 8.2 mm, number of positions: 3, color: red

# UTMED 6-PE - Ground terminal

3047442

<https://www.phoenixcontact.com/in/products/3047442>



## FBS 4-8 - Plug-in bridge

3030307

<https://www.phoenixcontact.com/in/products/3030307>



Plug-in bridge, pitch: 8.2 mm, number of positions: 4, color: red

---

## FBS 5-8 - Plug-in bridge

3030310

<https://www.phoenixcontact.com/in/products/3030310>



Plug-in bridge, pitch: 8.2 mm, number of positions: 5, color: red



# UTMED 6-PE - Ground terminal

3047442

<https://www.phoenixcontact.com/in/products/3047442>



## FBS 6-8 - Plug-in bridge

3032470

<https://www.phoenixcontact.com/in/products/3032470>



Plug-in bridge, pitch: 8.2 mm, number of positions: 6, color: red

---

## FBS 10-8 - Plug-in bridge

3030323

<https://www.phoenixcontact.com/in/products/3030323>



Plug-in bridge, pitch: 8.2 mm, number of positions: 10, color: red

# UTMED 6-PE - Ground terminal

3047442

<https://www.phoenixcontact.com/in/products/3047442>



## FBS 1/3-8 - Plug-in bridge

3032363

<https://www.phoenixcontact.com/in/products/3032363>



Plug-in bridge, pitch: 8.2 mm, number of positions: 3, pin assignment: 1,3, color: red

---

## FBS 1/4-8 - Plug-in bridge

3032376

<https://www.phoenixcontact.com/in/products/3032376>



Plug-in bridge, pitch: 8.2 mm, number of positions: 4, pin assignment: 1, 4, color: red

# UTMED 6-PE - Ground terminal

3047442

<https://www.phoenixcontact.com/in/products/3047442>



## FBS 1/5-8 - Plug-in bridge

3032381

<https://www.phoenixcontact.com/in/products/3032381>



Plug-in bridge, pitch: 8.2 mm, number of positions: 5, pin assignment: 1,5, color: red

---

## FBS 1/3/5-8 - Plug-in bridge

3032389

<https://www.phoenixcontact.com/in/products/3032389>



Plug-in bridge, pitch: 8.2 mm, number of positions: 5, pin assignment: 1,3,5, color: red

# UTMED 6-PE - Ground terminal

3047442

<https://www.phoenixcontact.com/in/products/3047442>



## FBS 1/4/7/10-8 - Plug-in bridge

3032402

<https://www.phoenixcontact.com/in/products/3032402>



Plug-in bridge, pitch: 8.2 mm, number of positions: 10, pin assignment: 1,4,7,10, color: red

---

## FBSRH 2-8 - Short-circuit connector

3033802

<https://www.phoenixcontact.com/in/products/3033802>



Short-circuit connector, pitch: 8.2 mm, number of positions: 2, color: red

# UTMED 6-PE - Ground terminal

3047442

<https://www.phoenixcontact.com/in/products/3047442>



## FBSRH 3-8 - Short-circuit connector

3033803

<https://www.phoenixcontact.com/in/products/3033803>



Short-circuit connector, pitch: 8.2 mm, number of positions: 3, color: red

---

## FBSRH 4-8 - Short-circuit connector

3033804

<https://www.phoenixcontact.com/in/products/3033804>



Short-circuit connector, pitch: 8.2 mm, number of positions: 4, color: red

# UTMED 6-PE - Ground terminal

3047442

<https://www.phoenixcontact.com/in/products/3047442>



## FBSR 2-8 - Plug-in bridge

3033808

<https://www.phoenixcontact.com/in/products/3033808>



Plug-in bridge, pitch: 8.2 mm, number of positions: 2, color: red

---

## FBSR 3-8 - Plug-in bridge

3001597

<https://www.phoenixcontact.com/in/products/3001597>



Plug-in bridge, pitch: 8.2 mm, number of positions: 3, color: red

# UTMED 6-PE - Ground terminal

3047442

<https://www.phoenixcontact.com/in/products/3047442>



## FBSR 4-8 - Plug-in bridge

3000585

<https://www.phoenixcontact.com/in/products/3000585>



Plug-in bridge, pitch: 8.2 mm, number of positions: 4, color: red

---

## FBSR 5-8 - Plug-in bridge

3033809

<https://www.phoenixcontact.com/in/products/3033809>



Plug-in bridge, pitch: 8.2 mm, number of positions: 5, color: red

# UTMED 6-PE - Ground terminal

3047442

<https://www.phoenixcontact.com/in/products/3047442>



## FBSR 10-8 - Plug-in bridge

3001599

<https://www.phoenixcontact.com/in/products/3001599>



Plug-in bridge, pitch: 8.2 mm, number of positions: 10, color: red

---

## FBSR 16-8 - Plug-in bridge

3033816

<https://www.phoenixcontact.com/in/products/3033816>



Plug-in bridge, pitch: 8.2 mm, number of positions: 16, color: red



# UTMED 6-PE - Ground terminal

3047442

<https://www.phoenixcontact.com/in/products/3047442>

## FBSR 1/6/11/14-8 - Plug-in bridge

3033822

<https://www.phoenixcontact.com/in/products/3033822>



Plug-in bridge, non-adjacent, pitch: 8.2 mm, number of positions: 16, pin assignment: 1, 6, 11, 14, color: red

---

## FBSR 1/6/11/16-8 - Plug-in bridge

3033820

<https://www.phoenixcontact.com/in/products/3033820>



Plug-in bridge, non-adjacent, pitch: 8.2 mm, number of positions: 16, pin assignment: 1, 6, 11, 16, color: red

# UTMED 6-PE - Ground terminal

3047442

<https://www.phoenixcontact.com/in/products/3047442>



## FBSR 1/7/13/16-8 - Plug-in bridge

3033821

<https://www.phoenixcontact.com/in/products/3033821>



Plug-in bridge, non-adjacent, pitch: 8.2 mm, number of positions: 16, pin assignment: 1, 7, 13, 16, color: red

---

## SB-ME 2-8 - Switching jumper

3034468

<https://www.phoenixcontact.com/in/products/3034468>



Switching jumper, pitch: 8.2 mm, number of positions: 2, length: 25 mm, color: gray/orange

# UTMED 6-PE - Ground terminal

3047442

<https://www.phoenixcontact.com/in/products/3047442>



## SB-ME 3-8 - Switching jumper

3032800

<https://www.phoenixcontact.com/in/products/3032800>



Switching jumper, pitch: 8.2 mm, number of positions: 3, length: 25 mm, color: gray/orange

---

## SB-ME 4-8 - Switching jumper

3034484

<https://www.phoenixcontact.com/in/products/3034484>



Switching jumper, pitch: 8.2 mm, number of positions: 4, length: 25 mm, color: gray/orange

# UTMED 6-PE - Ground terminal

3047442

<https://www.phoenixcontact.com/in/products/3047442>



## FBS 2-8 CT - Plug-in bridge

3033830

<https://www.phoenixcontact.com/in/products/3033830>



Plug-in bridge, pitch: 8.2 mm, number of positions: 2, color: orange

---

## FBS 3-8 CT - Plug-in bridge

3033831

<https://www.phoenixcontact.com/in/products/3033831>



Plug-in bridge, pitch: 8.2 mm, number of positions: 3, color: orange

# UTMED 6-PE - Ground terminal

3047442

<https://www.phoenixcontact.com/in/products/3047442>



## FBS 4-8 CT - Plug-in bridge

3033832

<https://www.phoenixcontact.com/in/products/3033832>



Plug-in bridge, pitch: 8.2 mm, number of positions: 4, color: orange

---

## FBS 10-8 CT - Plug-in bridge

3033833

<https://www.phoenixcontact.com/in/products/3033833>



Plug-in bridge, pitch: 8.2 mm, number of positions: 10, color: orange

# UTMED 6-PE - Ground terminal

3047442

<https://www.phoenixcontact.com/in/products/3047442>



## FBS 2-8 BU - Plug-in bridge

3032567

<https://www.phoenixcontact.com/in/products/3032567>



Plug-in bridge, pitch: 8.2 mm, number of positions: 2, color: blue

---

## FBS 3-8 BU - Plug-in bridge

3032570

<https://www.phoenixcontact.com/in/products/3032570>



Plug-in bridge, pitch: 8.2 mm, number of positions: 3, color: blue

# UTMED 6-PE - Ground terminal

3047442

<https://www.phoenixcontact.com/in/products/3047442>



## FBS 4-8 BU - Plug-in bridge

3032583

<https://www.phoenixcontact.com/in/products/3032583>



Plug-in bridge, pitch: 8.2 mm, number of positions: 4, color: blue

---

## FBS 5-8 BU - Plug-in bridge

3032596

<https://www.phoenixcontact.com/in/products/3032596>



Plug-in bridge, pitch: 8.2 mm, number of positions: 5, color: blue

# UTMED 6-PE - Ground terminal

3047442

<https://www.phoenixcontact.com/in/products/3047442>



## FBS 6-8 BU - Plug-in bridge

3032677

<https://www.phoenixcontact.com/in/products/3032677>



Plug-in bridge, pitch: 8.2 mm, number of positions: 6, color: blue

---

## FBS 10-8 BU - Plug-in bridge

3032606

<https://www.phoenixcontact.com/in/products/3032606>



Plug-in bridge, pitch: 8.2 mm, number of positions: 10, color: blue



# UTMED 6-PE - Ground terminal

3047442

<https://www.phoenixcontact.com/in/products/3047442>



## CARRIER 35-8 - Partition plate

3034387

<https://www.phoenixcontact.com/in/products/3034387>

Partition plate, With storage option for FBS...-8 and PAI 4-FIX, material: PA, color: gray



---

## AP-ME

## METER - Cover profile

3034361

<https://www.phoenixcontact.com/in/products/3034361>

Cover profile, for covering terminal strips, snapped onto APT-ME cover profile carrier or APH-ME end bracket. A cover profile carrier should be positioned at the ends and at intervals of around 40 cm. Length supplied: 1 m



## UTMED 6-PE - Ground terminal

3047442

<https://www.phoenixcontact.com/in/products/3047442>



## APH-ME - Cover profile carrier

3034374

<https://www.phoenixcontact.com/in/products/3034374>



Cover profile carrier, for mounting on NS 35/7,5 DIN rail, for fixing the AP-ME cover profile, can be sealed as an option

---

## APT-ME - Cover profile carrier

3034358

<https://www.phoenixcontact.com/in/products/3034358>



Cover profile carrier for mounting on NS 35/7.5 DIN rail for attaching the cover profile AP-ME

# UTMED 6-PE - Ground terminal

3047442

<https://www.phoenixcontact.com/in/products/3047442>



## AH-ME - Covering hood

3240265

<https://www.phoenixcontact.com/in/products/3240265>



**Cover**, for the contact- and dust-protected encapsulation of the components

---

## LPS-8/E - Service connector

3270560

<https://www.phoenixcontact.com/in/products/3270560>



Service connector, nom. voltage: 800 V, nominal current: 24 A, number of positions: 1, connection method: Push-in connection, Rated cross section: 2.5 mm<sup>2</sup>, cross section: 0.14 mm<sup>2</sup>- 4 mm<sup>2</sup>, color: red

# UTMED 6-PE - Ground terminal

3047442

<https://www.phoenixcontact.com/in/products/3047442>



## LPS-8 - Service connector

3270561

<https://www.phoenixcontact.com/in/products/3270561>



Service connector, nom. voltage: 800 V, nominal current: 24 A, number of positions: 1, connection method: Push-in connection, Rated cross section: 2.5 mm<sup>2</sup>, cross section: 0.14 mm<sup>2</sup>- 4 mm<sup>2</sup>, color: red

---

## LPO 6/E - Pick-off plug

3270525

<https://www.phoenixcontact.com/in/products/3270525>



Pick-off plug, nom. voltage: 800 V, nominal current: 24 A, number of positions: 1, connection method: Push-in connection, Rated cross section: 2.5 mm<sup>2</sup>, cross section: 0.14 mm<sup>2</sup>- 4 mm<sup>2</sup>, color: gray

# UTMED 6-PE - Ground terminal

3047442

<https://www.phoenixcontact.com/in/products/3047442>



## LPO 6 - Pick-off plug

3270526

<https://www.phoenixcontact.com/in/products/3270526>



Pick-off plug, nom. voltage: 800 V, nominal current: 24 A, number of positions: 1, connection method: Push-in connection, Rated cross section: 2.5 mm<sup>2</sup>, cross section: 0.14 mm<sup>2</sup>- 4 mm<sup>2</sup>, color: gray

---

## NS 35/ 7,5 PERF 2000MM - DIN rail perforated

0801733

<https://www.phoenixcontact.com/in/products/0801733>



DIN rail perforated, Pack of 25 (50 m), acc. to EN 60715, material: Steel, galvanized, passivated with a thick layer, Standard profile, color: silver

# UTMED 6-PE - Ground terminal

3047442

<https://www.phoenixcontact.com/in/products/3047442>



## NS 35/ 7,5 UNPERF 2000MM - DIN rail, unperforated

0801681

<https://www.phoenixcontact.com/in/products/0801681>



DIN rail, unperforated, Pack of 25 (50 m), acc. to EN 60715, material: Steel, galvanized, passivated with a thick layer, Standard profile, color: silver

---

## NS 35/ 7,5 WH PERF 2000MM - DIN rail perforated

1204119

<https://www.phoenixcontact.com/in/products/1204119>



DIN rail perforated, Pack of 25 (50 m), acc. to EN 60715, material: Steel, Galvanized, white passivated, Standard profile, color: silver

# UTMED 6-PE - Ground terminal

3047442

<https://www.phoenixcontact.com/in/products/3047442>



## NS 35/ 7,5 WH UNPERF 2000MM-VPE 10 - DIN rail, unperforated

1204122

<https://www.phoenixcontact.com/in/products/1204122>



DIN rail, unperforated, Pack of 10 (20 m), acc. to EN 60715, material: Steel, Galvanized, white passivated, Standard profile, color: silver

---

## NS 35/ 7,5 AL UNPERF 2000MM - DIN rail, unperforated

0801704

<https://www.phoenixcontact.com/in/products/0801704>



DIN rail, unperforated, Pack of 25 (50 m), acc. to EN 60715, material: Aluminum, uncoated, Standard profile, color: silver

# UTMED 6-PE - Ground terminal

3047442

<https://www.phoenixcontact.com/in/products/3047442>



## NS 35/ 7,5 ZN PERF 2000MM - DIN rail perforated

1206421

<https://www.phoenixcontact.com/in/products/1206421>



DIN rail perforated, Pack of 25 (50 m), acc. to EN 60715, material: Steel, galvanized, Standard profile, color: silver

---

## NS 35/ 7,5 ZN UNPERF 2000MM - DIN rail, unperforated

1206434

<https://www.phoenixcontact.com/in/products/1206434>



DIN rail, unperforated, Pack of 25 (50 m), acc. to EN 60715, material: Steel, galvanized, Standard profile, color: silver



# UTMED 6-PE - Ground terminal

3047442

<https://www.phoenixcontact.com/in/products/3047442>



## NS 35/ 7,5 CU UNPERF 2000MM-VPE 10 - DIN rail, unperforated

0801762

<https://www.phoenixcontact.com/in/products/0801762>



DIN rail, unperforated, Pack of 10 (20 m), acc. to EN 60715, material: Copper, uncoated, Standard profile, color: copper-colored

---

## NS 35/ 7,5 CAP - End cap

1206560

<https://www.phoenixcontact.com/in/products/1206560>

DIN rail end piece, for DIN rail NS 35/7.5



# UTMED 6-PE - Ground terminal

3047442

<https://www.phoenixcontact.com/in/products/3047442>



## PAI-4-FIX BU - Test adapter

3032729

<https://www.phoenixcontact.com/in/products/3032729>



Test adapter, Touch proof against unintentional direct contact according to DIN EN 50274 when plugged in, for 4 mm test plug and terminal blocks with 8.2 mm pitch, number of positions: 1, color: blue

---

## PAI-4-FIX OG - Test adapter

3034455

<https://www.phoenixcontact.com/in/products/3034455>



4 mm test adapter, for terminal blocks with 8.2 mm pitch

# UTMED 6-PE - Ground terminal

3047442

<https://www.phoenixcontact.com/in/products/3047442>



## PAI-4-FIX YE - Test adapter

3032745

<https://www.phoenixcontact.com/in/products/3032745>



Test adapter, Touch proof against unintentional direct contact according to DIN EN 50274 when plugged in, for 4 mm test plug and terminal blocks with 8.2 mm pitch, number of positions: 1, color: yellow

---

## PAI-4-FIX RD - Test adapter

3032732

<https://www.phoenixcontact.com/in/products/3032732>



Test adapter, Touch proof against unintentional direct contact according to DIN EN 50274 when plugged in, for 4 mm test plug and terminal blocks with 8.2 mm pitch, number of positions: 1, color: red

# UTMED 6-PE - Ground terminal

3047442

<https://www.phoenixcontact.com/in/products/3047442>



## PAI-4-FIX GN - Test adapter

3032758

<https://www.phoenixcontact.com/in/products/3032758>



Test adapter, Touch proof against unintentional direct contact according to DIN EN 50274 when plugged in, for 4 mm test plug and terminal blocks with 8.2 mm pitch, number of positions: 1, color: green

---

## PAI-4-FIX BK - Test adapter

3032774

<https://www.phoenixcontact.com/in/products/3032774>



Test adapter, Touch proof against unintentional direct contact according to DIN EN 50274 when plugged in, for 4 mm test plug and terminal blocks with 8.2 mm pitch, number of positions: 1, color: black

## UTMED 6-PE - Ground terminal

3047442

<https://www.phoenixcontact.com/in/products/3047442>



### PAI-4-FIX GY - Test adapter

3032790

<https://www.phoenixcontact.com/in/products/3032790>



Test adapter, Touch proof against unintentional direct contact according to DIN EN 50274 when plugged in, for 4 mm test plug and terminal blocks with 8.2 mm pitch, number of positions: 1, color: gray

---

### PAI-4-FIX VT - Test adapter

3032761

<https://www.phoenixcontact.com/in/products/3032761>



Test adapter, Touch proof against unintentional direct contact according to DIN EN 50274 when plugged in, for 4 mm test plug and terminal blocks with 8.2 mm pitch, number of positions: 1, color: violet

# UTMED 6-PE - Ground terminal

3047442

<https://www.phoenixcontact.com/in/products/3047442>



## PAI-4-FIX BN - Test adapter

3032787

<https://www.phoenixcontact.com/in/products/3032787>



Test adapter, Touch proof against unintentional direct contact according to DIN EN 50274 when plugged in, for 4 mm test plug and terminal blocks with 8.2 mm pitch, number of positions: 1, color: brown

---

## PAI-4-FIX WH - Test adapter

3032797

<https://www.phoenixcontact.com/in/products/3032797>



Test adapter, Touch proof against unintentional direct contact according to DIN EN 50274 when plugged in, for 4 mm test plug and terminal blocks with 8.2 mm pitch, number of positions: 1, color: white

# UTMED 6-PE - Ground terminal

3047442

<https://www.phoenixcontact.com/in/products/3047442>



## PAIS-4-FIX GY - Test adapter

3032791

<https://www.phoenixcontact.com/in/products/3032791>



Test adapter, Touch proof against unintentional direct contact according to DIN EN 50274 when plugged in, for 4 mm test plug and terminal blocks with 5.2 mm, 6.2 mm, and 8.2 mm pitch, number of positions: 1, color: gray

---

## PAIS-4-FIX BK - Test adapter

3032792

<https://www.phoenixcontact.com/in/products/3032792>



Test adapter, Touch proof against unintentional direct contact according to DIN EN 50274 when plugged in, for 4 mm test plug and terminal blocks with 5.2 mm, 6.2 mm, and 8.2 mm pitch, number of positions: 1, color: black

# UTMED 6-PE - Ground terminal

3047442

<https://www.phoenixcontact.com/in/products/3047442>



## PAIS-4-FIX RD - Test adapter

3032793

<https://www.phoenixcontact.com/in/products/3032793>



Test adapter, Do not plug in while the power is connected, for 4 mm test plug and terminal blocks with 5.2 mm, 6.2 mm, and 8.2 mm pitch, number of positions: 1, color: red

---

## PAIS-4-FIX BU - Test adapter

3032798

<https://www.phoenixcontact.com/in/products/3032798>



Test adapter, Touch proof against unintentional direct contact according to DIN EN 50274 when plugged in, for 4 mm test plug and terminal blocks with 5.2 mm, 6.2 mm, and 8.2 mm pitch, number of positions: 1, color: blue



# UTMED 6-PE - Ground terminal

3047442

<https://www.phoenixcontact.com/in/products/3047442>



## PAIS-4-FIX YE - Test adapter

3032799

<https://www.phoenixcontact.com/in/products/3032799>



Test adapter, Touch proof against unintentional direct contact according to DIN EN 50274 when plugged in, for 4 mm test plug and terminal blocks with 5.2 mm, 6.2 mm, and 8.2 mm pitch, number of positions: 1, color: yellow

---

## PAIS-4-FIX GN - Test adapter

3032801

<https://www.phoenixcontact.com/in/products/3032801>



Test adapter, Touch proof against unintentional direct contact according to DIN EN 50274 when plugged in, for 4 mm test plug and terminal blocks with 5.2 mm, 6.2 mm, and 8.2 mm pitch, number of positions: 1, color: green

# UTMED 6-PE - Ground terminal

3047442

<https://www.phoenixcontact.com/in/products/3047442>



## PAIS-4-FIX VT - Test adapter

3032802

<https://www.phoenixcontact.com/in/products/3032802>



Test adapter, Touch proof against unintentional direct contact according to DIN EN 50274 when plugged in, for 4 mm test plug and terminal blocks with 5.2 mm, 6.2 mm, and 8.2 mm pitch, number of positions: 1, color: violet

---

## PS-8 - Test plug

3031005

<https://www.phoenixcontact.com/in/products/3031005>



Test plug, Modular test plug, number of positions: 1, color: red

## UTMED 6-PE - Ground terminal

3047442

<https://www.phoenixcontact.com/in/products/3047442>



## DP PS-8 - Spacer plate

3036741

<https://www.phoenixcontact.com/in/products/3036741>



Spacer plate, depth: 29 mm, width: 8.2 mm, height: 22.4 mm, number of positions: 1, color: red

---

## PS-8/2,3MM RD - Test plug

3048564

<https://www.phoenixcontact.com/in/products/3048564>



Test plug, number of positions: 1, color: red

# UTMED 6-PE - Ground terminal

3047442

<https://www.phoenixcontact.com/in/products/3047442>



## ZB 8:UNBEDRUCKT - Zack marker strip

1052002

<https://www.phoenixcontact.com/in/products/1052002>



Zack marker strip, Strip, white, unlabeled, can be labeled with: PLOTMARK, CMS-P1-PLOTTER, mounting type: snapped, for terminal block width: 8.2 mm, lettering field size: 10.5 x 8.15 mm, Number of individual labels: 10

---

## ZB 8 CUS - Zack marker strip

0825011

<https://www.phoenixcontact.com/in/products/0825011>



Zack marker strip, can be ordered: Strip, white, labeled according to customer specifications, mounting type: snap into tall marker groove, for terminal block width: 8.2 mm, lettering field size: 10.5 x 8.15 mm, Number of individual labels: 10

# UTMED 6-PE - Ground terminal

3047442

<https://www.phoenixcontact.com/in/products/3047442>



## UC-TM 8 - Marker for terminal blocks

0818072

<https://www.phoenixcontact.com/in/products/0818072>



Marker for terminal blocks, Sheet, white, unlabeled, can be labeled with: BLUEMARK ID COLOR, BLUEMARK ID, BLUEMARK CLED, PLOTMARK, CMS-P1-PLOTTER, mounting type: snapped, for terminal block width: 8.2 mm, lettering field size: 7.6 x 10.5 mm, Number of individual labels: 56

---

## UC-TM 8 CUS - Marker for terminal blocks

0824597

<https://www.phoenixcontact.com/in/products/0824597>



Marker for terminal blocks, can be ordered: by sheet, white, labeled according to customer specifications, mounting type: snap into tall marker groove, for terminal block width: 8.2 mm, lettering field size: 7.6 x 10.5 mm, Number of individual labels: 56

# UTMED 6-PE - Ground terminal

3047442

<https://www.phoenixcontact.com/in/products/3047442>



## UCT-TM 8 - Marker for terminal blocks

0828740

<https://www.phoenixcontact.com/in/products/0828740>



Marker for terminal blocks, Sheet, white, unlabeled, can be labeled with: TOPMARK NEO, TOPMARK LASER, BLUEMARK ID COLOR, BLUEMARK ID, BLUEMARK CLED, THERMOMARK PRIME, THERMOMARK CARD 2.0, THERMOMARK CARD, mounting type: snapped, for terminal block width: 8.2 mm, lettering field size: 7.6 x 10.5 mm, Number of individual labels: 42

---

## UCT-TM 8 CUS - Marker for terminal blocks

0829616

<https://www.phoenixcontact.com/in/products/0829616>



Marker for terminal blocks, can be ordered: by sheet, white, labeled according to customer specifications, mounting type: snap into tall marker groove, for terminal block width: 8.2 mm, lettering field size: 7.6 x 10.5 mm, Number of individual labels: 42

# UTMED 6-PE - Ground terminal

3047442

<https://www.phoenixcontact.com/in/products/3047442>



## ZB 8,LGS:FORTL.ZAHLEN - Zack marker strip

1052015

<https://www.phoenixcontact.com/in/products/1052015>



Zack marker strip, Strip, white, labeled, can be labeled with: CMS-P1-PLOTTER, printed horizontally: consecutive numbers 1 ... 10, 11 ... 20, etc. up to 91 ... 100, mounting type: snapped, for terminal block width: 8.2 mm, lettering field size: 10. 5 x 8.15 mm, Number of individual labels: 10

---

## ZB 8,QR:FORTL.ZAHLEN - Zack marker strip

1052028

<https://www.phoenixcontact.com/in/products/1052028>



Zack marker strip, Strip, white, labeled, can be labeled with: CMS-P1-PLOTTER, Printed vertically: consecutive numbers 1 ... 10, 11 ... 20, etc. up to 91 ... 100, mounting type: snapped, for terminal block width: 8.2 mm, lettering field size: 10. 5 x 8.15 mm, Number of individual labels: 10

# UTMED 6-PE - Ground terminal

3047442

<https://www.phoenixcontact.com/in/products/3047442>



## ZB 8,LGS:L1-N,PE - Marker for terminal blocks

1052413

<https://www.phoenixcontact.com/in/products/1052413>



Marker for terminal blocks, Strip, white, labeled, can be labeled with: CMS-P1-PLOTTER, horizontal: L1, L2, L3, N, PE, L1, L2, L3, N, PE, mounting type: snapped, for terminal block width: 8.2 mm, lettering field size: 10.5 x 8.15 mm, Number of individual labels: 10

---

## E/AL-NS 35 - End bracket

1201662

<https://www.phoenixcontact.com/in/products/1201662>



End clamp, for end support of UKH 50 to UKH 240, is pushed onto DIN rail NS 35 and fixed with 2 screws, width: 10 mm, color: aluminum



# UTMED 6-PE - Ground terminal

3047442

<https://www.phoenixcontact.com/in/products/3047442>



## SZS 1,0X4,0 VDE - Screwdriver

1205066

<https://www.phoenixcontact.com/in/products/1205066>



Screwdriver, slot-headed, VDE insulated, size: 1.0 x 4.0 x 100 mm, 2-component grip, with non-slip grip

---

## D-UTME 6 - End cover

3047426

<https://www.phoenixcontact.com/in/products/3047426>

End cover, depth: 49.6 mm, width: 2.2 mm, height: 100.8 mm, color: gray



# UTMED 6-PE - Ground terminal

3047442

<https://www.phoenixcontact.com/in/products/3047442>



## TS-UT 6-T/SP - Separating plate

3072821

<https://www.phoenixcontact.com/in/products/3072821>

Separating plate, depth: 67.5 mm, width: 1 mm, height: 105.2 mm, color: gray



---

## DP-LPS-8 - Spacer plate

3270564

<https://www.phoenixcontact.com/in/products/3270564>

Spacer plate, depth: 24.4 mm, width: 8.2 mm, height: 18.5 mm, number of positions: 1, color: red



---

Phoenix Contact 2024 © - all rights reserved  
<https://www.phoenixcontact.com>

PHOENIX CONTACT (I) Pvt. Ltd.  
A-58/2, Okhla Industrial Area, Phase - II, New Delhi-110 020

+91.1275.71420  
[info@phoenixcontact.co.in](mailto:info@phoenixcontact.co.in)