

STMED 6-PE - Ground terminal



3035726

<https://www.phoenixcontact.com/in/products/3035726>

Please be informed that the data shown in this PDF document is generated from our online catalog. Please find the complete data in the user documentation. Our general terms of use for downloads are valid.



Ground terminal, number of connections: 2, connection method: Spring-cage connection, cross section: 0.2 mm² - 10 mm², mounting type: NS 35/7,5, NS 35/15, color: green-yellow

Your advantages

- Feed-through terminal blocks of the same shape are available
- Clear selection thanks to printed switching symbols
- Easy operation
- Six function shafts
- Compact design
- Flexible and comprehensive accessories
- Reliably snapped into the end positions

Commercial data

Item number	3035726
Packing unit	50 pc
Minimum order quantity	50 pc
Sales key	BE2
Product key	BE2133
Catalog page	Page 238 (C-1-2019)
GTIN	4046356281393
Weight per piece (including packing)	28.522 g
Weight per piece (excluding packing)	28.456 g
Customs tariff number	85369010
Country of origin	PL

STMED 6-PE - Ground terminal



3035726

<https://www.phoenixcontact.com/in/products/3035726>

Technical data

Product properties

Product type	Ground terminal block
Number of connections	2
Number of rows	1

Insulation characteristics

Overvoltage category	III
----------------------	-----

Electrical properties

Rated surge voltage	6 kV
Maximum power dissipation for nominal condition	1.31 W

Connection data

Grounding foot	Yes
Number of connections per level	2
Nominal cross section	6 mm ²
Note	Please observe the current carrying capacity of the DIN rails.
Stripping length	12 mm
Internal cylindrical gage	A4
Connection in acc. with standard	IEC 60947-7-2
Conductor cross section rigid	0.2 mm ² ... 10 mm ²
Cross section AWG	24 ... 8 (converted acc. to IEC)
Conductor cross section flexible	0.2 mm ² ... 6 mm ²
Conductor cross section, flexible [AWG]	24 ... 10 (converted acc. to IEC)
Conductor cross-section flexible (ferrule without plastic sleeve)	0.25 mm ² ... 6 mm ²
Flexible conductor cross section (ferrule with plastic sleeve)	0.25 mm ² ... 6 mm ²

Dimensions

Width	8.2 mm
Height	100.8 mm
Depth on NS 35/7,5	49.6 mm
Depth on NS 35/15	57.1 mm

Material specifications

Color	green-yellow
Flammability rating according to UL 94	V0
Insulating material group	I
Insulating material	PA
Static insulating material application in cold	-60 °C
Temperature index of insulation material (DIN EN 60216-1 (VDE 0304-21))	130 °C
Relative insulation material temperature index (Elec., UL 746 B)	130 °C

STMED 6-PE - Ground terminal



3035726

<https://www.phoenixcontact.com/in/products/3035726>

Fire protection for rail vehicles (DIN EN 45545-2) R22	HL 1 - HL 3
Fire protection for rail vehicles (DIN EN 45545-2) R23	HL 1 - HL 3
Fire protection for rail vehicles (DIN EN 45545-2) R24	HL 1 - HL 3
Fire protection for rail vehicles (DIN EN 45545-2) R26	HL 1 - HL 3
Calorimetric heat release NFPA 130 (ASTM E 1354)	28 MJ/kg
Surface flammability NFPA 130 (ASTM E 162)	passed
Specific optical density of smoke NFPA 130 (ASTM E 662)	passed
Smoke gas toxicity NFPA 130 (SMP 800C)	passed

Mechanical properties

Mechanical data

Open side panel	Yes
-----------------	-----

Environmental and real-life conditions

Oscillation/broadband noise

Specification	DIN EN 50155 (VDE 0115-200):2008-03
Spectrum	Service life test category 2, bogie-mounted
ASD level	6.12 (m/s ²) ² /Hz
Acceleration	3.12g
Test duration per axis	5 h
Test directions	X-, Y- and Z-axis
Result	Test passed

Shocks

Specification	DIN EN 50155 (VDE 0115-200):2008-03
Pulse shape	Half-sine
Acceleration	30g
Shock duration	18 ms
Number of shocks per direction	3
Test directions	X-, Y- and Z-axis (pos. and neg.)
Result	Test passed

Ambient conditions

Ambient temperature (operation)	-60 °C ... 110 °C (Operating temperature range incl. self-heating; for max. short-term operating temperature, see RTI Elec.)
Ambient temperature (storage/transport)	-25 °C ... 60 °C (for a short time, not exceeding 24 h, -60 °C to +70 °C)
Ambient temperature (assembly)	-5 °C ... 70 °C
Ambient temperature (actuation)	-5 °C ... 70 °C
Permissible humidity (operation)	20 % ... 90 %
Permissible humidity (storage/transport)	30 % ... 70 %

Standards and regulations

Connection in acc. with standard	IEC 60947-7-2
----------------------------------	---------------

STMED 6-PE - Ground terminal



3035726

<https://www.phoenixcontact.com/in/products/3035726>

Mounting

Mounting type	NS 35/7,5
	NS 35/15

STMED 6-PE - Ground terminal

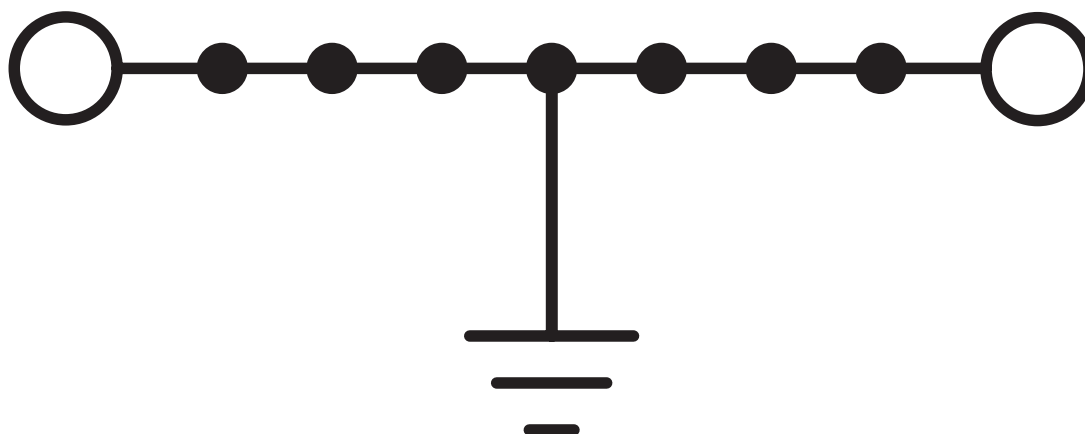
3035726

<https://www.phoenixcontact.com/in/products/3035726>



Drawings

Circuit diagram

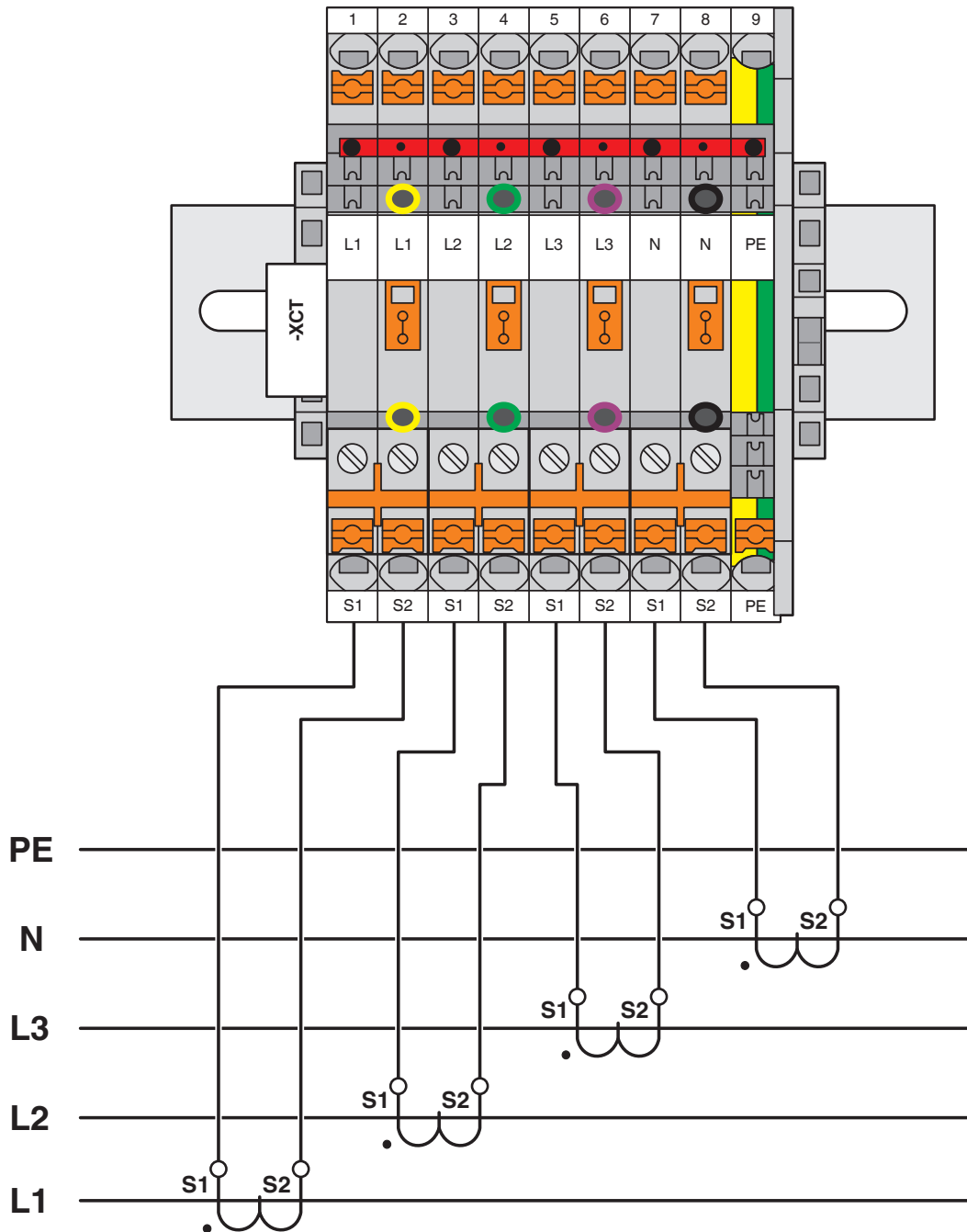


STMED 6-PE - Ground terminal

3035726

<https://www.phoenixcontact.com/in/products/3035726>

Circuit diagram

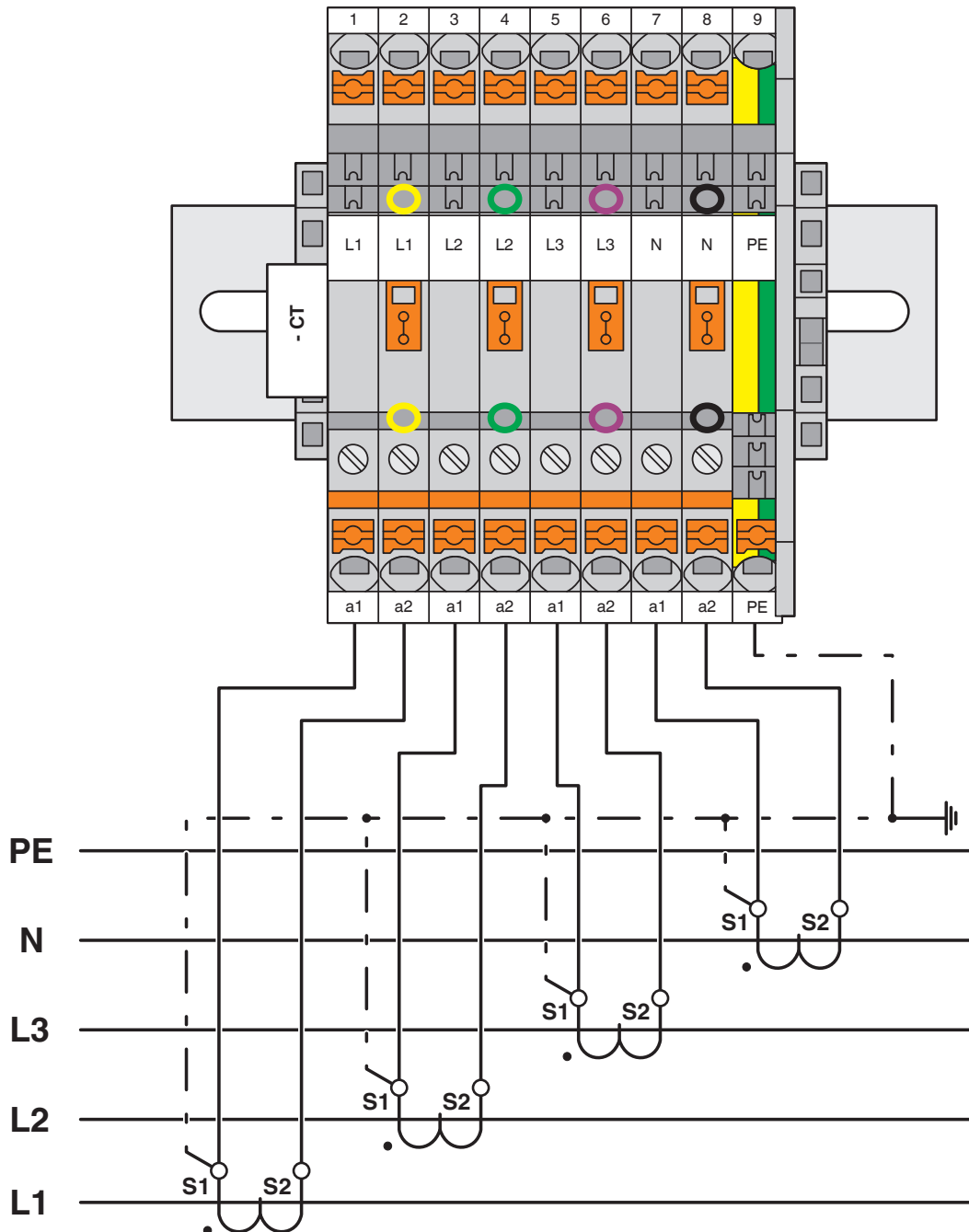


STMED 6-PE - Ground terminal

3035726

<https://www.phoenixcontact.com/in/products/3035726>

Circuit diagram



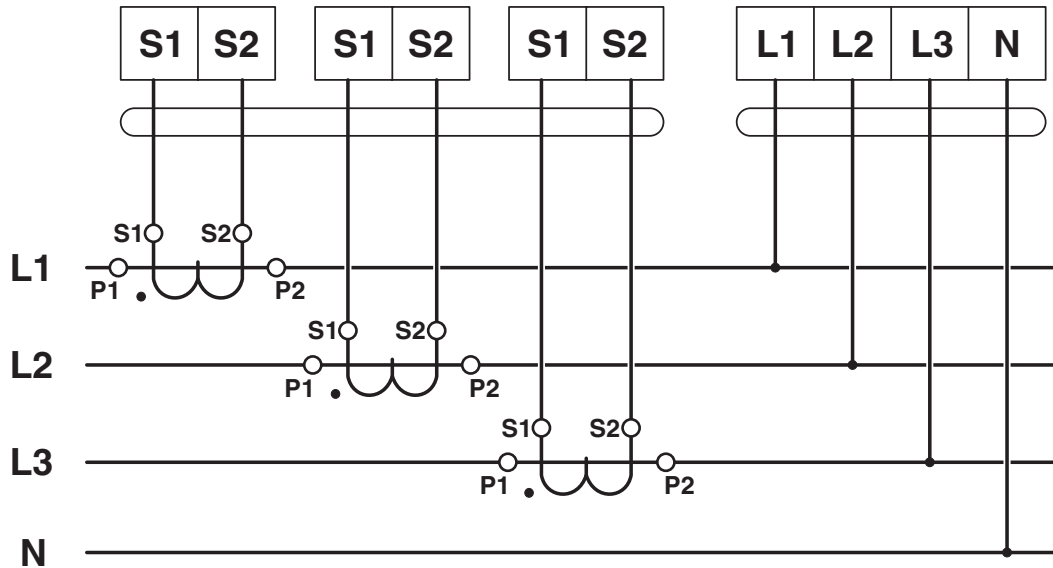
STMED 6-PE - Ground terminal



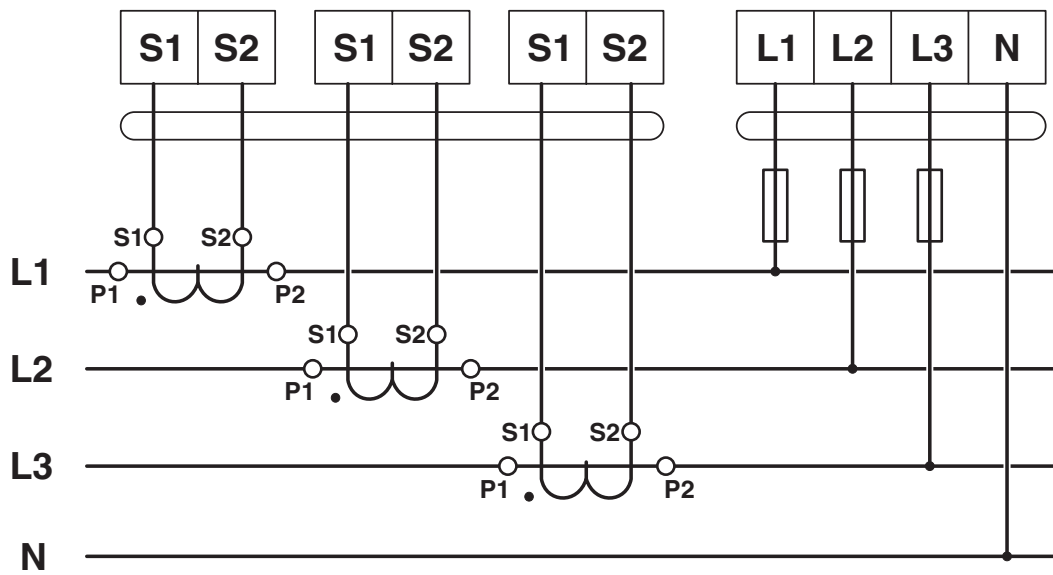
3035726

<https://www.phoenixcontact.com/in/products/3035726>

Circuit diagram



Circuit diagram



STMED 6-PE - Ground terminal





3035726


<https://www.phoenixcontact.com/in/products/3035726>

Approvals

To download certificates, visit the product detail page: <https://www.phoenixcontact.com/in/products/3035726>

 CSA Approval ID: 13631				
	Nominal voltage U_N	Nominal current I_N	Cross section AWG	Cross section mm^2
	-	-	24 - 8	-

 EAC Approval ID: RU C-DE.BL08.B.00644				
---	--	--	--	--

 cULus Recognized Approval ID: E60425				
	Nominal voltage U_N	Nominal current I_N	Cross section AWG	Cross section mm^2
Use group B	-	-	24 - 8	-
Use group C	-	-	24 - 8	-
Use group F	-	-	24 - 8	-

STMED 6-PE - Ground terminal



3035726

<https://www.phoenixcontact.com/in/products/3035726>

Classifications

ECLASS

ECLASS-11.0	27141141
ECLASS-13.0	27250103

ETIM

ETIM 9.0	EC000901
----------	----------

UNSPSC

UNSPSC 21.0	39121400
-------------	----------

STMED 6-PE - Ground terminal



3035726

<https://www.phoenixcontact.com/in/products/3035726>

Environmental product compliance

EU RoHS

Fulfills EU RoHS substance requirements	Yes, No exemptions
---	--------------------

China RoHS

Environment friendly use period (EFUP)	EFUP-E
	No hazardous substances above the limits

EU REACH SVHC

REACH candidate substance (CAS No.)	No substance above 0.1 wt%
-------------------------------------	----------------------------

STMED 6-PE - Ground terminal

3035726

<https://www.phoenixcontact.com/in/products/3035726>



Accessories

FBS 2-8 - Plug-in bridge

3030284

<https://www.phoenixcontact.com/in/products/3030284>



Plug-in bridge, pitch: 8.2 mm, number of positions: 2, color: red

FBS 3-8 - Plug-in bridge

3030297

<https://www.phoenixcontact.com/in/products/3030297>



Plug-in bridge, pitch: 8.2 mm, number of positions: 3, color: red

STMED 6-PE - Ground terminal

3035726

<https://www.phoenixcontact.com/in/products/3035726>



FBS 4-8 - Plug-in bridge

3030307

<https://www.phoenixcontact.com/in/products/3030307>

Plug-in bridge, pitch: 8.2 mm, number of positions: 4, color: red



FBS 5-8 - Plug-in bridge

3030310

<https://www.phoenixcontact.com/in/products/3030310>

Plug-in bridge, pitch: 8.2 mm, number of positions: 5, color: red



STMED 6-PE - Ground terminal

3035726

<https://www.phoenixcontact.com/in/products/3035726>



FBS 10-8 - Plug-in bridge

3030323

<https://www.phoenixcontact.com/in/products/3030323>



Plug-in bridge, pitch: 8.2 mm, number of positions: 10, color: red

FBS 6-8 - Plug-in bridge

3032470

<https://www.phoenixcontact.com/in/products/3032470>



Plug-in bridge, pitch: 8.2 mm, number of positions: 6, color: red

STMED 6-PE - Ground terminal

3035726

<https://www.phoenixcontact.com/in/products/3035726>



FBS 1/3-8 - Plug-in bridge

3032363

<https://www.phoenixcontact.com/in/products/3032363>



Plug-in bridge, pitch: 8.2 mm, number of positions: 3, pin assignment: 1,3, color: red

FBS 1/4-8 - Plug-in bridge

3032376

<https://www.phoenixcontact.com/in/products/3032376>



Plug-in bridge, pitch: 8.2 mm, number of positions: 4, pin assignment: 1, 4, color: red

STMED 6-PE - Ground terminal

3035726

<https://www.phoenixcontact.com/in/products/3035726>



FBS 1/3/5-8 - Plug-in bridge

3032389

<https://www.phoenixcontact.com/in/products/3032389>



Plug-in bridge, pitch: 8.2 mm, number of positions: 5, pin assignment: 1,3,5, color: red

FBS 1/4/7/10-8 - Plug-in bridge

3032402

<https://www.phoenixcontact.com/in/products/3032402>



Plug-in bridge, pitch: 8.2 mm, number of positions: 10, pin assignment: 1,4,7,10, color: red

STMED 6-PE - Ground terminal

3035726

<https://www.phoenixcontact.com/in/products/3035726>



FBS 1/5-8 - Plug-in bridge

3032381

<https://www.phoenixcontact.com/in/products/3032381>



Plug-in bridge, pitch: 8.2 mm, number of positions: 5, pin assignment: 1,5, color: red

FBS 2-8 CT - Plug-in bridge

3033830

<https://www.phoenixcontact.com/in/products/3033830>



Plug-in bridge, pitch: 8.2 mm, number of positions: 2, color: orange

STMED 6-PE - Ground terminal

3035726

<https://www.phoenixcontact.com/in/products/3035726>



FBS 3-8 CT - Plug-in bridge

3033831

<https://www.phoenixcontact.com/in/products/3033831>



Plug-in bridge, pitch: 8.2 mm, number of positions: 3, color: orange

FBS 4-8 CT - Plug-in bridge

3033832

<https://www.phoenixcontact.com/in/products/3033832>



Plug-in bridge, pitch: 8.2 mm, number of positions: 4, color: orange

STMED 6-PE - Ground terminal

3035726

<https://www.phoenixcontact.com/in/products/3035726>



FBS 10-8 CT - Plug-in bridge

3033833

<https://www.phoenixcontact.com/in/products/3033833>



Plug-in bridge, pitch: 8.2 mm, number of positions: 10, color: orange

FBS 2-8 BU - Plug-in bridge

3032567

<https://www.phoenixcontact.com/in/products/3032567>



Plug-in bridge, pitch: 8.2 mm, number of positions: 2, color: blue

STMED 6-PE - Ground terminal

3035726

<https://www.phoenixcontact.com/in/products/3035726>



FBS 3-8 BU - Plug-in bridge

3032570

<https://www.phoenixcontact.com/in/products/3032570>



Plug-in bridge, pitch: 8.2 mm, number of positions: 3, color: blue

FBS 4-8 BU - Plug-in bridge

3032583

<https://www.phoenixcontact.com/in/products/3032583>



Plug-in bridge, pitch: 8.2 mm, number of positions: 4, color: blue

STMED 6-PE - Ground terminal

3035726

<https://www.phoenixcontact.com/in/products/3035726>



FBS 5-8 BU - Plug-in bridge

3032596

<https://www.phoenixcontact.com/in/products/3032596>

Plug-in bridge, pitch: 8.2 mm, number of positions: 5, color: blue



FBS 6-8 BU - Plug-in bridge

3032677

<https://www.phoenixcontact.com/in/products/3032677>

Plug-in bridge, pitch: 8.2 mm, number of positions: 6, color: blue



STMED 6-PE - Ground terminal

3035726

<https://www.phoenixcontact.com/in/products/3035726>



FBS 10-8 BU - Plug-in bridge

3032606

<https://www.phoenixcontact.com/in/products/3032606>

Plug-in bridge, pitch: 8.2 mm, number of positions: 10, color: blue



FBS 2-8 GY - Plug-in bridge

3032621

<https://www.phoenixcontact.com/in/products/3032621>

Plug-in bridge, pitch: 8.2 mm, number of positions: 2, color: gray



STMED 6-PE - Ground terminal

3035726

<https://www.phoenixcontact.com/in/products/3035726>



FBS 3-8 GY - Plug-in bridge

3032622

<https://www.phoenixcontact.com/in/products/3032622>



Plug-in bridge, pitch: 8.2 mm, number of positions: 3, color: gray

FBS 4-8 GY - Plug-in bridge

3032635

<https://www.phoenixcontact.com/in/products/3032635>



Plug-in bridge, pitch: 8.2 mm, number of positions: 4, color: gray

STMED 6-PE - Ground terminal

3035726

<https://www.phoenixcontact.com/in/products/3035726>



FBS 5-8 GY - Plug-in bridge

3032648

<https://www.phoenixcontact.com/in/products/3032648>

Plug-in bridge, pitch: 8.2 mm, number of positions: 5, color: gray



FBS 6-8 GY - Plug-in bridge

3032664

<https://www.phoenixcontact.com/in/products/3032664>

Plug-in bridge, pitch: 8.2 mm, number of positions: 6, color: gray



STMED 6-PE - Ground terminal

3035726

<https://www.phoenixcontact.com/in/products/3035726>



FBS 10-8 GY - Plug-in bridge

3032651

<https://www.phoenixcontact.com/in/products/3032651>

Plug-in bridge, pitch: 8.2 mm, number of positions: 10, color: gray



FBSRH 2-8 - Short-circuit connector

3033802

<https://www.phoenixcontact.com/in/products/3033802>

Short-circuit connector, pitch: 8.2 mm, number of positions: 2, color: red



STMED 6-PE - Ground terminal

3035726

<https://www.phoenixcontact.com/in/products/3035726>



FBSRH 3-8 - Short-circuit connector

3033803

<https://www.phoenixcontact.com/in/products/3033803>



Short-circuit connector, pitch: 8.2 mm, number of positions: 3, color: red

FBSRH 4-8 - Short-circuit connector

3033804

<https://www.phoenixcontact.com/in/products/3033804>



Short-circuit connector, pitch: 8.2 mm, number of positions: 4, color: red

STMED 6-PE - Ground terminal

3035726

<https://www.phoenixcontact.com/in/products/3035726>



FBSR 2-8 - Plug-in bridge

3033808

<https://www.phoenixcontact.com/in/products/3033808>



Plug-in bridge, pitch: 8.2 mm, number of positions: 2, color: red

FBSR 3-8 - Plug-in bridge

3001597

<https://www.phoenixcontact.com/in/products/3001597>



Plug-in bridge, pitch: 8.2 mm, number of positions: 3, color: red

STMED 6-PE - Ground terminal

3035726

<https://www.phoenixcontact.com/in/products/3035726>



FBSR 4-8 - Plug-in bridge

3000585

<https://www.phoenixcontact.com/in/products/3000585>



Plug-in bridge, pitch: 8.2 mm, number of positions: 4, color: red

FBSR 5-8 - Plug-in bridge

3033809

<https://www.phoenixcontact.com/in/products/3033809>



Plug-in bridge, pitch: 8.2 mm, number of positions: 5, color: red

STMED 6-PE - Ground terminal

3035726

<https://www.phoenixcontact.com/in/products/3035726>



FBSR 10-8 - Plug-in bridge

3001599

<https://www.phoenixcontact.com/in/products/3001599>



Plug-in bridge, pitch: 8.2 mm, number of positions: 10, color: red

FBSR 16-8 - Plug-in bridge

3033816

<https://www.phoenixcontact.com/in/products/3033816>



Plug-in bridge, pitch: 8.2 mm, number of positions: 16, color: red

STMED 6-PE - Ground terminal

3035726

<https://www.phoenixcontact.com/in/products/3035726>

FBSR 1/6/11/16-8 - Plug-in bridge

3033820

<https://www.phoenixcontact.com/in/products/3033820>

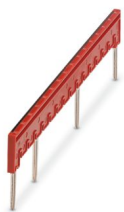


Plug-in bridge, non-adjacent, pitch: 8.2 mm, number of positions: 16, pin assignment: 1, 6, 11, 16, color: red

FBSR 1/7/13/16-8 - Plug-in bridge

3033821

<https://www.phoenixcontact.com/in/products/3033821>



Plug-in bridge, non-adjacent, pitch: 8.2 mm, number of positions: 16, pin assignment: 1, 7, 13, 16, color: red

STMED 6-PE - Ground terminal

3035726

<https://www.phoenixcontact.com/in/products/3035726>



FBSR 1/6/11/14-8 - Plug-in bridge

3033822

<https://www.phoenixcontact.com/in/products/3033822>



Plug-in bridge, non-adjacent, pitch: 8.2 mm, number of positions: 16, pin assignment: 1, 6, 11, 14, color: red

SB-ME 2-8 - Switching jumper

3034468

<https://www.phoenixcontact.com/in/products/3034468>



Switching jumper, pitch: 8.2 mm, number of positions: 2, length: 25 mm, color: gray/orange

STMED 6-PE - Ground terminal

3035726

<https://www.phoenixcontact.com/in/products/3035726>



SB-ME 3-8 - Switching jumper

3032800

<https://www.phoenixcontact.com/in/products/3032800>



Switching jumper, pitch: 8.2 mm, number of positions: 3, length: 25 mm, color: gray/orange

SB-ME 4-8 - Switching jumper

3034484

<https://www.phoenixcontact.com/in/products/3034484>



Switching jumper, pitch: 8.2 mm, number of positions: 4, length: 25 mm, color: gray/orange

STMED 6-PE - Ground terminal

3035726

<https://www.phoenixcontact.com/in/products/3035726>



SB-MER 2-8 - Switching jumper

3000587

<https://www.phoenixcontact.com/in/products/3000587>



Switching jumper, pitch: 8.2 mm, number of positions: 2, length: 25 mm, color: gray/orange

SB-MER 3-8 - Switching jumper

3000588

<https://www.phoenixcontact.com/in/products/3000588>



Switching jumper, pitch: 8.2 mm, number of positions: 3, length: 25 mm, color: gray/orange

STMED 6-PE - Ground terminal

3035726

<https://www.phoenixcontact.com/in/products/3035726>



SB-MER 4-8 - Switching jumper

3000589

<https://www.phoenixcontact.com/in/products/3000589>



Switching jumper, pitch: 8.2 mm, number of positions: 4, length: 25 mm, color: gray/orange

D-DTME 6 - End cover

3034426

<https://www.phoenixcontact.com/in/products/3034426>

End cover, depth: 49.6 mm, width: 2.2 mm, height: 99.8 mm, color: gray



STMED 6-PE - Ground terminal

3035726

<https://www.phoenixcontact.com/in/products/3035726>



CARRIER 35-8 - Partition plate

3034387

<https://www.phoenixcontact.com/in/products/3034387>

Partition plate, With storage option for FBS...-8 and PAI 4-FIX, material: PA, color: gray



SB-ME 2-8 - Switching jumper

3034468

<https://www.phoenixcontact.com/in/products/3034468>

Switching jumper, pitch: 8.2 mm, number of positions: 2, length: 25 mm, color: gray/orange



STMED 6-PE - Ground terminal

3035726

<https://www.phoenixcontact.com/in/products/3035726>

AP-ME METER - Cover profile

3034361

<https://www.phoenixcontact.com/in/products/3034361>

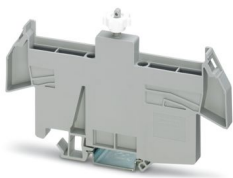


Cover profile, for covering terminal strips, snapped onto APT-ME cover profile carrier or APH-ME end bracket. A cover profile carrier should be positioned at the ends and at intervals of around 40 cm. Length supplied: 1 m

APH-ME - Cover profile carrier

3034374

<https://www.phoenixcontact.com/in/products/3034374>



Cover profile carrier, for mounting on NS 35/7,5 DIN rail, for fixing the AP-ME cover profile, can be sealed as an option

STMED 6-PE - Ground terminal

3035726

<https://www.phoenixcontact.com/in/products/3035726>



APT-ME - Cover profile carrier

3034358

<https://www.phoenixcontact.com/in/products/3034358>

Cover profile carrier for mounting on NS 35/7.5 DIN rail for attaching the cover profile AP-ME



AH-ME - Covering hood

3240265

<https://www.phoenixcontact.com/in/products/3240265>

Cover, for the contact- and dust-protected encapsulation of the components



STMED 6-PE - Ground terminal

3035726

<https://www.phoenixcontact.com/in/products/3035726>



LPS-8/E - Service connector

3270560

<https://www.phoenixcontact.com/in/products/3270560>



Service connector, nom. voltage: 800 V, nominal current: 24 A, number of positions: 1, connection method: Push-in connection, Rated cross section: 2.5 mm², cross section: 0.14 mm²- 4 mm², color: red

LPS-8 - Service connector

3270561

<https://www.phoenixcontact.com/in/products/3270561>



Service connector, nom. voltage: 800 V, nominal current: 24 A, number of positions: 1, connection method: Push-in connection, Rated cross section: 2.5 mm², cross section: 0.14 mm²- 4 mm², color: red

STMED 6-PE - Ground terminal

3035726

<https://www.phoenixcontact.com/in/products/3035726>



LPO 6/E - Pick-off plug

3270525

<https://www.phoenixcontact.com/in/products/3270525>



Pick-off plug, nom. voltage: 800 V, nominal current: 24 A, number of positions: 1, connection method: Push-in connection, Rated cross section: 2.5 mm², cross section: 0.14 mm²- 4 mm², color: gray

LPO 6 - Pick-off plug

3270526

<https://www.phoenixcontact.com/in/products/3270526>



Pick-off plug, nom. voltage: 800 V, nominal current: 24 A, number of positions: 1, connection method: Push-in connection, Rated cross section: 2.5 mm², cross section: 0.14 mm²- 4 mm², color: gray

STMED 6-PE - Ground terminal

3035726

<https://www.phoenixcontact.com/in/products/3035726>



NS 35/ 7,5 PERF 2000MM - DIN rail perforated

0801733

<https://www.phoenixcontact.com/in/products/0801733>



DIN rail perforated, Pack of 25 (50 m), acc. to EN 60715, material: Steel, galvanized, passivated with a thick layer, Standard profile, color: silver

NS 35/ 7,5 UNPERF 2000MM - DIN rail, unperforated

0801681

<https://www.phoenixcontact.com/in/products/0801681>



DIN rail, unperforated, Pack of 25 (50 m), acc. to EN 60715, material: Steel, galvanized, passivated with a thick layer, Standard profile, color: silver

STMED 6-PE - Ground terminal

3035726

<https://www.phoenixcontact.com/in/products/3035726>



NS 35/ 7,5 WH PERF 2000MM - DIN rail perforated

1204119

<https://www.phoenixcontact.com/in/products/1204119>



DIN rail perforated, Pack of 25 (50 m), acc. to EN 60715, material: Steel, Galvanized, white passivated, Standard profile, color: silver

NS 35/ 7,5 WH UNPERF 2000MM-VPE 10 - DIN rail, unperforated

1204122

<https://www.phoenixcontact.com/in/products/1204122>



DIN rail, unperforated, Pack of 10 (20 m), acc. to EN 60715, material: Steel, Galvanized, white passivated, Standard profile, color: silver

STMED 6-PE - Ground terminal

3035726

<https://www.phoenixcontact.com/in/products/3035726>



NS 35/ 7,5 AL UNPERF 2000MM - DIN rail, unperforated

0801704

<https://www.phoenixcontact.com/in/products/0801704>



DIN rail, unperforated, Pack of 25 (50 m), acc. to EN 60715, material: Aluminum, uncoated, Standard profile, color: silver

NS 35/ 7,5 ZN PERF 2000MM - DIN rail perforated

1206421

<https://www.phoenixcontact.com/in/products/1206421>



DIN rail perforated, Pack of 25 (50 m), acc. to EN 60715, material: Steel, galvanized, Standard profile, color: silver

STMED 6-PE - Ground terminal

3035726

<https://www.phoenixcontact.com/in/products/3035726>



NS 35/ 7,5 ZN UNPERF 2000MM - DIN rail, unperforated

1206434

<https://www.phoenixcontact.com/in/products/1206434>



DIN rail, unperforated, Pack of 25 (50 m), acc. to EN 60715, material: Steel, galvanized, Standard profile, color: silver

NS 35/ 7,5 CU UNPERF 2000MM-VPE 10 - DIN rail, unperforated

0801762

<https://www.phoenixcontact.com/in/products/0801762>



DIN rail, unperforated, Pack of 10 (20 m), acc. to EN 60715, material: Copper, uncoated, Standard profile, color: copper-colored

STMED 6-PE - Ground terminal

3035726

<https://www.phoenixcontact.com/in/products/3035726>



NS 35/ 7,5 CAP - End cap

1206560

<https://www.phoenixcontact.com/in/products/1206560>

DIN rail end piece, for DIN rail NS 35/7.5



PAI-4-FIX BU - Test adapter

3032729

<https://www.phoenixcontact.com/in/products/3032729>

Test adapter, Touch proof against unintentional direct contact according to DIN EN 50274 when plugged in, for 4 mm test plug and terminal blocks with 8.2 mm pitch, number of positions: 1, color: blue



STMED 6-PE - Ground terminal

3035726

<https://www.phoenixcontact.com/in/products/3035726>



PAI-4-FIX OG - Test adapter

3034455

<https://www.phoenixcontact.com/in/products/3034455>



4 mm test adapter, for terminal blocks with 8.2 mm pitch

PAI-4-FIX YE - Test adapter

3032745

<https://www.phoenixcontact.com/in/products/3032745>



Test adapter, Touch proof against unintentional direct contact according to DIN EN 50274 when plugged in, for 4 mm test plug and terminal blocks with 8.2 mm pitch, number of positions: 1, color: yellow

STMED 6-PE - Ground terminal

3035726

<https://www.phoenixcontact.com/in/products/3035726>



PAI-4-FIX RD - Test adapter

3032732

<https://www.phoenixcontact.com/in/products/3032732>



Test adapter, Touch proof against unintentional direct contact according to DIN EN 50274 when plugged in, for 4 mm test plug and terminal blocks with 8.2 mm pitch, number of positions: 1, color: red

PAI-4-FIX GN - Test adapter

3032758

<https://www.phoenixcontact.com/in/products/3032758>



Test adapter, Touch proof against unintentional direct contact according to DIN EN 50274 when plugged in, for 4 mm test plug and terminal blocks with 8.2 mm pitch, number of positions: 1, color: green

STMED 6-PE - Ground terminal

3035726

<https://www.phoenixcontact.com/in/products/3035726>



PAI-4-FIX BK - Test adapter

3032774

<https://www.phoenixcontact.com/in/products/3032774>



Test adapter, Touch proof against unintentional direct contact according to DIN EN 50274 when plugged in, for 4 mm test plug and terminal blocks with 8.2 mm pitch, number of positions: 1, color: black

PAI-4-FIX GY - Test adapter

3032790

<https://www.phoenixcontact.com/in/products/3032790>



Test adapter, Touch proof against unintentional direct contact according to DIN EN 50274 when plugged in, for 4 mm test plug and terminal blocks with 8.2 mm pitch, number of positions: 1, color: gray

STMED 6-PE - Ground terminal

3035726

<https://www.phoenixcontact.com/in/products/3035726>



PAI-4-FIX VT - Test adapter

3032761

<https://www.phoenixcontact.com/in/products/3032761>



Test adapter, Touch proof against unintentional direct contact according to DIN EN 50274 when plugged in, for 4 mm test plug and terminal blocks with 8.2 mm pitch, number of positions: 1, color: violet

PAI-4-FIX BN - Test adapter

3032787

<https://www.phoenixcontact.com/in/products/3032787>



Test adapter, Touch proof against unintentional direct contact according to DIN EN 50274 when plugged in, for 4 mm test plug and terminal blocks with 8.2 mm pitch, number of positions: 1, color: brown

STMED 6-PE - Ground terminal

3035726

<https://www.phoenixcontact.com/in/products/3035726>



PAI-4-FIX WH - Test adapter

3032797

<https://www.phoenixcontact.com/in/products/3032797>



Test adapter, Touch proof against unintentional direct contact according to DIN EN 50274 when plugged in, for 4 mm test plug and terminal blocks with 8.2 mm pitch, number of positions: 1, color: white

PAIS-4-FIX GY - Test adapter

3032791

<https://www.phoenixcontact.com/in/products/3032791>



Test adapter, Touch proof against unintentional direct contact according to DIN EN 50274 when plugged in, for 4 mm test plug and terminal blocks with 5.2 mm, 6.2 mm, and 8.2 mm pitch, number of positions: 1, color: gray

STMED 6-PE - Ground terminal

3035726

<https://www.phoenixcontact.com/in/products/3035726>



PAIS-4-FIX BK - Test adapter

3032792

<https://www.phoenixcontact.com/in/products/3032792>



Test adapter, Touch proof against unintentional direct contact according to DIN EN 50274 when plugged in, for 4 mm test plug and terminal blocks with 5.2 mm, 6.2 mm, and 8.2 mm pitch, number of positions: 1, color: black

PAIS-4-FIX RD - Test adapter

3032793

<https://www.phoenixcontact.com/in/products/3032793>



Test adapter, Do not plug in while the power is connected, for 4 mm test plug and terminal blocks with 5.2 mm, 6.2 mm, and 8.2 mm pitch, number of positions: 1, color: red

STMED 6-PE - Ground terminal

3035726

<https://www.phoenixcontact.com/in/products/3035726>



PAIS-4-FIX BU - Test adapter

3032798

<https://www.phoenixcontact.com/in/products/3032798>



Test adapter, Touch proof against unintentional direct contact according to DIN EN 50274 when plugged in, for 4 mm test plug and terminal blocks with 5.2 mm, 6.2 mm, and 8.2 mm pitch, number of positions: 1, color: blue

PAIS-4-FIX YE - Test adapter

3032799

<https://www.phoenixcontact.com/in/products/3032799>



Test adapter, Touch proof against unintentional direct contact according to DIN EN 50274 when plugged in, for 4 mm test plug and terminal blocks with 5.2 mm, 6.2 mm, and 8.2 mm pitch, number of positions: 1, color: yellow

STMED 6-PE - Ground terminal

3035726

<https://www.phoenixcontact.com/in/products/3035726>



PAIS-4-FIX GN - Test adapter

3032801

<https://www.phoenixcontact.com/in/products/3032801>



Test adapter, Touch proof against unintentional direct contact according to DIN EN 50274 when plugged in, for 4 mm test plug and terminal blocks with 5.2 mm, 6.2 mm, and 8.2 mm pitch, number of positions: 1, color: green

PAIS-4-FIX VT - Test adapter

3032802

<https://www.phoenixcontact.com/in/products/3032802>



Test adapter, Touch proof against unintentional direct contact according to DIN EN 50274 when plugged in, for 4 mm test plug and terminal blocks with 5.2 mm, 6.2 mm, and 8.2 mm pitch, number of positions: 1, color: violet

STMED 6-PE - Ground terminal

3035726

<https://www.phoenixcontact.com/in/products/3035726>



PS-6 - Test plug

3030996

<https://www.phoenixcontact.com/in/products/3030996>



Test plug, Modular test plug, number of positions: 1, color: red

PS-6/2,3MM RD - Test plug

3038736

<https://www.phoenixcontact.com/in/products/3038736>



Test plug, number of positions: 1, color: red

STMED 6-PE - Ground terminal

3035726

<https://www.phoenixcontact.com/in/products/3035726>



E/AL-NS 35 - End bracket

1201662

<https://www.phoenixcontact.com/in/products/1201662>



End clamp, for end support of UKH 50 to UKH 240, is pushed onto DIN rail NS 35 and fixed with 2 screws, width: 10 mm, color: aluminum

ZBF 8:UNBEDRUCKT - Zack Marker strip, flat

0808781

<https://www.phoenixcontact.com/in/products/0808781>



Zack Marker strip, flat, Strip, white, unlabeled, can be labeled with: PLOTMARK, CMS-P1-PLOTTER, mounting type: snapped, for terminal block width: 8 mm, lettering field size: 5.15 x 8.15 mm, Number of individual labels: 10

STMED 6-PE - Ground terminal

3035726

<https://www.phoenixcontact.com/in/products/3035726>



ZBF 8 CUS - Zack Marker strip, flat

0825030

<https://www.phoenixcontact.com/in/products/0825030>



Zack Marker strip, flat, can be ordered: Strip, white, labeled according to customer specifications, mounting type: snap into flat marker groove, for terminal block width: 8 mm, lettering field size: 5.15 x 8.15 mm, Number of individual labels: 10

ZBF 8,LGS:FORTL.ZAHLEN - Zack Marker strip, flat

0808804

<https://www.phoenixcontact.com/in/products/0808804>



Zack Marker strip, flat, Strip, white, labeled, printed horizontally: consecutive numbers 1 ... 10, 11 ... 20, etc. up to 101 ... 110, mounting type: snapped, for terminal block width: 8 mm, lettering field size: 5.15 x 8.15 mm, Number of individual labels: 10

STMED 6-PE - Ground terminal

3035726

<https://www.phoenixcontact.com/in/products/3035726>



UC-TMF 8 - Marker for terminal blocks

0818137

<https://www.phoenixcontact.com/in/products/0818137>



Marker for terminal blocks, Sheet, white, unlabeled, can be labeled with: BLUEMARK ID COLOR, BLUEMARK ID, BLUEMARK CLED, PLOTMARK, CMS-P1-PLOTTER, mounting type: snapped, for terminal block width: 8.2 mm, lettering field size: 7.6 x 5.1 mm, Number of individual labels: 56

UC-TMF 8 CUS - Marker for terminal blocks

0824654

<https://www.phoenixcontact.com/in/products/0824654>



Marker for terminal blocks, can be ordered: by sheet, white, labeled according to customer specifications, mounting type: snap into flat marker groove, for terminal block width: 8.2 mm, lettering field size: 7.6 x 5.1 mm, Number of individual labels: 56

STMED 6-PE - Ground terminal

3035726

<https://www.phoenixcontact.com/in/products/3035726>



UCT-TMF 8 - Marker for terminal blocks

0828748

<https://www.phoenixcontact.com/in/products/0828748>



Marker for terminal blocks, Sheet, white, unlabeled, can be labeled with: TOPMARK NEO, TOPMARK LASER, BLUEMARK ID COLOR, BLUEMARK ID, BLUEMARK CLED, THERMOMARK PRIME, THERMOMARK CARD 2.0, THERMOMARK CARD, mounting type: snapped, for terminal block width: 8.2 mm, lettering field size: 7.4 x 4.7 mm, Number of individual labels: 42

UCT-TMF 8 CUS - Marker for terminal blocks

0829672

<https://www.phoenixcontact.com/in/products/0829672>



Marker for terminal blocks, can be ordered: by sheet, white, labeled according to customer specifications, mounting type: snap into flat marker groove, for terminal block width: 8.2 mm, lettering field size: 7.4 x 4.7 mm, Number of individual labels: 42

STMED 6-PE - Ground terminal

3035726

<https://www.phoenixcontact.com/in/products/3035726>



ZB 8:UNBEDRUCKT - Zack marker strip

1052002

<https://www.phoenixcontact.com/in/products/1052002>

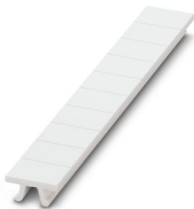


Zack marker strip, Strip, white, unlabeled, can be labeled with: PLOTMARK, CMS-P1-PLOTTER, mounting type: snapped, for terminal block width: 8.2 mm, lettering field size: 10.5 x 8.15 mm, Number of individual labels: 10

ZB 8 CUS - Zack marker strip

0825011

<https://www.phoenixcontact.com/in/products/0825011>



Zack marker strip, can be ordered: Strip, white, labeled according to customer specifications, mounting type: snap into tall marker groove, for terminal block width: 8.2 mm, lettering field size: 10.5 x 8.15 mm, Number of individual labels: 10

STMED 6-PE - Ground terminal

3035726

<https://www.phoenixcontact.com/in/products/3035726>



UC-TM 8 - Marker for terminal blocks

0818072

<https://www.phoenixcontact.com/in/products/0818072>



Marker for terminal blocks, Sheet, white, unlabeled, can be labeled with: BLUEMARK ID COLOR, BLUEMARK ID, BLUEMARK CLED, PLOTMARK, CMS-P1-PLOTTER, mounting type: snapped, for terminal block width: 8.2 mm, lettering field size: 7.6 x 10.5 mm, Number of individual labels: 56

UC-TM 8 CUS - Marker for terminal blocks

0824597

<https://www.phoenixcontact.com/in/products/0824597>



Marker for terminal blocks, can be ordered: by sheet, white, labeled according to customer specifications, mounting type: snap into tall marker groove, for terminal block width: 8.2 mm, lettering field size: 7.6 x 10.5 mm, Number of individual labels: 56

STMED 6-PE - Ground terminal

3035726

<https://www.phoenixcontact.com/in/products/3035726>



UCT-TM 8 - Marker for terminal blocks

0828740

<https://www.phoenixcontact.com/in/products/0828740>



Marker for terminal blocks, Sheet, white, unlabeled, can be labeled with: TOPMARK NEO, TOPMARK LASER, BLUEMARK ID COLOR, BLUEMARK ID, BLUEMARK CLED, THERMOMARK PRIME, THERMOMARK CARD 2.0, THERMOMARK CARD, mounting type: snapped, for terminal block width: 8.2 mm, lettering field size: 7.6 x 10.5 mm, Number of individual labels: 42

UCT-TM 8 CUS - Marker for terminal blocks

0829616

<https://www.phoenixcontact.com/in/products/0829616>



Marker for terminal blocks, can be ordered: by sheet, white, labeled according to customer specifications, mounting type: snap into tall marker groove, for terminal block width: 8.2 mm, lettering field size: 7.6 x 10.5 mm, Number of individual labels: 42

STMED 6-PE - Ground terminal

3035726

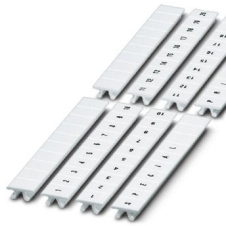
<https://www.phoenixcontact.com/in/products/3035726>



ZB 8,LGS:FORTL.ZAHLEN - Zack marker strip

1052015

<https://www.phoenixcontact.com/in/products/1052015>



Zack marker strip, Strip, white, labeled, can be labeled with: CMS-P1-PLOTTER, printed horizontally: consecutive numbers 1 ... 10, 11 ... 20, etc. up to 91 ... 100, mounting type: snapped, for terminal block width: 8.2 mm, lettering field size: 10. 5 x 8.15 mm, Number of individual labels: 10

ZB 8,QR:FORTL.ZAHLEN - Zack marker strip

1052028

<https://www.phoenixcontact.com/in/products/1052028>



Zack marker strip, Strip, white, labeled, can be labeled with: CMS-P1-PLOTTER, Printed vertically: consecutive numbers 1 ... 10, 11 ... 20, etc. up to 91 ... 100, mounting type: snapped, for terminal block width: 8.2 mm, lettering field size: 10. 5 x 8.15 mm, Number of individual labels: 10

STMED 6-PE - Ground terminal

3035726

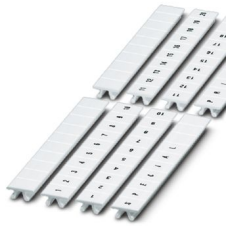
<https://www.phoenixcontact.com/in/products/3035726>



ZB 8,LGS:L1-N,PE - Marker for terminal blocks

1052413

<https://www.phoenixcontact.com/in/products/1052413>



Marker for terminal blocks, Strip, white, labeled, can be labeled with: CMS-P1-PLOTTER, horizontal: L1, L2, L3, N, PE, L1, L2, L3, N, PE, mounting type: snapped, for terminal block width: 8.2 mm, lettering field size: 10.5 x 8.15 mm, Number of individual labels: 10

SZS 1,0X4,0 VDE - Screwdriver

1205066

<https://www.phoenixcontact.com/in/products/1205066>



Screwdriver, slot-headed, VDE insulated, size: 1.0 x 4.0 x 100 mm, 2-component grip, with non-slip grip

STMED 6-PE - Ground terminal

3035726

<https://www.phoenixcontact.com/in/products/3035726>



TS-UT 6-T/SP - Separating plate

3072821

<https://www.phoenixcontact.com/in/products/3072821>

Separating plate, depth: 67.5 mm, width: 1 mm, height: 105.2 mm, color: gray

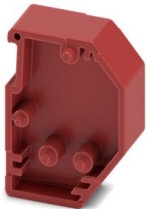


DP-LPS-8 - Spacer plate

3270564

<https://www.phoenixcontact.com/in/products/3270564>

Spacer plate, depth: 24.4 mm, width: 8.2 mm, height: 18.5 mm, number of positions: 1, color: red



Phoenix Contact 2024 © - all rights reserved

<https://www.phoenixcontact.com>

PHOENIX CONTACT (I) Pvt. Ltd.

A-58/2, Okhla Industrial Area, Phase - II, New Delhi-110 020

+91.1275.71420

info@phoenixcontact.co.in