

AB-SK/E - Support bracket



3026476

<https://www.phoenixcontact.com/in/products/3026476>

Please be informed that the data shown in this PDF document is generated from our Online Catalog. Please find the complete data in the user documentation. Our General Terms of Use for Downloads are valid.

Support bracket, Bracket for busbars, set every 20 cm, length: 10 mm, width: 56 mm, height: 20 mm, diameter: 4.5 mm, number of positions: 2, color: silver



Your advantages

- Version for NS 35 DIN rail mounting
- T-shaped supports for space-saving direct mounting and free positioning on the mounting plate
- Suitable for SK 5 to SK 14, SKS 8, and SKS 14 shield connection clamps

Commercial Data

Item number	3026476
Packing unit	10 pc
Minimum order quantity	10 pc
Sales Key	BE7
Product Key	BE7113
Catalog Page	Page 576 (C-3-2019)
GTIN	4017918168001
Weight per Piece (including packing)	18.77 g
Weight per Piece (excluding packing)	17.237 g
Customs tariff number	76169990
Country of origin	PL

AB-SK/E - Support bracket

3026476

<https://www.phoenixcontact.com/in/products/3026476>



Technical Data

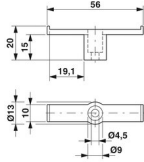
Product properties

Product type	Support
Number of positions	2

Electrical properties

Nominal current I_N	0 A
-----------------------	-----

Dimensions

Dimensional drawing	
Width	56 mm
Height	20 mm
Length	10 mm
Diameter	4.5 mm

Material specifications

Color	silver
Material	Aluminum
Insulating material	PA

Mounting

Mounting type	Direct mounting
---------------	-----------------

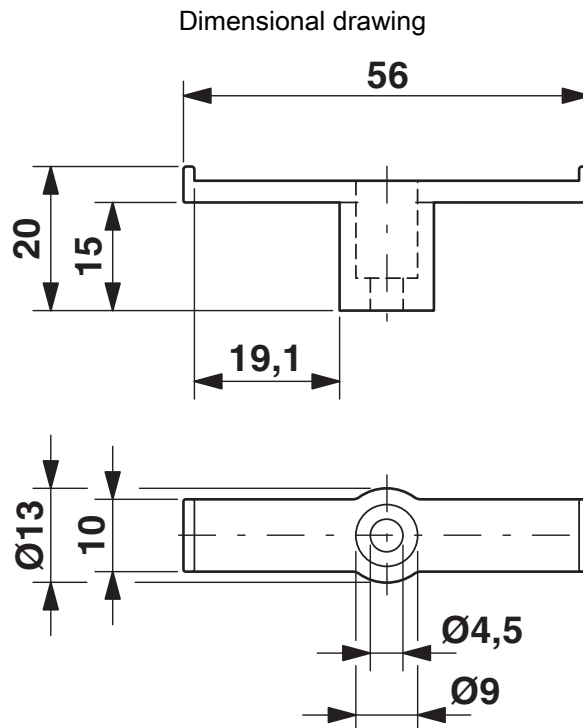
AB-SK/E - Support bracket

3026476

<https://www.phoenixcontact.com/in/products/3026476>



Drawings



AB-SK/E - Support bracket

3026476

<https://www.phoenixcontact.com/in/products/3026476>



Classifications

ECLASS

ECLASS-11.0	27400607
ECLASS-12.0	27400607
ECLASS-13.0	27400607

ETIM

ETIM 8.0	EC001166
----------	----------

UNSPSC

UNSPSC 21.0	39121700
-------------	----------

AB-SK/E - Support bracket

3026476

<https://www.phoenixcontact.com/in/products/3026476>



Environmental Product Compliance

China RoHS	Environmentally friendly use period: unlimited = EFUP-e
	No hazardous substances above threshold values

Phoenix Contact 2023 © - all rights reserved
<https://www.phoenixcontact.com>

PHOENIX CONTACT (I) Pvt. Ltd.
A-58/2, Okhla Industrial Area, Phase - II, New Delhi-110 020

+91.1275.71420
info@phoenixcontact.co.in