

# SK 35 - Shield connection clamp

3026463

<https://www.phoenixcontact.com/in/products/3026463>

Please be informed that the data shown in this PDF document is generated from our online catalog. Please find the complete data in the user documentation. Our general terms of use for downloads are valid.

Shield connection clamp, for shield on busbars, contact resistance < 1 mΩ



## Your advantages

- Easy handling
- Spring-loaded, large-surface pressure plate
- Suitable for direct and busbar mounting
- Knurled screw
- As components, it is not possible to certify shield connections in accordance with the requirements of the directive and standards for electrical equipment in potentially explosive areas. As such, shield connection clamps can be used in the Ex area even without an appropriate approval or marking.

## Commercial data

Item number	3026463
Packing unit	10 pc
Minimum order quantity	10 pc
Sales key	BE7
Product key	BE7512
Catalog page	Page 568 (C-3-2019)
GTIN	4017918167998
Weight per piece (including packing)	63.6 g
Weight per piece (excluding packing)	63.3 g
Customs tariff number	85369010
Country of origin	DE

# SK 35 - Shield connection clamp

3026463

<https://www.phoenixcontact.com/in/products/3026463>

## Technical data

### Product properties

Product type	Shield connection clamp
Pitch	40 mm
Number of connections	1
Number of rows	1

### Data management status

Article revision	04
------------------	----

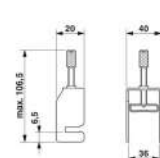
### Electrical properties

Maximum power dissipation for nominal condition	0 W
Contact resistance	< 0.001 $\Omega$

### Connection data

Grounding foot	Yes
Screw thread	M5
Tightening torque	1.5 ... 1.8 Nm

### Dimensions

Dimensional drawing	
Width	40 mm
Height	20 mm
Depth	160.5 mm
Pitch	40 mm

### External dimensions

Outside diameter	20 mm ... 35 mm
------------------	-----------------

### Material specifications

Color	silver
Material	Steel

### Cable/line

External cable diameter	20 mm ... 35 mm
-------------------------	-----------------

### Mechanical properties

#### Mechanical data

Open side panel	No
-----------------	----

# SK 35 - Shield connection clamp

3026463

<https://www.phoenixcontact.com/in/products/3026463>



## Mounting

Mounting type

Neutral busbar

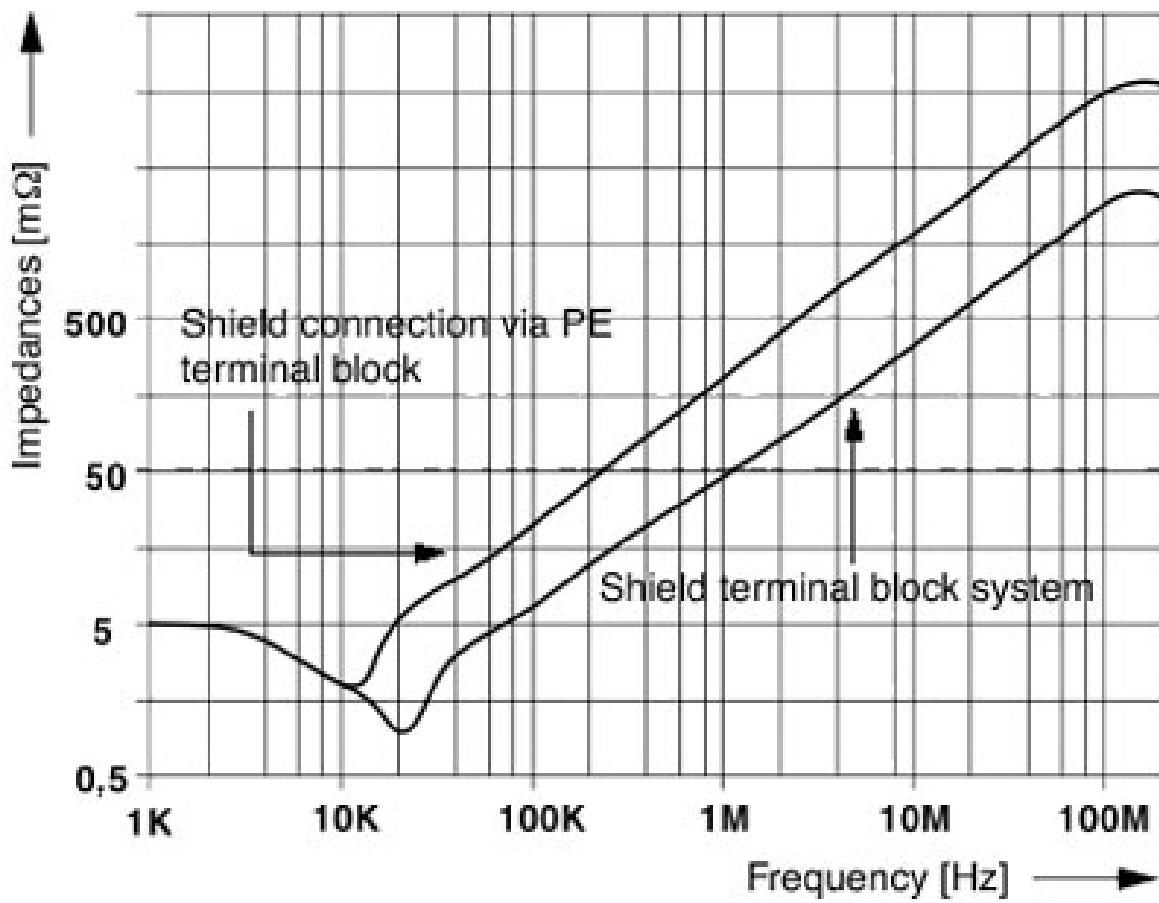
# SK 35 - Shield connection clamp

3026463

<https://www.phoenixcontact.com/in/products/3026463>

## Drawings

### Diagram



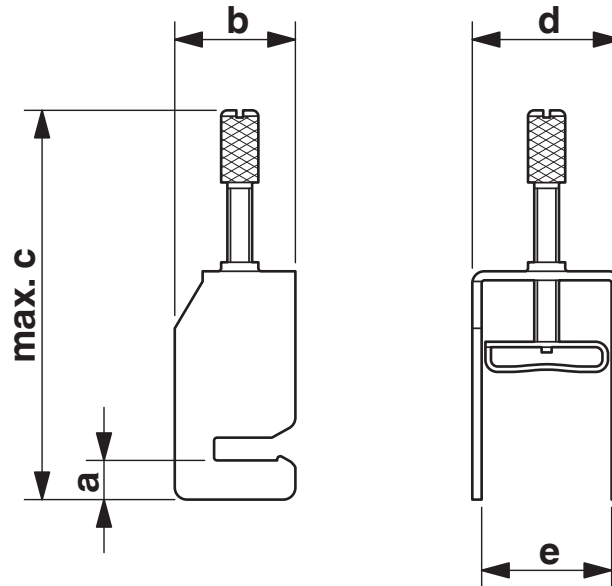
# SK 35 - Shield connection clamp

3026463

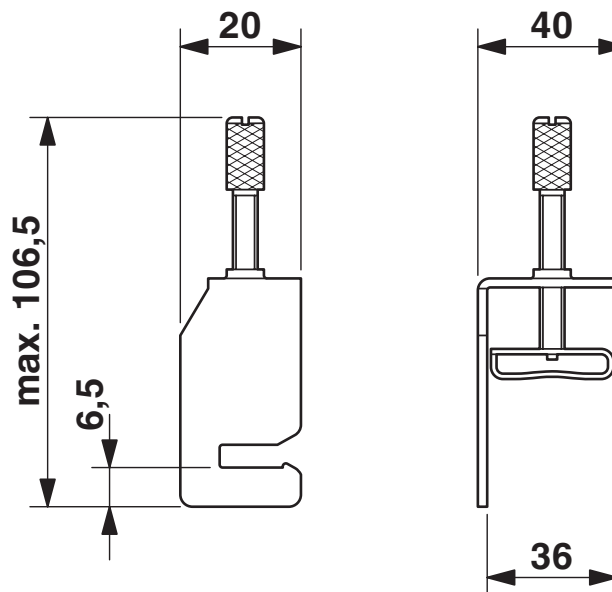
<https://www.phoenixcontact.com/in/products/3026463>



Dimensional drawing



Dimensional drawing



# SK 35 - Shield connection clamp



3026463

<https://www.phoenixcontact.com/in/products/3026463>

## Classifications

### ECLASS

ECLASS-11.0	27141150
ECLASS-12.0	27141150
ECLASS-13.0	27250309

### ETIM

ETIM 9.0	EC002020
----------	----------

### UNSPSC

UNSPSC 21.0	39121400
-------------	----------

# SK 35 - Shield connection clamp



3026463

<https://www.phoenixcontact.com/in/products/3026463>

## Environmental product compliance

### EU RoHS

Fulfills EU RoHS substance requirements	Yes, No exemptions
---	--------------------

### China RoHS

Environment friendly use period (EFUP)	EFUP-E
	No hazardous substances above the limits

### EU REACH SVHC

REACH candidate substance (CAS No.)	No substance above 0.1 wt%
-------------------------------------	----------------------------

# SK 35 - Shield connection clamp

3026463

<https://www.phoenixcontact.com/in/products/3026463>



## Accessories

**i** Note: Applying some accessories below might limit this product.

### NLS-CU 3/10 SN 1000MM - Neutral busbar

0402174

<https://www.phoenixcontact.com/in/products/0402174>



Neutral busbar, DIN VDE 0611-4: 1991-02, color: silver

**i** Max. current carrying capacity: 140 A

### AK 4 - Connection terminal block

0404017

<https://www.phoenixcontact.com/in/products/0404017>



Connection terminal block, connection method: Screw connection, Rated cross section: 4 mm<sup>2</sup>, cross section: 0.5 mm<sup>2</sup> - 6 mm<sup>2</sup>, mounting: Neutral busbar, color: silver



## SK 35 - Shield connection clamp

3026463

<https://www.phoenixcontact.com/in/products/3026463>



## AKG 4 GNYE - Connection terminal block

0421029

<https://www.phoenixcontact.com/in/products/0421029>



Connection terminal block, nom. voltage: 300 V, nominal current: 41 A, connection method: Screw connection, Rated cross section: 4 mm<sup>2</sup>, cross section: 0.5 mm<sup>2</sup> - 6 mm<sup>2</sup>, mounting: Neutral busbar, color: green-yellow

---

## AKG 4 BK - Connection terminal block

0421032

<https://www.phoenixcontact.com/in/products/0421032>



Connection terminal block, nom. voltage: 300 V, nominal current: 41 A, connection method: Screw connection, Rated cross section: 4 mm<sup>2</sup>, cross section: 0.5 mm<sup>2</sup> - 6 mm<sup>2</sup>, mounting: Neutral busbar, color: black

# SK 35 - Shield connection clamp

3026463

<https://www.phoenixcontact.com/in/products/3026463>

## AB-SK TOP - Support bracket

3062090

<https://www.phoenixcontact.com/in/products/3062090>

Support bracket, Bracket for busbars, set every 20 cm, width: 5.2 mm, height: 102.4 mm, number of positions: 1, color: gray, mounting type: DIN rail mounting



---

## AB-SK TOP INSULATED - Support bracket

3062074

<https://www.phoenixcontact.com/in/products/3062074>

Support bracket, Bracket for busbars, set every 20 cm, width: 5.2 mm, height: 102.4 mm, number of positions: 2, color: gray, mounting type: DIN rail mounting



## SK 35 - Shield connection clamp

3026463

<https://www.phoenixcontact.com/in/products/3026463>



## AB-SK - Support bracket

3025341

<https://www.phoenixcontact.com/in/products/3025341>

Support bracket for busbars



---

## AB-SK 65 - Support bracket

3026489

<https://www.phoenixcontact.com/in/products/3026489>

Support bracket, Bracket for busbars, set every 20 cm, width: 6.2 mm, height: 95.5 mm, number of positions: 1, color: gray, mounting type: DIN rail mounting



## SK 35 - Shield connection clamp

3026463

<https://www.phoenixcontact.com/in/products/3026463>



## AB-SKS 60 - Support bracket

3240223

<https://www.phoenixcontact.com/in/products/3240223>

Support bracket for busbars



---

## AB-SK-D TOP - Support bracket

3062100

<https://www.phoenixcontact.com/in/products/3062100>

Support bracket, Bracket for busbars, set every 20 cm, width: 5.2 mm, height: 155.8 mm, number of positions: 2, color: gray, mounting type: DIN rail mounting



# SK 35 - Shield connection clamp

3026463

<https://www.phoenixcontact.com/in/products/3026463>



## AB-SK-D TOP INSULATED - Support bracket

3062087

<https://www.phoenixcontact.com/in/products/3062087>

Support bracket, Bracket for busbars, set every 20 cm, width: 5.2 mm, height: 155.8 mm, number of positions: 2, color: gray, mounting type: DIN rail mounting



---

## AB-SK 65-D - Support bracket

3026900

<https://www.phoenixcontact.com/in/products/3026900>

Support bracket, Bracket for busbars, set every 20 cm, width: 8.2 mm, height: 150 mm, number of positions: 2, color: gray, mounting type: DIN rail mounting



## SK 35 - Shield connection clamp

3026463

<https://www.phoenixcontact.com/in/products/3026463>



## AB-SK 65-D INSULATED - Support bracket

3040889

<https://www.phoenixcontact.com/in/products/3040889>

Support bracket, Bracket for busbars, set every 20 cm, width: 8.2 mm, height: 150 mm, number of positions: 2, color: gray, mounting type: DIN rail mounting



---

## AB/SS - Support bracket

0404428

<https://www.phoenixcontact.com/in/products/0404428>

Support bracket made from insulation material, with retaining screw, can be used with either 3 x 10 mm or 6 x 6 mm busbar, color: gray



## SK 35 - Shield connection clamp

3026463

<https://www.phoenixcontact.com/in/products/3026463>



## AB/SS-M - Support bracket

3025888

<https://www.phoenixcontact.com/in/products/3025888>



Support bracket made from insulation material, with retaining screw, can be used for 3 x 10 mm busbar, color: gray

---

## AB/SKS - Support bracket

3240224

<https://www.phoenixcontact.com/in/products/3240224>



Support bracket for busbars

# SK 35 - Shield connection clamp

3026463

<https://www.phoenixcontact.com/in/products/3026463>



## AB-SK/E - Support bracket

3026476

<https://www.phoenixcontact.com/in/products/3026476>

Support bracket, Bracket for busbars, set every 20 cm, depth: 20 mm, width: 56 mm, height: 10 mm, diameter: 4.5 mm, number of positions: 2, color: silver, mounting type: Direct mounting



## AB-SK/E-NS 35 - Support bracket

3213111

<https://www.phoenixcontact.com/in/products/3213111>

Support bracket, Bracket for busbars, set every 20 cm, depth: 33.7 mm, width: 56 mm, height: 50 mm, number of positions: 2, color: silver, mounting type: DIN rail mounting



Phoenix Contact 2024 © - all rights reserved  
<https://www.phoenixcontact.com>

PHOENIX CONTACT (I) Pvt. Ltd.  
A-58/2, Okhla Industrial Area, Phase - II, New Delhi-110 020

+91.1275.71420  
[info@phoenixcontact.co.in](mailto:info@phoenixcontact.co.in)