

# UKH 50 BU - High-current terminal block



3009105

<https://www.phoenixcontact.com/in/products/3009105>

Please be informed that the data shown in this PDF document is generated from our Online Catalog. Please find the complete data in the user documentation. Our General Terms of Use for Downloads are valid.



High-current terminal block, nom. voltage: 1000 V, nominal current: 150 A, number of connections: 2, number of positions: 1, connection method: Screw connection, cross section: 16 mm<sup>2</sup> - 70 mm<sup>2</sup>, mounting type: NS 35/7,5, NS 35/15, NS 32, NS 35/15-2,3, color: blue

## Your advantages

- Reliable cable connection is ensured by three-point centering of the conductor in the prismatic sleeve base
- Low contact resistance of the contact surface due to ribbing
- Screw locking by means of spring-loaded elements in the clamping part

## Commercial Data

Item number	3009105
Packing unit	10 pc
Minimum order quantity	1 pc
Sales Key	BE1
Product Key	BE1311
Catalog Page	Page 189 (C-1-2019)
GTIN	4017918091637
Weight per Piece (including packing)	120.32 g
Weight per Piece (excluding packing)	115.1 g
Customs tariff number	85369010
Country of origin	IN

# UKH 50 BU - High-current terminal block



3009105

<https://www.phoenixcontact.com/in/products/3009105>

## Technical Data

### Notes

#### General

Note	For a reliable contact of multi stranded conductors it is recommended to untwist multi stranded conductors.
------	---

### Product properties

Product type	High current terminal block
Number of positions	1
Number of connections	2
Number of rows	1
Potentials	1

#### Insulation characteristics

Overvoltage category	III
Degree of pollution	3

### Electrical properties

Rated surge voltage	8 kV
Maximum power dissipation for nominal condition	4.73 W

### Connection data

Number of connections per level	2
Nominal cross section	50 mm <sup>2</sup>
Rated cross section AWG	1/0

#### Level 1 above 1 below 1

Screw thread	M6
Tightening torque	6 ... 8 Nm
Stripping length	24 mm
Internal cylindrical gage	B10
Connection in acc. with standard	IEC 60947-7-1
Conductor cross section rigid	16 mm <sup>2</sup> ... 70 mm <sup>2</sup>
Cross section AWG	6 ... 2/0 (converted acc. to IEC)
Conductor cross section flexible	25 mm <sup>2</sup> ... 50 mm <sup>2</sup>
Conductor cross section, flexible [AWG]	3 ... 1/0 (converted acc. to IEC)
Conductor cross-section flexible (ferrule without plastic sleeve)	25 mm <sup>2</sup> ... 50 mm <sup>2</sup>
Flexible conductor cross section (ferrule with plastic sleeve)	25 mm <sup>2</sup> ... 50 mm <sup>2</sup>
2 conductors with same cross section, solid	10 mm <sup>2</sup> ... 16 mm <sup>2</sup>
2 conductors with same cross section, flexible	10 mm <sup>2</sup> ... 16 mm <sup>2</sup>
2 conductors with same cross section, flexible, with ferrule without plastic sleeve	10 mm <sup>2</sup> ... 16 mm <sup>2</sup>
Nominal current	150 A

# UKH 50 BU - High-current terminal block



3009105

<https://www.phoenixcontact.com/in/products/3009105>

Maximum load current	150 A (with 50 mm <sup>2</sup> conductor cross section)
Nominal voltage	1000 V
Note	Note: Product releases, connection cross sections and notes on connecting aluminum cables can be found in the download area.

## Ex data

### Rated data (ATEX/IECEX)

Identification	□ II 2 GD Ex eb IIC Gb
Operating temperature range	-60 °C ... 110 °C
Ex-certified accessories	1205082 SZS 1,2X8,0 VDE 1201659 E/AL-NS 32 1201662 E/AL-NS 35
List of bridges	Fixed bridge / FBI 2-20-EX / 0201113 Fixed bridge / FBI 3-20-EX / 0201812
Bridge data	130.5 A / 50 mm <sup>2</sup>
Ex temperature increase	40 K (133 A / 50 mm <sup>2</sup> )
Rated voltage	690 V
for bridging with bridge	690 V
Rated insulation voltage	630 V
output	(Permanent)

### Ex level General

Rated current	133 A
Maximum load current	133 A
Contact resistance	0.1 mΩ

### Ex connection data General

Torque range	6 Nm ... 8 Nm
Nominal cross section	50 mm <sup>2</sup>
Rated cross section AWG	1/0
Connection capacity rigid	16 mm <sup>2</sup> ... 50 mm <sup>2</sup>
Connection capacity AWG	6 ... 1/0
Connection capacity flexible	25 mm <sup>2</sup> ... 50 mm <sup>2</sup>
Connection capacity AWG	4 ... 1/0
2 conductors with same cross section, solid	10 mm <sup>2</sup> ... 16 mm <sup>2</sup>
2 conductors with the same cross-section AWG rigid	8 ... 6
2 conductors with same cross section, stranded	10 mm <sup>2</sup> ... 16 mm <sup>2</sup>
2 conductors with the same cross-section AWG flexible	8 ... 6

## Dimensions

Dimensional drawing	
---------------------	--

# UKH 50 BU - High-current terminal block



3009105

<https://www.phoenixcontact.com/in/products/3009105>

Width	20 mm
Height	75.8 mm
Height NS 35/15	83.5 mm
Height	3.287 "
Height NS 32	81 mm
Length	70.5 mm

## Material specifications

Color	blue
Flammability rating according to UL 94	V0
Insulating material group	I
Insulating material	PA
Static insulating material application in cold	-60 °C
Temperature index of insulation material (DIN EN 60216-1 (VDE 0304-21))	130 °C
Relative insulation material temperature index (Elec., UL 746 B)	130 °C
Fire protection for rail vehicles (DIN EN 45545-2) R22	HL 1 - HL 3
Fire protection for rail vehicles (DIN EN 45545-2) R23	HL 1 - HL 3
Fire protection for rail vehicles (DIN EN 45545-2) R24	HL 1 - HL 3
Fire protection for rail vehicles (DIN EN 45545-2) R26	HL 1 - HL 3
Calorimetric heat release NFPA 130 (ASTM E 1354)	28 MJ/kg
Surface flammability NFPA 130 (ASTM E 162)	passed
Specific optical density of smoke NFPA 130 (ASTM E 662)	passed
Smoke gas toxicity NFPA 130 (SMP 800C)	passed

## Electrical tests

### Surge voltage test

Test voltage setpoint	9.8 kV
Result	Test passed
Short-time withstand current 50 mm <sup>2</sup>	6 kA
Result	Test passed

### Power-frequency withstand voltage

Test voltage setpoint	2.2 kV
Result	Test passed

## Mechanical properties

### Mechanical data

Open side panel	No
-----------------	----

## Mechanical tests

### Mechanical strength

Result	Test passed
--------	-------------

# UKH 50 BU - High-current terminal block



3009105

<https://www.phoenixcontact.com/in/products/3009105>

## Attachment on the carrier

DIN rail/fixing support	NS 32/NS 35
Test force setpoint	10 N
Result	Test passed

## Test for conductor damage and slackening

Rotation speed	10 rpm
Revolutions	135
Conductor cross section/weight	16 mm <sup>2</sup> / 2.9 kg
	25 mm <sup>2</sup> / 4.5 kg
	50 mm <sup>2</sup> / 9.5 kg
	70 mm <sup>2</sup> /10.4 kg
Result	Test passed

## Environmental and real-life conditions

### Needle-flame test

Time of exposure	30 s
Result	Test passed

### Ambient conditions

Ambient temperature (operation)	-60 °C ... 105 °C (max. short-term operating temperature RTI Elec.)
Ambient temperature (storage/transport)	-25 °C ... 60 °C (for a short time, not exceeding 24 h, -60 °C to +70 °C)
Ambient temperature (assembly)	-5 °C ... 70 °C
Ambient temperature (actuation)	-5 °C ... 70 °C
Permissible humidity (storage/transport)	30 % ... 70 %

## Standards and regulations

Connection in acc. with standard	IEC 60947-7-1
----------------------------------	---------------

## Mounting

Mounting type	NS 35/7,5
	NS 35/15
	NS 32
	NS 35/15-2,3

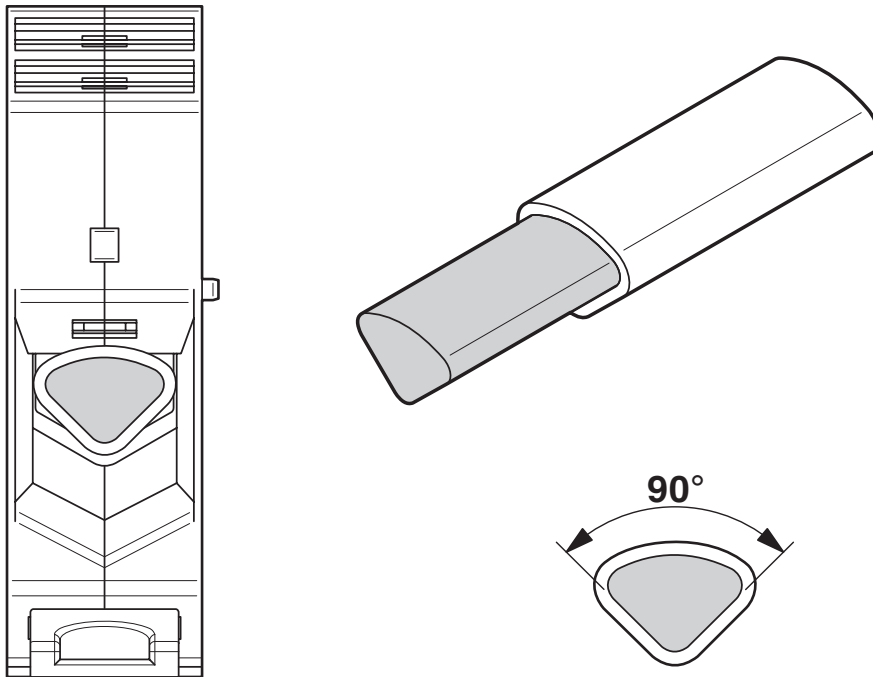
# UKH 50 BU - High-current terminal block

3009105

<https://www.phoenixcontact.com/in/products/3009105>

## Drawings

Schematic diagram



Connecting aluminum cables. Further notes can be found in the download area

Circuit diagram



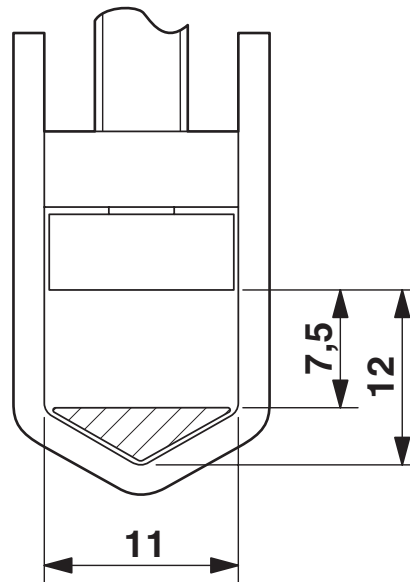
# UKH 50 BU - High-current terminal block

3009105

<https://www.phoenixcontact.com/in/products/3009105>



Dimensional drawing




# UKH 50 BU - High-current terminal block




3009105


<https://www.phoenixcontact.com/in/products/3009105>

## Approvals


 <b>CSA</b> Approval ID: 13631				
	Nominal Voltage $U_N$	Nominal Current $I_N$	Cross Section AWG	Cross Section $mm^2$
Use group B	600 V	150 A	6 - 1/0	-
Use group C	600 V	150 A	6 - 1/0	-


 <b>IECEE CB Scheme</b> Approval ID: DE1-62936				
	Nominal Voltage $U_N$	Nominal Current $I_N$	Cross Section AWG	Cross Section $mm^2$
	1000 V	150 A	-	- 50

 <b>EAC</b> Approval ID: RU C-DE.AI30.B.01102				
---	--	--	--	--

 <b>cULus Recognized</b> Approval ID: E60425				
	Nominal Voltage $U_N$	Nominal Current $I_N$	Cross Section AWG	Cross Section $mm^2$
Use group B	600 V	150 A	6 - 1/0	-
Multi-conductor connection	600 V	150 A	8 - 6	-
Use group C	600 V	150 A	6 - 1/0	-
Multi-conductor connection	600 V	150 A	8 - 6	-

 <b>LR</b> Approval ID: LR2041789TA-02				
--	--	--	--	--

 <b>EAC</b> Approval ID: RU C-DE.BL08.B.00534				
---	--	--	--	--

 <b>VDE Zeichengenehmigung</b> Approval ID: 40036368				
	Nominal Voltage $U_N$	Nominal Current $I_N$	Cross Section AWG	Cross Section $mm^2$
	1000 V	150 A	-	- 50



# UKH 50 BU - High-current terminal block



3009105

<https://www.phoenixcontact.com/in/products/3009105>



**LR**

Approval ID: LR2004271TA



**ATEX**

Approval ID: KEMA98ATEX1786U



**cUL Recognized**

Approval ID: E192998

Nominal Voltage $U_N$	Nominal Current $I_N$	Cross Section AWG	Cross Section $\text{mm}^2$
600 V	150 A	6 - 1/0	-



**EAC Ex**

Approval ID: RU C-DE.HA91.B.00066



**IECEX**

Approval ID: IECEX KEM 06.0029U



**UL Recognized**

Approval ID: E192998

Nominal Voltage $U_N$	Nominal Current $I_N$	Cross Section AWG	Cross Section $\text{mm}^2$
600 V	150 A	6 - 1/0	-



**CCC**

Approval ID: 2020322313000623



**NEPSI**

Approval ID: GYJ20.1195U



**UKCA-EX**

Approval ID: DEKRA 21UKEX0307U

# UKH 50 BU - High-current terminal block



3009105

<https://www.phoenixcontact.com/in/products/3009105>

## Classifications

### ECLASS

ECLASS-11.0

27141120

### ETIM

ETIM 8.0

EC000897

### UNSPSC

UNSPSC 21.0

39121400

# UKH 50 BU - High-current terminal block



3009105

<https://www.phoenixcontact.com/in/products/3009105>

## Environmental Product Compliance

China RoHS	Environmentally friendly use period: unlimited = EFUP-e
	No hazardous substances above threshold values

# UKH 50 BU - High-current terminal block

3009105

<https://www.phoenixcontact.com/in/products/3009105>

## Accessories

 Note: Applying some accessories below might limit this product.


### FBI 2-20 - Fixed bridge

0201346

<https://www.phoenixcontact.com/in/products/0201346>



Fixed bridge, pitch: 20 mm, number of positions: 2, color: silver

 Max. current carrying capacity: 150 A

---


### FBI 3-20 - Fixed bridge

0201317

<https://www.phoenixcontact.com/in/products/0201317>



Fixed bridge, pitch: 20 mm, number of positions: 3, color: silver

 Max. current carrying capacity: 150 A

# UKH 50 BU - High-current terminal block

3009105

<https://www.phoenixcontact.com/in/products/3009105>



## FBI 2-20-EX - Fixed bridge

0201113

<https://www.phoenixcontact.com/in/products/0201113>



Fixed bridge, number of positions: 2, color: silver

 Max. current carrying capacity: 130 A

---

## FBI 3-20-EX - Fixed bridge

0201812

<https://www.phoenixcontact.com/in/products/0201812>



Fixed bridge, number of positions: 3, color: silver

 Max. current carrying capacity: 130 A

# UKH 50 BU - High-current terminal block

3009105

<https://www.phoenixcontact.com/in/products/3009105>



## UKH 50 EP - Insertion profile

3009228

<https://www.phoenixcontact.com/in/products/3009228>

Insertion profile, color: silver



---

## AGK 10-UKH 50 - Pick-off terminal

3001763

<https://www.phoenixcontact.com/in/products/3001763>

Pick-off terminal, nom. voltage: 1000 V, nominal current: 57 A, number of connections: 1, connection method: Screw connection, Rated cross section: 10 mm<sup>2</sup>, cross section: 0.5 mm<sup>2</sup> - 10 mm<sup>2</sup>, color: gray



# UKH 50 BU - High-current terminal block

3009105

<https://www.phoenixcontact.com/in/products/3009105>



## SZS 1,2X8,0 VDE - Screwdriver

1205082

<https://www.phoenixcontact.com/in/products/1205082>



Screwdriver, slot-headed, VDE insulated, size: 1.2 x 8.0 x 175 mm, 2-component grip, with non-slip grip

---

## X-PEN 0,35 - Marker pen

0811228

<https://www.phoenixcontact.com/in/products/0811228>



Marker pen without ink cartridge, for manual labeling of markers, labeling extremely wipe-proof, line thickness 0.35 mm

# UKH 50 BU - High-current terminal block

3009105

<https://www.phoenixcontact.com/in/products/3009105>

## WS-2K - Warning label

1004513

<https://www.phoenixcontact.com/in/products/1004513>

Adhesive warning plate, self-adhesive, black print: lightning flash with mixed version - "Vorsicht Spannung - Attention Danger" size of label: 32 x 26 mm



---

## WS-4K - Warning label

1004584

<https://www.phoenixcontact.com/in/products/1004584>

Adhesive warning plate, self-adhesive, black print: lightning flash with mixed version - "Vorsicht Spannung - Attention Danger" size of label: 13 x 23.5 mm





# UKH 50 BU - High-current terminal block

3009105

<https://www.phoenixcontact.com/in/products/3009105>



## NS 35/ 7,5 PERF 2000MM - DIN rail perforated

0801733

<https://www.phoenixcontact.com/in/products/0801733>



DIN rail perforated, acc. to EN 60715, material: Steel, galvanized, passivated with a thick layer, Standard profile, color: silver, Pack of 25 (50 m)

---

## NS 35/ 7,5 UNPERF 2000MM - DIN rail, unperforated

0801681

<https://www.phoenixcontact.com/in/products/0801681>



DIN rail, unperforated, acc. to EN 60715, material: Steel, galvanized, passivated with a thick layer, Standard profile, color: silver, Pack of 25 (50 m)

# UKH 50 BU - High-current terminal block

3009105

<https://www.phoenixcontact.com/in/products/3009105>



## NS 35/ 7,5 WH PERF 2000MM - DIN rail perforated

1204119

<https://www.phoenixcontact.com/in/products/1204119>



DIN rail perforated, acc. to EN 60715, material: Steel, Galvanized, white passivated, Standard profile, color: silver, Pack of 25 (50 m)

---

## NS 35/ 7,5 WH UNPERF 2000MM-VPE 10 - DIN rail, unperforated

1204122

<https://www.phoenixcontact.com/in/products/1204122>



DIN rail, unperforated, acc. to EN 60715, material: Steel, Galvanized, white passivated, Standard profile, color: silver, Pack of 10 (20 m)

# UKH 50 BU - High-current terminal block

3009105

<https://www.phoenixcontact.com/in/products/3009105>



## NS 35/ 7,5 AL UNPERF 2000MM - DIN rail, unperforated

0801704

<https://www.phoenixcontact.com/in/products/0801704>



DIN rail, unperforated, acc. to EN 60715, material: Aluminum, uncoated, Standard profile, color: silver, Pack of 25 (50 m)

---

## NS 35/ 7,5 ZN PERF 2000MM - DIN rail perforated

1206421

<https://www.phoenixcontact.com/in/products/1206421>



DIN rail perforated, acc. to EN 60715, material: Steel, galvanized, Standard profile, color: silver, Pack of 25 (50 m)

# UKH 50 BU - High-current terminal block

3009105

<https://www.phoenixcontact.com/in/products/3009105>



## NS 35/ 7,5 ZN UNPERF 2000MM - DIN rail, unperforated

1206434

<https://www.phoenixcontact.com/in/products/1206434>



DIN rail, unperforated, acc. to EN 60715, material: Steel, galvanized, Standard profile, color: silver, Pack of 25 (50 m)

---

## NS 35/ 7,5 CU UNPERF 2000MM-VPE 10 - DIN rail, unperforated

0801762

<https://www.phoenixcontact.com/in/products/0801762>



DIN rail, unperforated, acc. to EN 60715, material: Copper, uncoated, Standard profile, color: copper-colored, Pack of 10 (20 m)

# UKH 50 BU - High-current terminal block

3009105

<https://www.phoenixcontact.com/in/products/3009105>



## NS 35/ 7,5 CAP - End cap

1206560

<https://www.phoenixcontact.com/in/products/1206560>

DIN rail end piece, for DIN rail NS 35/7.5



---

## NS 35/15-2,3 UNPERF 2000MM-VPE 10 - DIN rail, unperforated

1201798

<https://www.phoenixcontact.com/in/products/1201798>



DIN rail, unperforated, acc. to EN 60715, material: Steel, galvanized, passivated with a thick layer, Standard profile 2.3 mm, color: silver, Pack of 10 (20 m)

# UKH 50 BU - High-current terminal block

3009105

<https://www.phoenixcontact.com/in/products/3009105>



## NS 32 PERF 2000MM-VPE 10 - DIN rail perforated

1201002

<https://www.phoenixcontact.com/in/products/1201002>



DIN rail perforated, acc. to EN 60715, material: Steel, galvanized, passivated with a thick layer, G profile, color: silver, Pack of 10 (20 m)

---

## NS 32 UNPERF 2000MM-VPE 10 - DIN rail, unperforated

1201015

<https://www.phoenixcontact.com/in/products/1201015>



DIN rail, unperforated, acc. to EN 60715, material: Steel, galvanized, passivated with a thick layer, G profile, color: silver, Pack of 10 (20 m)

# UKH 50 BU - High-current terminal block

3009105

<https://www.phoenixcontact.com/in/products/3009105>



## NS 35/15 PERF 2000MM - DIN rail perforated

1201730

<https://www.phoenixcontact.com/in/products/1201730>



DIN rail perforated, similar to EN 60715, material: Steel, galvanized, passivated with a thick layer, Standard profile, color: silver, Pack of 25 (50 m)

---

## NS 35/15 UNPERF 2000MM - DIN rail, unperforated

1201714

<https://www.phoenixcontact.com/in/products/1201714>



DIN rail, unperforated, similar to EN 60715, material: Steel, galvanized, passivated with a thick layer, Standard profile, color: silver, Pack of 25 (50 m)

# UKH 50 BU - High-current terminal block

3009105

<https://www.phoenixcontact.com/in/products/3009105>



## NS 35/15 WH PERF 2000MM - DIN rail perforated

0806602

<https://www.phoenixcontact.com/in/products/0806602>



DIN rail perforated, similar to EN 60715, material: Steel, Galvanized, white passivated, Standard profile, color: white, Pack of 25 (50 m)

---

## NS 35/15 WH UNPERF 2000MM-VPE 10 - DIN rail, unperforated

1204135

<https://www.phoenixcontact.com/in/products/1204135>



DIN rail, unperforated, similar to EN 60715, material: Steel, Galvanized, white passivated, Standard profile, color: silver, Pack of 10 (20 m)



# UKH 50 BU - High-current terminal block

3009105

<https://www.phoenixcontact.com/in/products/3009105>



## NS 35/15 AL UNPERF 2000MM - DIN rail, unperforated

1201756

<https://www.phoenixcontact.com/in/products/1201756>



DIN rail, unperforated, similar to EN 60715, material: Aluminum, uncoated, Standard profile, color: silver

---

## NS 35/15 ZN PERF 2000MM - DIN rail perforated

1206599

<https://www.phoenixcontact.com/in/products/1206599>



DIN rail perforated, similar to EN 60715, material: Steel, galvanized, Standard profile, color: silver, Pack of 25 (50 m)

# UKH 50 BU - High-current terminal block

3009105

<https://www.phoenixcontact.com/in/products/3009105>



## NS 35/15 ZN UNPERF 2000MM - DIN rail, unperforated

1206586

<https://www.phoenixcontact.com/in/products/1206586>



DIN rail, unperforated, similar to EN 60715, material: Steel, galvanized, Standard profile, color: silver, Pack of 25 (50 m)

---

## NS 35/15 CU UNPERF 2000MM-VPE 10 - DIN rail, unperforated

1201895

<https://www.phoenixcontact.com/in/products/1201895>



DIN rail, unperforated, similar to EN 60715, material: Copper, uncoated, Standard profile, color: copper-colored, Pack of 10 (20 m)

# UKH 50 BU - High-current terminal block

3009105

<https://www.phoenixcontact.com/in/products/3009105>



## NS 35/15 CAP - End cap

1206573

<https://www.phoenixcontact.com/in/products/1206573>

DIN rail end piece, for DIN rail NS 35/15



---

## ZB 10:UNBEDRUCKT - Zack marker strip

1053001

<https://www.phoenixcontact.com/in/products/1053001>



Zack marker strip, Strip, white, unlabeled, can be labeled with: PLOTMARK, CMS-P1-PLOTTER, mounting type: snapped, for terminal block width: 10.2 mm, lettering field size: 10.5 x 10.15 mm, Number of individual labels: 10

# UKH 50 BU - High-current terminal block



3009105

<https://www.phoenixcontact.com/in/products/3009105>

## ZB 10 CUS - Zack marker strip

0824941

<https://www.phoenixcontact.com/in/products/0824941>



Zack marker strip, can be ordered: Strip, white, labeled according to customer specifications, mounting type: snap into tall marker groove, for terminal block width: 10.2 mm, lettering field size: 10,15 x 10,5 mm, Number of individual labels: 10

---

## ZB10,LGS:FORTL.ZAHLEN - Zack marker strip

1053014

<https://www.phoenixcontact.com/in/products/1053014>



Zack marker strip, Strip, white, labeled, can be labeled with: CMS-P1-PLOTTER, printed horizontally: consecutive numbers 1 ... 10, 11 ... 20, etc. up to 91 ... 100, mounting type: snapped, for terminal block width: 10.2 mm, lettering field size: 10,15 x 10,5 mm, Number of individual labels: 10

# UKH 50 BU - High-current terminal block



3009105

<https://www.phoenixcontact.com/in/products/3009105>

## ZB10,QR:FORTL.ZAHLEN - Zack marker strip

1053027

<https://www.phoenixcontact.com/in/products/1053027>



Zack marker strip, Strip, white, labeled, can be labeled with: CMS-P1-PLOTTER, Printed vertically: consecutive numbers 1 ... 10, 11 ... 20, etc. up to 91 ... 100, mounting type: snapped, for terminal block width: 10.2 mm, lettering field size: 10,15 x 10,5 mm, Number of individual labels: 10

---

## ZB10,LGS:L1-N,PE - Marker for terminal blocks

1053412

<https://www.phoenixcontact.com/in/products/1053412>



Marker for terminal blocks, Strip, white, labeled, can be labeled with: CMS-P1-PLOTTER, horizontal: L1, L2, L3, N, PE, L1, L2, L3, N, PE, mounting type: snapped, for terminal block width: 10.2 mm, lettering field size: 10,15 x 10,5 mm, Number of individual labels: 10

# UKH 50 BU - High-current terminal block



3009105

<https://www.phoenixcontact.com/in/products/3009105>

## ZB10,LGS:U-N - Marker for terminal blocks

1053438

<https://www.phoenixcontact.com/in/products/1053438>



Marker for terminal blocks, Strip, white, labeled, can be labeled with: CMS-P1-PLOTTER, horizontal: U, V, W, N, GND, U, V, W, N, GND, mounting type: snapped, for terminal block width: 10.2 mm, lettering field size: 10,15 x 10,5 mm, Number of individual labels: 10

---

## UC-TM 10 - Marker for terminal blocks

0818069

<https://www.phoenixcontact.com/in/products/0818069>



Marker for terminal blocks, Sheet, white, unlabeled, can be labeled with: BLUEMARK ID COLOR, BLUEMARK ID, BLUEMARK CLED, PLOTMARK, CMS-P1-PLOTTER, mounting type: snapped, for terminal block width: 10.2 mm, lettering field size: 9.6 x 10.5 mm, Number of individual labels: 48

# UKH 50 BU - High-current terminal block



3009105

<https://www.phoenixcontact.com/in/products/3009105>

## UC-TM 10 CUS - Marker for terminal blocks

0824605

<https://www.phoenixcontact.com/in/products/0824605>



Marker for terminal blocks, can be ordered: by sheet, white, labeled according to customer specifications, mounting type: snap into tall marker groove, for terminal block width: 10.2 mm, lettering field size: 9.6 x 10.5 mm, Number of individual labels: 48

---

## UCT-TM 10 - Marker for terminal blocks

0829142

<https://www.phoenixcontact.com/in/products/0829142>



Marker for terminal blocks, Sheet, white, unlabeled, can be labeled with: TOPMARK NEO, TOPMARK LASER, BLUEMARK ID COLOR, BLUEMARK ID, BLUEMARK CLED, THERMOMARK PRIME, THERMOMARK CARD 2.0, THERMOMARK CARD, mounting type: snapped, for terminal block width: 10.2 mm, lettering field size: 8.9 x 9.6 mm, Number of individual labels: 36

# UKH 50 BU - High-current terminal block

3009105

<https://www.phoenixcontact.com/in/products/3009105>



## UCT-TM 10 CUS - Marker for terminal blocks

0829623

<https://www.phoenixcontact.com/in/products/0829623>



Marker for terminal blocks, can be ordered: by sheet, white, labeled according to customer specifications, mounting type: snap into tall marker groove, for terminal block width: 10.2 mm, lettering field size: 8.9 x 9.6 mm, Number of individual labels: 36

---

## E/AL-NS 32 - End clamp

1201659

<https://www.phoenixcontact.com/in/products/1201659>



End clamp, for end support of UKH 50 - UKH 240, is pushed onto DIN rail NS 32 and fixed with 2 screws, width: 10 mm, color: Aluminum



# UKH 50 BU - High-current terminal block

3009105

<https://www.phoenixcontact.com/in/products/3009105>



## E/AL-NS 35 - End clamp

1201662

<https://www.phoenixcontact.com/in/products/1201662>



End clamp, for end support of UKH 50 to UKH 240, is pushed onto DIN rail NS 35 and fixed with 2 screws, width: 10 mm, color: aluminum

---

Phoenix Contact 2023 © - all rights reserved

<https://www.phoenixcontact.com>

PHOENIX CONTACT (I) Pvt. Ltd.

A-58/2, Okhla Industrial Area, Phase - II, New Delhi-110 020

+91.1275.71420

[info@phoenixcontact.co.in](mailto:info@phoenixcontact.co.in)