

OPT-24DC/230AC/ 2 - Miniature solid-state relay



2982171

<https://www.phoenixcontact.com/in/products/2982171>

Please be informed that the data shown in this PDF document is generated from our Online Catalog. Please find the complete data in the user documentation. Our General Terms of Use for Downloads are valid.



Plug-in miniature solid-state relay, power solid-state relay, 1 N/O contact, input: 24 V DC, output: 24 - 253 V AC/2 A

Your advantages

- Vibration and shock resistant
- RT III-proof (wash-proof)
- Wear-free and durable
- Can be soldered on PCB
- Zero voltage switch at AC output

Commercial Data

Item number	2982171
Packing unit	10 pc
Minimum order quantity	10 pc
Sales Key	CK6
Product Key	CK61F3
Catalog Page	Page 297 (C-5-2019)
GTIN	4017918996970
Weight per Piece (including packing)	11.84 g
Weight per Piece (excluding packing)	10.33 g
Customs tariff number	85364190
Country of origin	HU

OPT-24DC/230AC/ 2 - Miniature solid-state relay



2982171

<https://www.phoenixcontact.com/in/products/2982171>

Technical Data

Product properties

Product type	Single solid-state relay
Operating mode	100% operating factor

Insulation characteristics

Insulation	Basic insulation
------------	------------------

Insulation characteristics: Standards/regulations

Insulation	Basic insulation
Overvoltage category	III
Pollution degree	2

Electrical properties

Maximum power dissipation for nominal condition	0.17 W
Test voltage (Input/output)	2.5 kV (50 Hz, 1 min., input/output)

Standards/regulations

Rated insulation voltage	250 V AC
--------------------------	----------

Input data

Nominal input voltage U_N	24 V DC
Input voltage range in reference to U_N	0.8 ... 1.2
Input voltage range	19.2 V DC ... 28.8 V DC
Switching threshold "0" signal, voltage	< 8.4 V DC
Switching threshold "1" signal voltage	> 18 V DC
Typical input current at U_N	7 mA
Typical response time	10 ms
Typical turn-off time	10 ms
Protective circuit	Reverse polarity protection; Polarity protection diode
Transmission frequency	10 Hz

Output data

Contact type	1 N/O contact
Design of digital output	electronic
Output nominal voltage	230 V AC
Output voltage range	24 V AC ... 253 V AC
Limiting continuous current	2 A (see derating curve)
Maximum inrush current	30 A (10 ms)
Min. load current	25 mA
Leakage current	typ. 1 mA
Surge current	30 A (10 ms)
Max. load value	4 A ² s (tp = 10 ms, at 25 °C)
Voltage drop at max. limiting continuous current	≤ 1 V

OPT-24DC/230AC/ 2 - Miniature solid-state relay



2982171

<https://www.phoenixcontact.com/in/products/2982171>

Output circuit	2-conductor floating, zero voltage switch
Protective circuit	Surge protection; RC element

Dimensions

Dimensional drawing	
Width	12.7 mm
Height	29 mm
Depth	15.7 mm

Material specifications

Flammability rating according to UL 94	V0 (Housing)
--	--------------

Environmental and real-life conditions

Ambient conditions

Degree of protection	RT III
Ambient temperature (operation)	-25 °C ... 60 °C
Ambient temperature (storage/transport)	-25 °C ... 70 °C

Approvals

Corrosive gas test

Identification	ISA-S71.04. G3 Harsh Group
	EN 60068-2-60

Standards and regulations

Standards/regulations

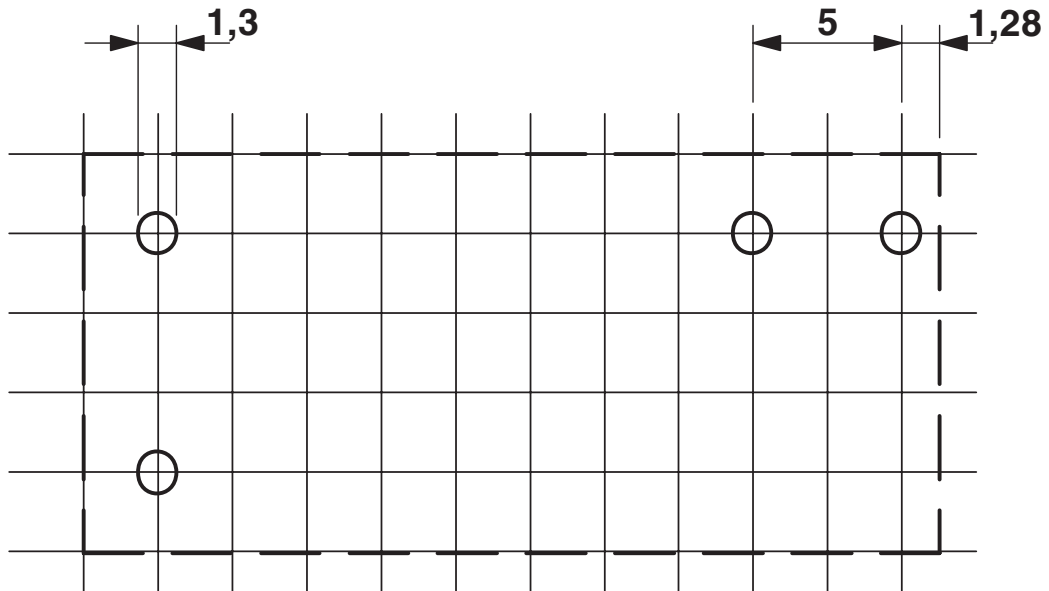
Standards/regulations	IEC 60664
	EN 50178

Mounting

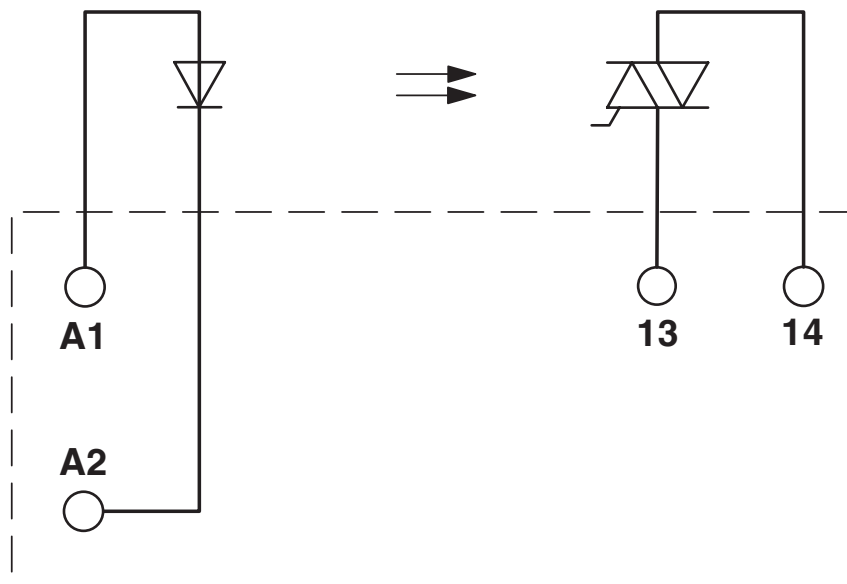
Assembly instructions	See derating curve
Mounting position	any

Drawings

Drilling plan/solder pad geometry



Circuit diagram

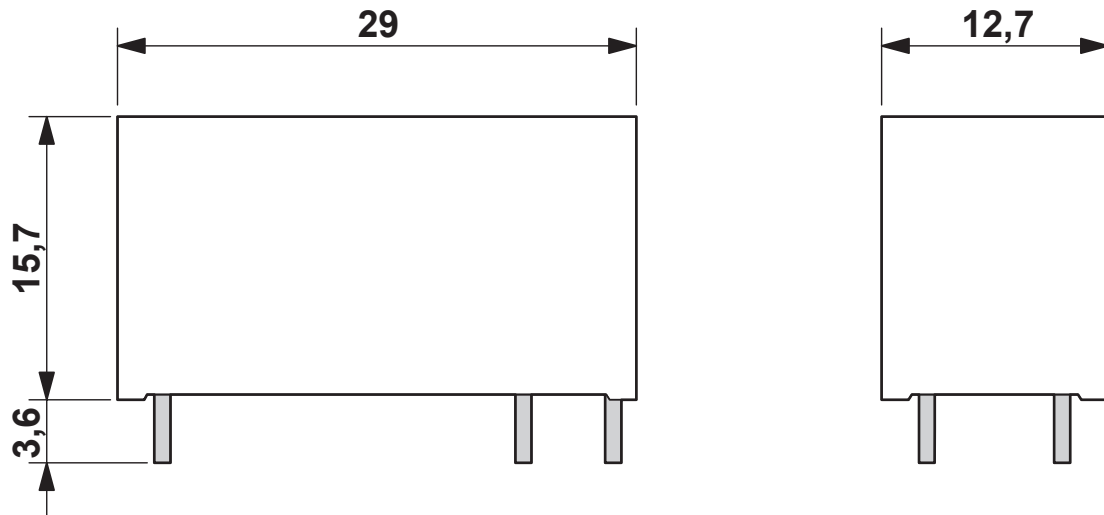


OPT-24DC/230AC/ 2 - Miniature solid-state relay

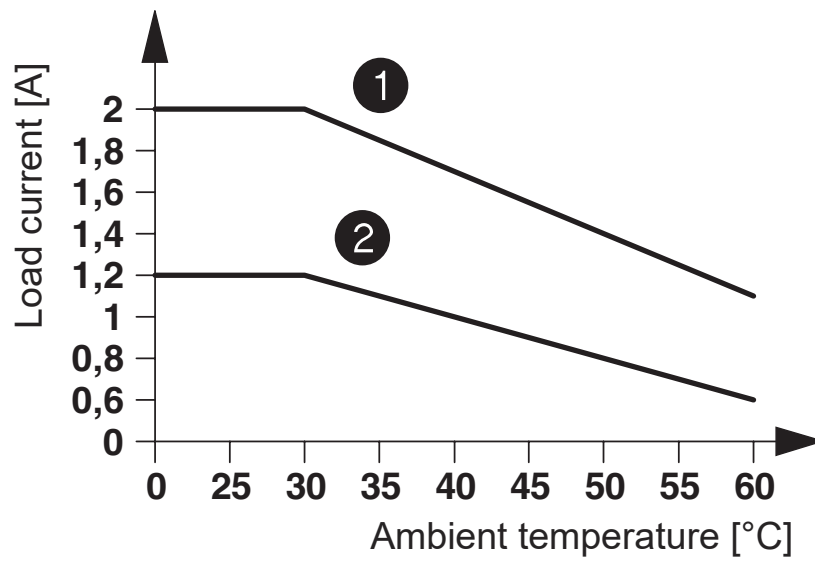
2982171

<https://www.phoenixcontact.com/in/products/2982171>

Dimensional drawing



Diagram



- ① In rows with 10 mm spacing
- ② In rows with zero spacing

OPT-24DC/230AC/ 2 - Miniature solid-state relay



2982171

<https://www.phoenixcontact.com/in/products/2982171>

Approvals



cUL Recognized
Approval ID: FILE E 195083



UL Recognized
Approval ID: FILE E 195083



EAC
Approval ID: TR_TS_D_00573_c



UL Recognized
Approval ID: FILE E 195083



EAC
Approval ID: RU*C-DE.*08.B.00010



cUL Recognized
Approval ID: FILE E 195083

OPT-24DC/230AC/ 2 - Miniature solid-state relay



2982171

<https://www.phoenixcontact.com/in/products/2982171>

Classifications

ECLASS

ECLASS-11.0	27371604
ECLASS-12.0	27371604
ECLASS-13.0	27371604

ETIM

ETIM 8.0	EC001504
----------	----------

UNSPSC

UNSPSC 21.0	39122300
-------------	----------

OPT-24DC/230AC/ 2 - Miniature solid-state relay



2982171

<https://www.phoenixcontact.com/in/products/2982171>

Environmental Product Compliance

China RoHS	Environmentally friendly use period: unlimited = EFUP-e
	No hazardous substances above threshold values

OPT-24DC/230AC/ 2 - Miniature solid-state relay



2982171

<https://www.phoenixcontact.com/in/products/2982171>

Accessories

PLC-BPT- 24DC/21-21 - Relay base

2900283

<https://www.phoenixcontact.com/in/products/2900283>



14 mm PLC basic terminal block with Push-in connection, without relay or solid-state relay, for mounting on DIN rail NS 35/7,5, 2 changeover contacts, input voltage 24 V DC

PLC-BSC- 24DC/21-21 - Relay base

2967015

<https://www.phoenixcontact.com/in/products/2967015>



14 mm PLC basic terminal block with screw connection, without relay or solid-state relay, for mounting on DIN rail NS 35/7,5, 2 changeover contacts, input voltage 24 V DC

OPT-24DC/230AC/ 2 - Miniature solid-state relay

2982171

<https://www.phoenixcontact.com/in/products/2982171>



PLC-BPT- 48DC/21-21 - Relay base

2900285

<https://www.phoenixcontact.com/in/products/2900285>



14 mm PLC basic terminal block with Push-in connection, without relay or solid-state relay, for mounting on DIN rail NS 35/7,5, 2 changeover contacts, input voltage 48 V DC

PLC-BSC- 48DC/21-21 - Relay base

2967264

<https://www.phoenixcontact.com/in/products/2967264>



14 mm PLC basic terminal block with screw connection, without relay or solid-state relay, for mounting on DIN rail NS 35/7,5, 2 changeover contacts, input voltage 48 V DC

OPT-24DC/230AC/ 2 - Miniature solid-state relay

2982171

<https://www.phoenixcontact.com/in/products/2982171>



PLC-BPT- 24DC/21HC - Relay base

2900254

<https://www.phoenixcontact.com/in/products/2900254>



14 mm PLC basic terminal block for high continuous currents with Push-in connection, without relay or solid-state relay, for mounting on DIN rail NS 35/7,5, 1 changeover contact, input voltage 24 V DC

PLC-BSC- 24DC/21HC - Relay base

2967772

<https://www.phoenixcontact.com/in/products/2967772>



14 mm PLC basic terminal block for high continuous currents with screw connection, without relay or solid-state relay, for mounting on DIN rail NS 35/7,5, 1 changeover contact, input voltage 24 V DC

OPT-24DC/230AC/ 2 - Miniature solid-state relay

2982171

<https://www.phoenixcontact.com/in/products/2982171>



PLC-BPIT- 48DC/21HC - Relay base

2900256

<https://www.phoenixcontact.com/in/products/2900256>



14 mm PLC basic terminal block for high continuous currents with Push-in connection, without relay or solid-state relay, for mounting on DIN rail NS 35/7,5, 1 changeover contact, input voltage 48 V DC

PLC-BSC- 48DC/21HC - Relay base

2967798

<https://www.phoenixcontact.com/in/products/2967798>



14 mm PLC basic terminal block for high continuous currents with screw connection, without relay or solid-state relay, for mounting on DIN rail NS 35/7,5, 1 changeover contact, input voltage 48 V DC

OPT-24DC/230AC/ 2 - Miniature solid-state relay



2982171

<https://www.phoenixcontact.com/in/products/2982171>

PLC-BPT- 24DC/ 1IC/ACT - Relay base

2900260

<https://www.phoenixcontact.com/in/products/2900260>



14 mm PLC basic terminal block for high switch-on currents with push-in connection, without relay or solid-state relay, for mounting on DIN rail NS 35/7,5, with load return line connection (BB), 1 N/O contact, input voltage 24 V DC

PLC-BSC- 24DC/ 1IC/ACT - Relay base

2967837

<https://www.phoenixcontact.com/in/products/2967837>



14 mm PLC basic terminal block for high switch-on currents with screw connection, without relay or solid-state relay, for mounting on DIN rail NS 35/7,5, with load return line connection (BB), 1 N/O contact, input voltage 24 V DC

OPT-24DC/230AC/ 2 - Miniature solid-state relay



2982171

<https://www.phoenixcontact.com/in/products/2982171>

RIF-1-BPT/2X21 - Relay base

2900931

<https://www.phoenixcontact.com/in/products/2900931>



Relay base RIF-1..., for miniature power relay with 1 or 2 changeover contacts or solid-state relays of the same design, Push-in connection, plug-in option for input/interference suppression modules, for mounting on NS 35/7,5

RIF-1-BSC/2X21 - Relay base

2900930

<https://www.phoenixcontact.com/in/products/2900930>



RIF-1... relay base, for miniature power relay with 1 or 2 changeover contacts or identical solid-state relays, screw connection, plug-in option for input/interference suppression modules, for mounting on NS 35/7,5

Phoenix Contact 2023 © - all rights reserved
<https://www.phoenixcontact.com>

PHOENIX CONTACT (I) Pvt. Ltd.
A-58/2, Okhla Industrial Area, Phase - II, New Delhi-110 020

+91.1275.71420
info@phoenixcontact.co.in