

PSR-SCP- 24UC/ESL4/3X1/1X2/B - Safety relays



2981059

<https://www.phoenixcontact.com/in/products/2981059>

Please be informed that the data shown in this PDF document is generated from our Online Catalog. Please find the complete data in the user documentation. Our General Terms of Use for Downloads are valid.



Safety relay for emergency stop, safety door, and light grid monitoring up to SIL 3 or Cat. 4, PL e in accordance with EN ISO 13849, single- or two-channel operation, 3 enabling current paths, nominal input voltage: 24 V AC/DC, plug-in screw terminal blocks

Your advantages

- Manually monitored and automatic activation
- Up to Cat. 4/PL e in accordance with ISO 13849-1, SIL 3 in accordance with IEC 62061, SIL 3 in accordance with IEC 61508
- Three enabling and one signaling current path
- 1- and 2-channel control

Commercial Data

Item number	2981059
Packing unit	1 pc
Minimum order quantity	1 pc
Sales Key	DNA
Product Key	DNA123
Catalog Page	Page 231 (C-6-2019)
GTIN	4017918927202
Weight per Piece (including packing)	222.7 g
Weight per Piece (excluding packing)	193.9 g
Customs tariff number	85371098
Country of origin	DE

Technical Data

Product properties

Product type	Safety relays
Product family	PSRclassic
Application	Emergency stop
	Safety door
	Light grid
Mechanical service life	approx. 10^7 cycles
Relay type	Electromechanical relay with force-guided contacts in accordance with IEC/EN 61810-3

Electrical properties

Maximum power dissipation for nominal condition	16.44 W (at $U_S = 26.4$ V, $I_L^2 = 72$ A ² ; $P_{Total\ max} = 2.04$ W + 14.4 W)
Nominal operating mode	100% operating factor

Air clearances and creepage distances between the power circuits

Rated insulation voltage	250 V
Rated surge voltage/insulation	4 kV / basic insulation (safe isolation, reinforced insulation, and 6 kV between A1-A2/logic/enabling and signaling current paths)

Input data

General

Nominal input voltage U_N	24 V AC/DC
Input voltage range in reference to U_N	0.85 ... 1.1
Typical input current at U_N	150 mA AC
	70 mA DC
Voltage at input/start and feedback circuit	approx. 24 V DC
Typical response time	25 ms (manual start)
	100 ms (automatic start)
Typical release time	10 ms
Concurrence	∞
Recovery time	1 s
Protective circuit	Fuse; PTC resistor
	Surge protection; Suppressor diode
Operating voltage display	Green LED
Status display	Green LED

Output data

Contact type	3 enabling current paths
	1 signaling current path
Contact material	AgSnO ₂ , + 0.2 μ m Au
Maximum switching voltage	250 V AC/DC
Minimum switching voltage	15 V AC/DC

PSR-SCP- 24UC/ESL4/3X1/1X2/B - Safety relays



2981059

<https://www.phoenixcontact.com/in/products/2981059>

Limiting continuous current	6 A
Maximum inrush current	6 A
Inrush current, minimum	25 mA
Sq. Total current	$72 \text{ A}^2 (I_{\text{TH}}^2 = I_1^2 + I_2^2 + I_3^2)$
Interrupting rating (ohmic load) max.	144 W (24 V DC, $\tau = 0 \text{ ms}$)
	288 W (48 V DC, $\tau = 0 \text{ ms}$)
	77 W (110 V DC, $\tau = 0 \text{ ms}$)
	88 W (220 V DC, $\tau = 0 \text{ ms}$)
	1500 VA (250 V AC, $\tau = 0 \text{ ms}$)
Maximum interrupting rating (inductive load)	48 W (24 V DC, $\tau = 40 \text{ ms}$)
	40 W (48 V DC, $\tau = 40 \text{ ms}$)
	35 W (110 V DC, $\tau = 40 \text{ ms}$)
	33 W (220 V DC, $\tau = 40 \text{ ms}$)
Switching capacity min.	0.4 W
Switching capacity (360/h cycles)	6 A (24 V DC)
	5 A (230 V AC)
Switching capacity (3600/h cycles)	3 A (24 V (DC13))
	3 A (230 V (AC 15))
Output fuse	10 A gL/gG NEOZED (N/O contact)

Connection data

Connection technology

pluggable	yes
-----------	-----

Conductor connection

Connection method	Screw connection
Conductor cross section rigid	0.2 mm ² ... 2.5 mm ²
Conductor cross section flexible	0.2 mm ² ... 2.5 mm ²
Conductor cross-section AWG	24 ... 12
Stripping length	7 mm
Screw thread	M3

Dimensions

Width	22.5 mm
Height	99 mm
Depth	114.5 mm

Material specifications

Housing material	Polyamide
------------------	-----------

Characteristics

Safety data

Stop category	0
---------------	---

PSR-SCP- 24UC/ESL4/3X1/1X2/B - Safety relays



2981059

<https://www.phoenixcontact.com/in/products/2981059>

Safety data: EN ISO 13849

Category	4
Performance level (PL)	e

Safety data: IEC 61508 - High demand

Designation	Data only applies if the safety function is demanded at least once a year and the signal contact is read back.
Safety Integrity Level (SIL)	3
SFF _{Single-channel}	100 %
SFF _{Two-channel}	96.11 %
Mean time to a dangerous failure (MTTF _D)	205243 Years
Probability of a hazardous failure per hour (PFH _D)	5.56×10^{-10}
Diagnostic coverage (DC)	91.1 %
Proof test interval	240 Months
Duration of use	240 Months

Safety data: IEC 61508 - Low demand

Designation	The data is only valid if the demand rate is no more than once a year.
Safety Integrity Level (SIL)	3
SFF _{Single-channel}	100 %
SFF _{Two-channel}	80.35 %
Mean time to a dangerous failure (MTTF _D)	17913 Years
Probability of a hazardous failure on demand (PFD _{AVG})	1.50×10^{-4}
Diagnostic coverage (DC)	0 %
Proof test interval	75 Months
Duration of use	240 Months

Environmental and real-life conditions

Ambient conditions

Degree of protection	IP20
Min. degree of protection of inst. location	IP54
Ambient temperature (operation)	-20 °C ... 55 °C
Ambient temperature (storage/transport)	-40 °C ... 70 °C
Maximum altitude	≤ 2000 m (Above sea level)
Max. permissible humidity (storage/transport)	75 % (on average, 85% infrequently, non-condensing)
Max. permissible relative humidity (operation)	75 % (on average, 85% infrequently, non-condensing)
Shock	15g
Vibration (operation)	10 Hz ... 150 Hz, 2g

Standards and regulations

Air clearances and creepage distances between the power circuits

Standards/regulations	DIN EN 50178/VDE 0160
-----------------------	-----------------------

PSR-SCP- 24UC/ESL4/3X1/1X2/B - Safety relays



2981059

<https://www.phoenixcontact.com/in/products/2981059>

Mounting

Mounting type	DIN rail mounting
Mounting position	any
Connection method	Screw connection

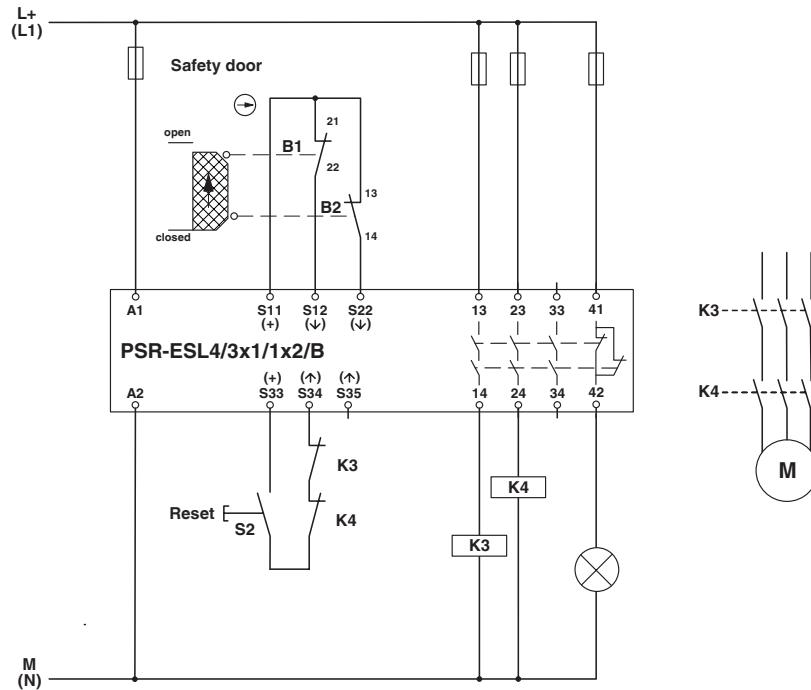
PSR-SCP- 24UC/ESL4/3X1/1X2/B - Safety relays

2981059

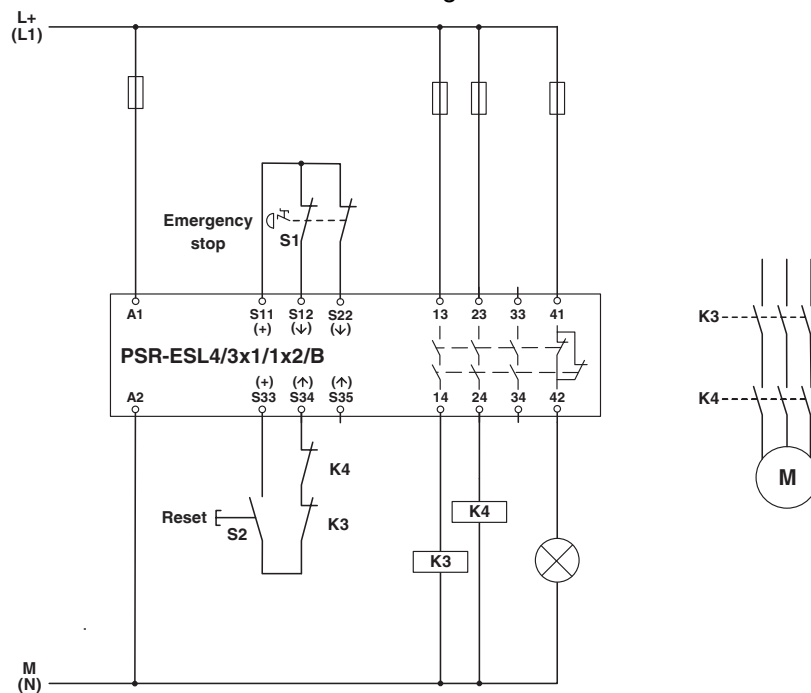
<https://www.phoenixcontact.com/in/products/2981059>

Drawings

Circuit diagram



Circuit diagram

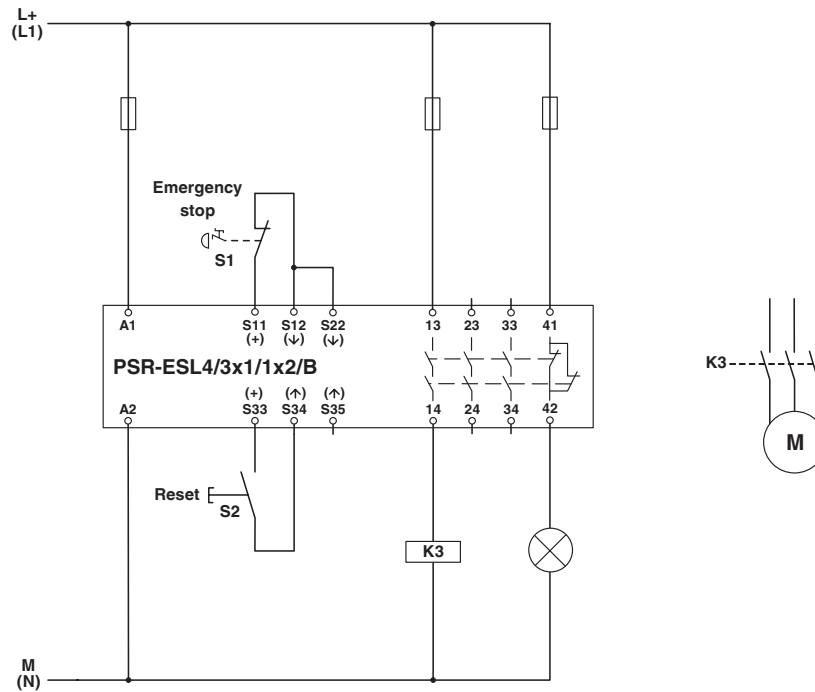


PSR-SCP- 24UC/ESL4/3X1/1X2/B - Safety relays

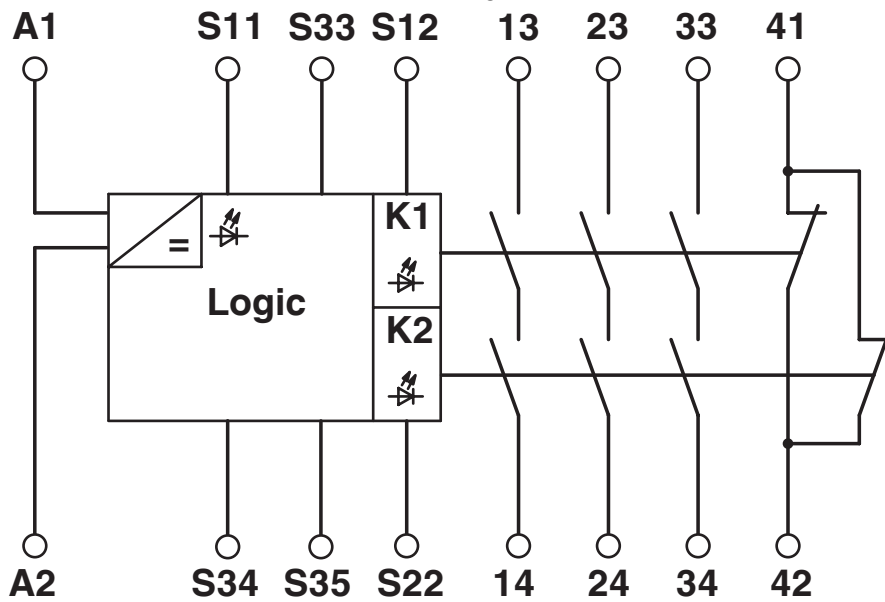
2981059

<https://www.phoenixcontact.com/in/products/2981059>

Circuit diagram



Circuit diagram



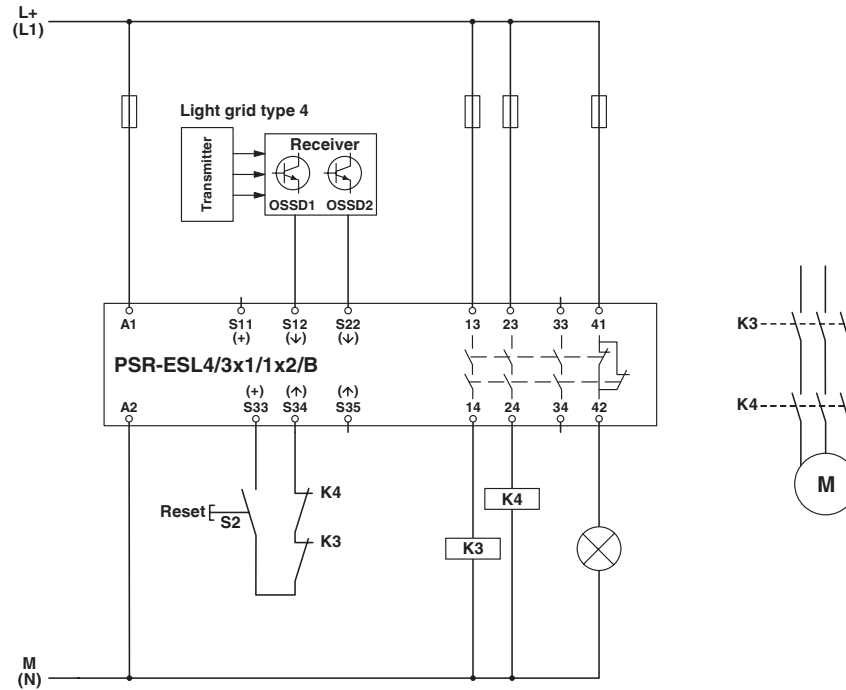
PSR-SCP- 24UC/ESL4/3X1/1X2/B - Safety relays



2981059

<https://www.phoenixcontact.com/in/products/2981059>

Circuit diagram



PSR-SCP- 24UC/ESL4/3X1/1X2/B - Safety relays



2981059

<https://www.phoenixcontact.com/in/products/2981059>

Approvals



EAC

Approval ID: TR_TS_D_00573_c



UL Listed

Approval ID: FILE E 140324



cUL Listed

Approval ID: FILE E 140324

2981059

<https://www.phoenixcontact.com/in/products/2981059>

Classifications

ECLASS

ECLASS-11.0	27371819
ECLASS-13.0	27371819
ECLASS-12.0	27371819

ETIM

ETIM 8.0	EC001449
----------	----------

UNSPSC

UNSPSC 21.0	39122200
-------------	----------

PSR-SCP- 24UC/ESL4/3X1/1X2/B - Safety relays



2981059

<https://www.phoenixcontact.com/in/products/2981059>

Environmental Product Compliance

REACH SVHC	Lead 7439-92-1
China RoHS	Environmentally Friendly Use Period = 50 years
	For information on hazardous substances, refer to the manufacturer's declaration available under "Downloads"

Phoenix Contact 2023 © - all rights reserved

<https://www.phoenixcontact.com>

PHOENIX CONTACT (I) Pvt. Ltd.

A-58/2, Okhla Industrial Area, Phase - II, New Delhi-110 020

+91.1275.71420

info@phoenixcontact.co.in