

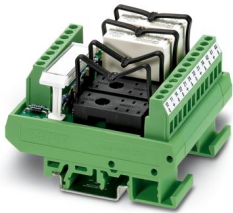
UMK- 4 RM 5DC - Multiple relay module



2972819

<https://www.phoenixcontact.com/in/products/2972819>

Please be informed that the data shown in this PDF document is generated from our online catalog. Please find the complete data in the user documentation. Our general terms of use for downloads are valid.



VARIOFACE module, for 4 plug-in miniature relays or miniature optocouplers, with LED, 5 V DC input voltage

Commercial data

Item number	2972819
Packing unit	1 pc
Minimum order quantity	1 pc
Note	Made to order (non-returnable)
Sales key	CK6
Product key	CK6164
Catalog page	Page 550 (C-7-2013)
GTIN	4017918088774
Weight per piece (including packing)	163 g
Weight per piece (excluding packing)	163 g
Customs tariff number	85364190
Country of origin	DE

UMK- 4 RM 5DC - Multiple relay module



2972819

<https://www.phoenixcontact.com/in/products/2972819>

Technical data

Notes

Utilization restriction

EMC note	EMC: class A product, see manufacturer's declaration in the download area
----------	---

Product properties

Product type	Multi-channel relay module
No. of channels	4
Compatible components	Miniature relays or miniature optocouplers
With components	no

Insulation characteristics

Overvoltage category	III
Pollution degree	2

Electrical properties

Rated insulation voltage	260 V AC
Rated surge voltage	4 kV (Basic insulation between output contact current paths) 6 kV (Safe isolation and reinforced insulation between input circuit and output contact paths)

Input data

Nominal input voltage U_N	5 V DC $\pm 10\%$
Protective circuit	Freewheeling diode; Freewheeling diode Reverse polarity protection; Polarity protection diode
Operating voltage display	Yellow LED
Status display/channel	Yellow LED

Output data

Compatible components	Miniature relays or miniature optocouplers
-----------------------	--

Switching

Contact switching type	1 changeover contact
Maximum switching voltage	250 V AC/DC
Limiting continuous current	5 A
Error detection (line break / short-circuit)	no

Connection data

Input

Connection method	Screw connection
Stripping length	8 mm
Screw thread	M3

UMK- 4 RM 5DC - Multiple relay module



2972819

<https://www.phoenixcontact.com/in/products/2972819>

Number of connections	2
Number of positions	8
Conductor cross section rigid	0.2 mm ² ... 4 mm ²
Conductor cross section flexible	0.2 mm ² ... 2.5 mm ²
Conductor cross section AWG	24 ... 12

Output

Connection method	Screw connection
Stripping length	8 mm
Screw thread	M3
Number of connections	12
Number of positions	3
Conductor cross section rigid	0.2 mm ² ... 4 mm ²
Conductor cross section flexible	0.2 mm ² ... 2.5 mm ²
Conductor cross section AWG	24 ... 12

Signaling

Status display present	Yes
------------------------	-----

Dimensions

Width	67.5 mm
Height	77 mm
Depth	59 mm

Material specifications

Color	green (RAL 6021)
-------	------------------

Environmental and real-life conditions

Ambient conditions

Degree of protection	IP00
Ambient temperature (operation)	-20 °C ... 50 °C
Ambient temperature (storage/transport)	-20 °C ... 70 °C

Standards and regulations

Standards/regulations	DIN EN 50178
	IEC 60664

Mounting

Mounting type	DIN rail mounting
Mounting position	any

UMK- 4 RM 5DC - Multiple relay module

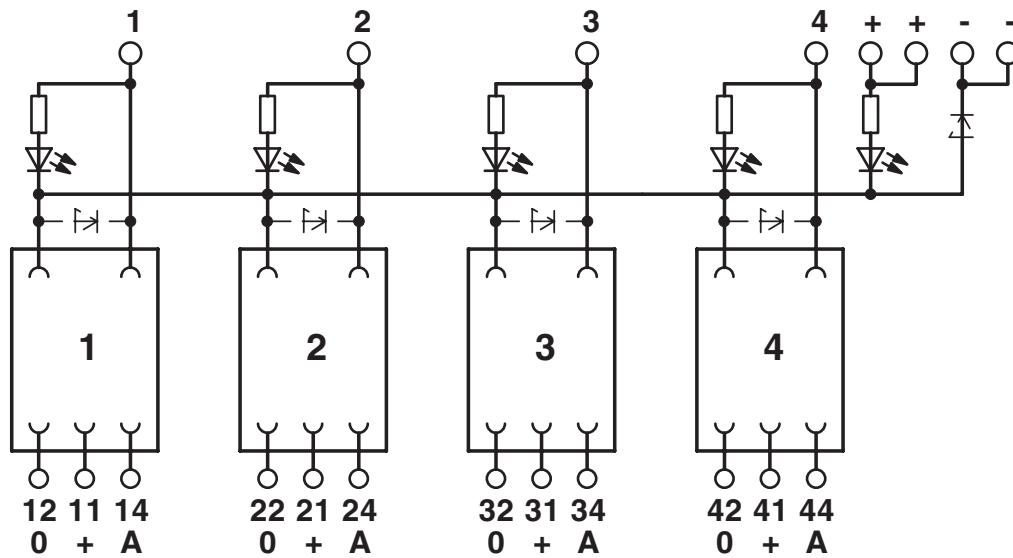


2972819

<https://www.phoenixcontact.com/in/products/2972819>

Drawings

Circuit diagram



UMK- 4 RM 5DC - Multiple relay module



2972819

<https://www.phoenixcontact.com/in/products/2972819>

Environmental product compliance

China RoHS

Environment friendly use period (EFUP)	EFUP-50
	An article-related China RoHS declaration table can be found in the download area for the respective article under "Manufacturer declaration". For all articles with EFUP-E, no China RoHS declaration table issued and required.

EU REACH SVHC

REACH candidate substance (CAS No.)	No substance above 0.1 wt%
-------------------------------------	----------------------------

Phoenix Contact 2024 © - all rights reserved

<https://www.phoenixcontact.com>

PHOENIX CONTACT (I) Pvt. Ltd.

A-58/2, Okhla Industrial Area, Phase - II, New Delhi-110 020

+91.1275.71420

info@phoenixcontact.co.in