

OPT-24DC/ 24DC/ 2 - Miniature solid-state relay



2966595

<https://www.phoenixcontact.com/in/products/2966595>

Please be informed that the data shown in this PDF document is generated from our Online Catalog. Please find the complete data in the user documentation. Our General Terms of Use for Downloads are valid.



Plug-in miniature solid-state relay, power solid-state relay, 1 N/O contact, input: 24 V DC, output: 3 ... 33 V DC/3 A

Your advantages

- Vibration and shock resistant
- RT III-proof (wash-proof)
- Wear-free and durable
- Can be soldered on PCB
- Switching capacity of up to 24 V DC/3 A

Commercial Data

| | |
|--------------------------------------|---------------------|
| Item number | 2966595 |
| Packing unit | 10 pc |
| Minimum order quantity | 10 pc |
| Sales Key | CK6 |
| Product Key | CK61F2 |
| Catalog Page | Page 286 (C-5-2019) |
| GTIN | 4017918130947 |
| Weight per Piece (including packing) | 5.26 g |
| Weight per Piece (excluding packing) | 5.2 g |
| Customs tariff number | 85364190 |
| Country of origin | HU |

OPT-24DC/ 24DC/ 2 - Miniature solid-state relay



2966595

<https://www.phoenixcontact.com/in/products/2966595>

Technical Data

Product properties

| | |
|----------------|-------------------------------|
| Product type | Single solid-state relay |
| Set comprises | 2905293 RIF-0-OPT-24DC/24DC/2 |
| | 2905657 RIF-0-OSC-24DC/24DC/2 |
| Operating mode | 100% operating factor |

Insulation characteristics

| | |
|------------|------------------|
| Insulation | Basic insulation |
|------------|------------------|

Insulation characteristics: Standards/regulations

| | |
|----------------------|------------------|
| Insulation | Basic insulation |
| Overvoltage category | III |
| Pollution degree | 2 |

Electrical properties

| | |
|---|--------------------------------------|
| Maximum power dissipation for nominal condition | 0.17 W |
| Test voltage (Input/output) | 2.5 kV (50 Hz, 1 min., input/output) |

Input data

| | |
|---|-------------------------|
| Nominal input voltage U_N | 24 V DC |
| Input voltage range in reference to U_N | 0.8 ... 1.2 |
| Input voltage range | 19.2 V DC ... 28.8 V DC |
| Switching threshold "0" signal, voltage | ≤ 10 V |
| Switching threshold "1" signal voltage | ≥ 16 V |
| Typical input current at U_N | 7 mA |
| Typical response time | 20 μ s (at U_N) |
| Typical turn-off time | 300 μ s (at U_N) |
| Transmission frequency | 300 Hz |

Output data

| | |
|--|-----------------------------|
| Contact type | 1 N/O contact |
| Design of digital output | electronic |
| Output voltage range | 3 V DC ... 33 V DC |
| Limiting continuous current | 3 A (see derating curve) |
| Maximum inrush current | 15 A (10 ms) |
| Voltage drop at max. limiting continuous current | ≤ 150 mV |
| Output circuit | 2-conductor, floating |
| Protective circuit | Reverse polarity protection |
| | Surge protection |

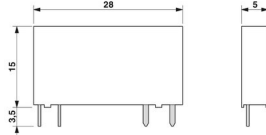
Dimensions

OPT-24DC/ 24DC/ 2 - Miniature solid-state relay



2966595

<https://www.phoenixcontact.com/in/products/2966595>

| | |
|---------------------|--|
| Dimensional drawing |  |
| Width | 5 mm |
| Height | 28 mm |
| Depth | 15 mm |

Environmental and real-life conditions

Ambient conditions

| | |
|---|------------------|
| Degree of protection | RT III |
| Ambient temperature (operation) | -25 °C ... 60 °C |
| Ambient temperature (storage/transport) | -25 °C ... 70 °C |

Approvals

Corrosive gas test

| | |
|----------------|----------------------------|
| Identification | ISA-S71.04. G3 Harsh Group |
| | EN 60068-2-60 |

Standards and regulations

Standards/regulations

| | |
|-----------------------|-----------|
| Standards/regulations | IEC 60664 |
| | EN 50178 |

Mounting

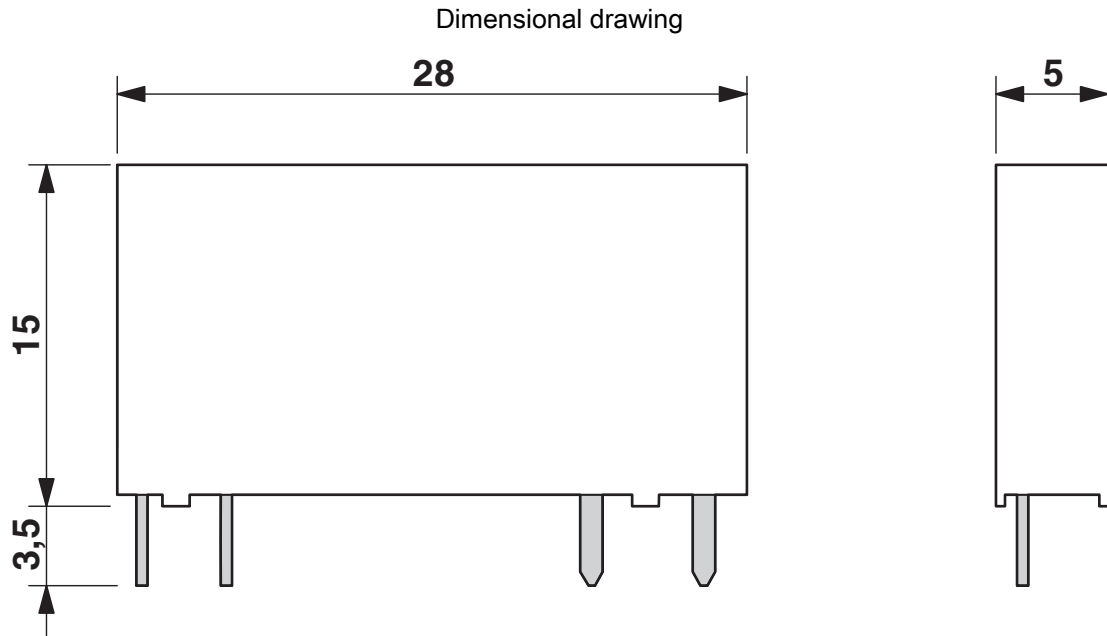
| | |
|-----------------------|---------------------------|
| Assembly instructions | in rows with zero spacing |
| Mounting position | any |

OPT-24DC/ 24DC/ 2 - Miniature solid-state relay

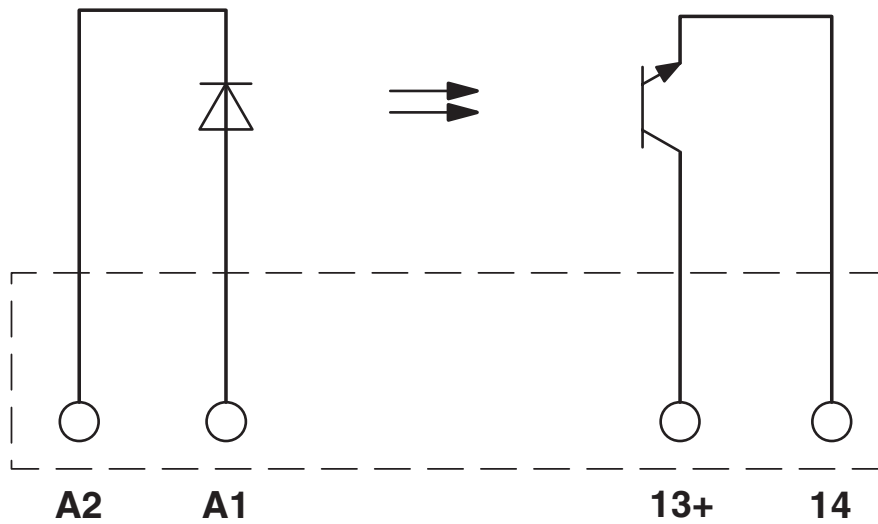
2966595

<https://www.phoenixcontact.com/in/products/2966595>

Drawings



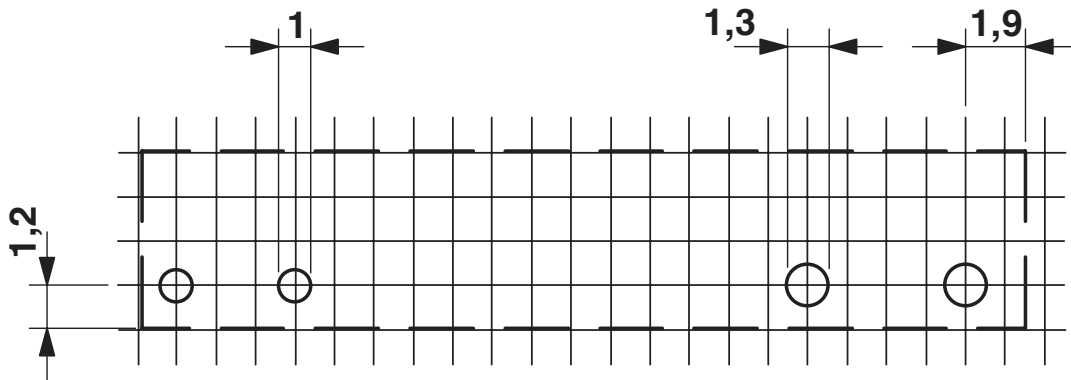
Circuit diagram



2966595

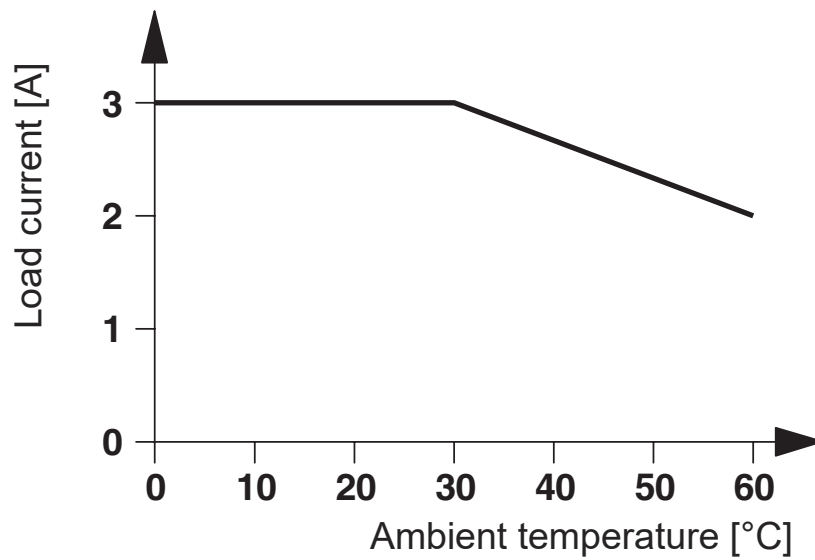
<https://www.phoenixcontact.com/in/products/2966595>

Drilling plan/solder pad geometry



a = pitch division 1.25 mm and 1.27 mm

Diagram



OPT-24DC/ 24DC/ 2 - Miniature solid-state relay



2966595

<https://www.phoenixcontact.com/in/products/2966595>

Approvals



cUL Recognized
Approval ID: FILE E 195083



UL Recognized
Approval ID: FILE E 195083



EAC
Approval ID: TR_TS_D_00573_c



UL Recognized
Approval ID: FILE E 195083



PRS
Approval ID: TE/2109/880590/16



cUL Recognized
Approval ID: FILE E 195083



GL
Approval ID: 46016-03 HH

OPT-24DC/ 24DC/ 2 - Miniature solid-state relay



2966595

<https://www.phoenixcontact.com/in/products/2966595>

Classifications

ECLASS

| | |
|-------------|----------|
| ECLASS-11.0 | 27371604 |
| ECLASS-12.0 | 27371604 |
| ECLASS-13.0 | 27371604 |

ETIM

| | |
|----------|----------|
| ETIM 8.0 | EC001504 |
|----------|----------|

UNSPSC

| | |
|-------------|----------|
| UNSPSC 21.0 | 39122300 |
|-------------|----------|

OPT-24DC/ 24DC/ 2 - Miniature solid-state relay



2966595

<https://www.phoenixcontact.com/in/products/2966595>

Environmental Product Compliance

| | |
|------------|---|
| China RoHS | Environmentally friendly use period: unlimited = EFUP-e |
| | No hazardous substances above threshold values |

OPT-24DC/ 24DC/ 2 - Miniature solid-state relay



2966595

<https://www.phoenixcontact.com/in/products/2966595>

Accessories

PLC-BPT- 24DC/21 - Relay base

2900445

<https://www.phoenixcontact.com/in/products/2900445>



6.2 mm PLC basic terminal block with Push-in connection, without relay or solid-state relay, for mounting on DIN rail NS 35/7,5, 1 changeover contact, input voltage 24 V DC

PLC-BSC- 24DC/21 - Relay base

2966016

<https://www.phoenixcontact.com/in/products/2966016>



6.2 mm PLC basic terminal block with screw connection, without relay or solid-state relay, for mounting on DIN rail NS 35/7,5, 1 changeover contact, input voltage 24 V DC

OPT-24DC/ 24DC/ 2 - Miniature solid-state relay



2966595

<https://www.phoenixcontact.com/in/products/2966595>

PLC-BPIT- 48DC/21 - Relay base

2900447

<https://www.phoenixcontact.com/in/products/2900447>



6.2 mm PLC basic terminal block with Push-in connection, without relay or solid-state relay, for mounting on DIN rail NS 35/7,5, 1 changeover contact, input voltage 48 V DC

PLC-BSC- 48DC/21 - Relay base

2966090

<https://www.phoenixcontact.com/in/products/2966090>



6.2 mm PLC basic terminal block with screw connection, without relay or solid-state relay, for mounting on DIN rail NS 35/7,5, 1 changeover contact, input voltage 48 V DC

OPT-24DC/ 24DC/ 2 - Miniature solid-state relay

2966595

<https://www.phoenixcontact.com/in/products/2966595>

PLC-BPT- 24DC/ 1/SEN - Relay base

2900262

<https://www.phoenixcontact.com/in/products/2900262>



6.2 mm PLC basic terminal block for input functions with push-in connection, without relay or solid-state relay, for mounting on DIN rail NS 35/7,5, with sensor supply voltage distribution (BB), 1 N/O contact, input voltage 24 V DC

PLC-BSC- 24DC/ 1/SEN - Relay base

2966061

<https://www.phoenixcontact.com/in/products/2966061>



6.2 mm PLC basic terminal block for input functions with screw connection, without relay or solid-state relay, for mounting on DIN rail NS 35/7,5, with sensor supply voltage distribution (BB), 1 N/O contact, input voltage 24 V DC

OPT-24DC/ 24DC/ 2 - Miniature solid-state relay



2966595

<https://www.phoenixcontact.com/in/products/2966595>

PLC-BPT- 24DC/ 1/ACT - Relay base

2900449

<https://www.phoenixcontact.com/in/products/2900449>



6.2 mm PLC basic terminal block for output functions with push-in connection, without relay or solid-state relay, for mounting on DIN rail NS 35/7,5, with load return line connection (BB), 1 N/O contact, input voltage 24 V DC

PLC-BSC- 24DC/ 1/ACT - Relay base

2966058

<https://www.phoenixcontact.com/in/products/2966058>



6.2 mm PLC basic terminal block for output functions with screw connection, without relay or solid-state relay, for mounting on DIN rail NS 35/7,5, with load return line connection (BB), 1 N/O contact, input voltage 24 V DC

OPT-24DC/ 24DC/ 2 - Miniature solid-state relay

2966595

<https://www.phoenixcontact.com/in/products/2966595>

PLC-BPT- 24UC/ 1/ACT - Relay base

2900450

<https://www.phoenixcontact.com/in/products/2900450>



6.2 mm PLC basic terminal block for output functions with push-in connection, without relay or solid-state relay, for mounting on DIN rail NS 35/7,5, with load return line connection (BB), 1 N/O contact, input voltage 24 V AC/DC

PLC-BSC- 24UC/ 1/ACT - Relay base

2982799

<https://www.phoenixcontact.com/in/products/2982799>



6.2 mm PLC basic terminal block for output functions with screw connection, without relay or solid-state relay, for mounting on DIN rail NS 35/7,5, with load return line connection (BB), 1 N/O contact, input voltage 24 V AC/DC

OPT-24DC/ 24DC/ 2 - Miniature solid-state relay



2966595

<https://www.phoenixcontact.com/in/products/2966595>

PLC-BSC- 24DC/21/SO46 - Relay base

2980458

<https://www.phoenixcontact.com/in/products/2980458>

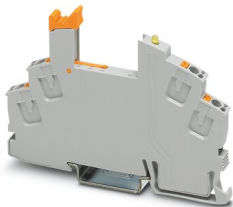


6.2 mm PLC basic terminal block with protection against interference currents/voltages on the control side, with screw connection, without relay or solid-state relay, for mounting on DIN rail NS 35/7,5, with increased input current consumption, 1 changeover contact, input voltage 24 V DC

RIF-0-BPT/1 - Relay base

2901873

<https://www.phoenixcontact.com/in/products/2901873>



RIF-0... relay base, for miniature power relay with 1 N/O contact or solid-state relays of the same design, push-in connection, for mounting on NS 35/7,5

OPT-24DC/ 24DC/ 2 - Miniature solid-state relay



2966595

<https://www.phoenixcontact.com/in/products/2966595>

RIF-0-BSC/ 1 - Relay base

2901872

<https://www.phoenixcontact.com/in/products/2901872>



RIF-0... relay base, for miniature power relay with 1 N/O contact or identical solid-state relays, screw connection, for mounting on NS 35/7,5

Phoenix Contact 2023 © - all rights reserved

<https://www.phoenixcontact.com>

PHOENIX CONTACT (I) Pvt. Ltd.

A-58/2, Okhla Industrial Area, Phase - II, New Delhi-110 020

+91.1275.71420

info@phoenixcontact.co.in