

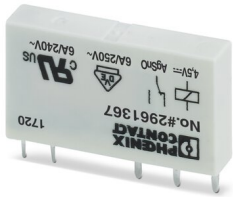
REL-MR- 4,5DC/21 - Single relay

2961367

<https://www.phoenixcontact.com/in/products/2961367>

Please be informed that the data shown in this PDF document is generated from our Online Catalog. Please find the complete data in the user documentation. Our General Terms of Use for Downloads are valid.

Plug-in miniature power relay, with power contact, 1 changeover contact, input voltage 4.5 V DC



Your advantages

- Safe isolation according to DIN EN 50178 between coil and contact
- High degree of protection up to RT III depending on type (wash-proof)
- Power contacts up to 6 A

Commercial Data

Item number	2961367
Packing unit	10 pc
Minimum order quantity	10 pc
Sales Key	CK6
Product Key	CK6195
Catalog Page	Page 394 (C-5-2019)
GTIN	4017918730840
Weight per Piece (including packing)	6.58 g
Weight per Piece (excluding packing)	6.37 g
Customs tariff number	85364900
Country of origin	CZ

REL-MR- 4,5DC/21 - Single relay



2961367

<https://www.phoenixcontact.com/in/products/2961367>

Technical Data

Product properties

Product type	Single relay
Operating mode	100% operating factor
Mechanical service life	2x 10 ⁷ cycles

Insulation characteristics

Overvoltage category	III
Pollution degree	3

Electrical properties

Maximum power dissipation for nominal condition	0.17 W
Test voltage (Winding/contact)	4 kV AC (50 Hz, 1 min., winding/contact)

Input data

Coil side

Nominal input voltage U _N	4.5 V DC
Input voltage range	2.7 V DC ... 12.4 V DC
Input voltage range in reference to U _N	see diagram
Typical input current at U _N	38 mA
Typical response time	5 ms
Typical release time	2.5 ms
Coil resistance	119 Ω ±10 % (at 20 °C)

Output data

Switching

Contact type	1 changeover contact
Type of switch contact	Single contact
Drive and function	monostable
Drive (polarity)	bipolar
Contact material	AgSnO
Maximum switching voltage	250 V AC/DC
Minimum switching voltage	5 V (at 100 mA)
Limiting continuous current	6 A
Maximum inrush current	10 A (4 s)
Min. switching current	10 mA (at 12 V)
Interrupting rating (ohmic load) max.	140 W (at 24 V DC)
	20 W (at 48 V DC)
	18 W (at 60 V DC)
	23 W (at 110 V DC)
	40 W (at 220 V DC)
	1500 VA (for 250 V AC)

REL-MR- 4,5DC/21 - Single relay

2961367

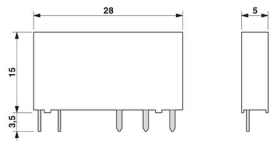
<https://www.phoenixcontact.com/in/products/2961367>

Switching capacity	2 A (at 24 V, DC13)
	0.2 A (at 110 V, DC13)
	0.1 A (at 220 V, DC13)
	3 A (at 24 V, AC15)
	3 A (at 120 V, AC15)
	3 A (at 230 V, AC15)
Motor load according to UL 508	1/4 HP, 240 - 277 V AC (N/O contact)
	1/6 HP, 240 - 277 V AC (N/C contact)

Connection data

Connection method	Plug / solder connection
-------------------	--------------------------

Dimensions

Dimensional drawing	
Width	5 mm
Height	28 mm
Depth	15 mm

Environmental and real-life conditions

Ambient conditions

Degree of protection	RT III
Ambient temperature (operation)	-40 °C ... 85 °C
Ambient temperature (storage/transport)	-40 °C ... 85 °C

Approvals

Corrosive gas test

Identification	ISA-S71.04. G3 Harsh Group
	EN 60068-2-60

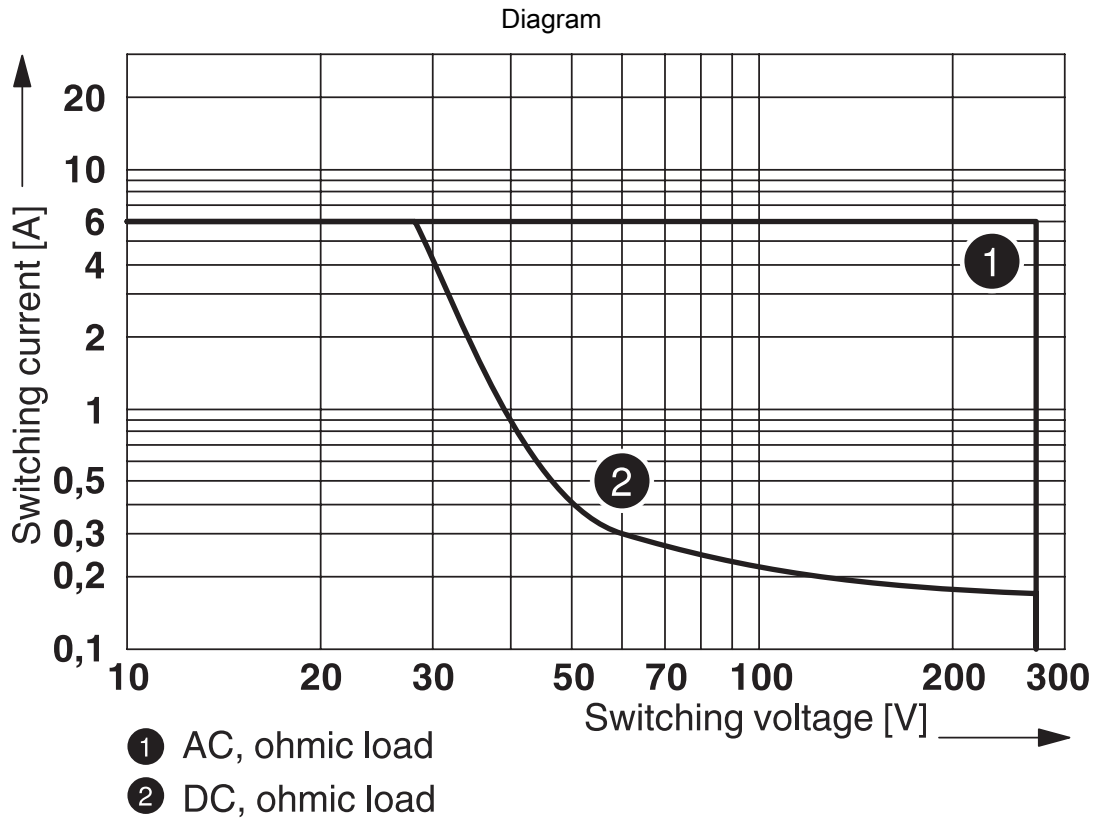
Standards and regulations

Standards/regulations	IEC 60664
	EN 50178
	EN 61810-1

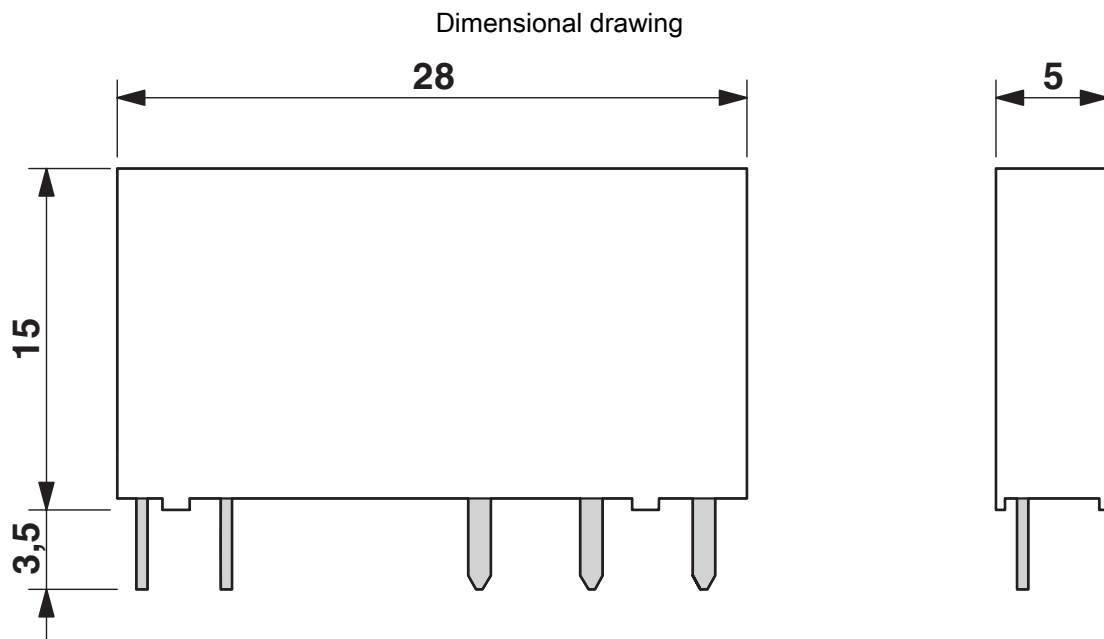
Mounting

Assembly instructions	in rows with zero spacing
Mounting position	any

Drawings



Interrupting rating



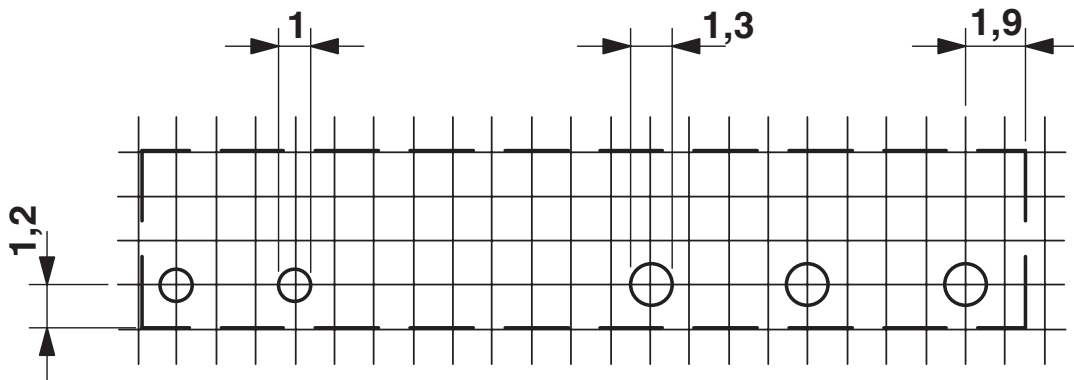
REL-MR- 4,5DC/21 - Single relay



2961367

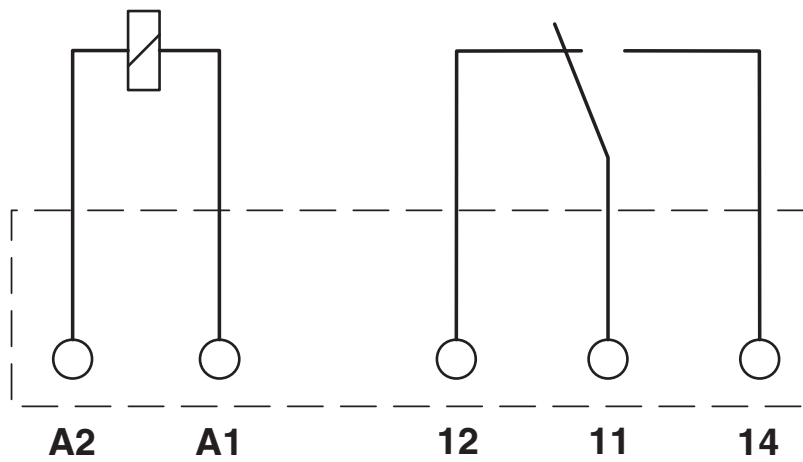
<https://www.phoenixcontact.com/in/products/2961367>

Drilling plan/solder pad geometry



a = pitch division 1.25 mm and 1.27 mm

Circuit diagram



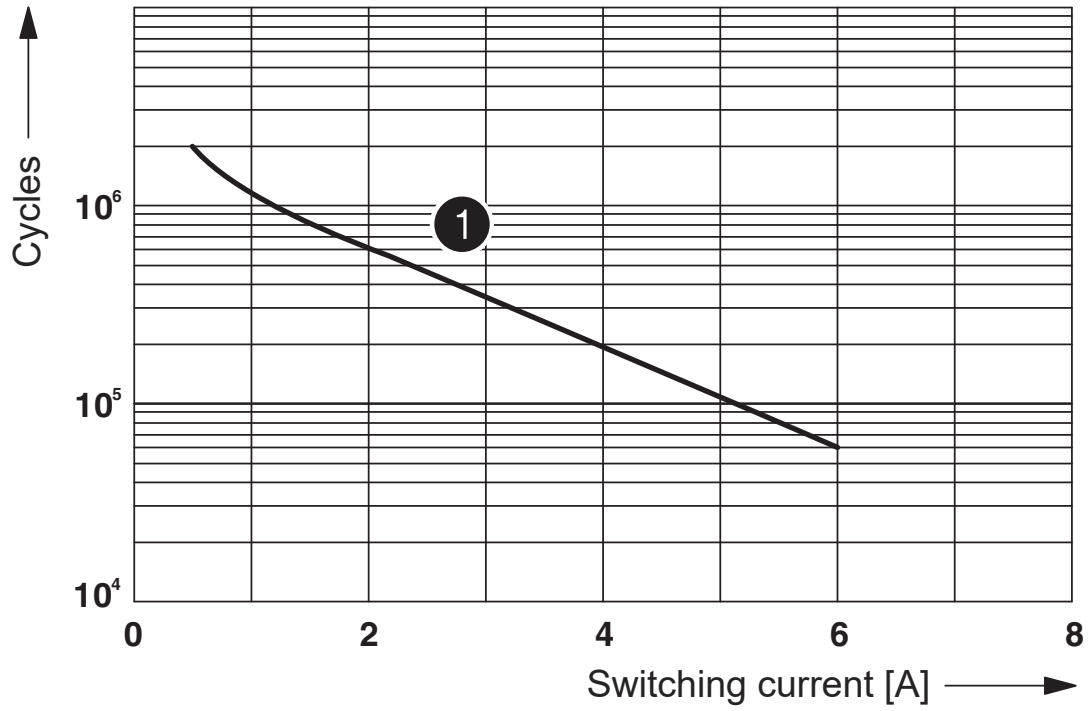
REL-MR- 4,5DC/21 - Single relay



2961367

<https://www.phoenixcontact.com/in/products/2961367>

Diagram



① 250 V AC, ohmic load

Electrical service life

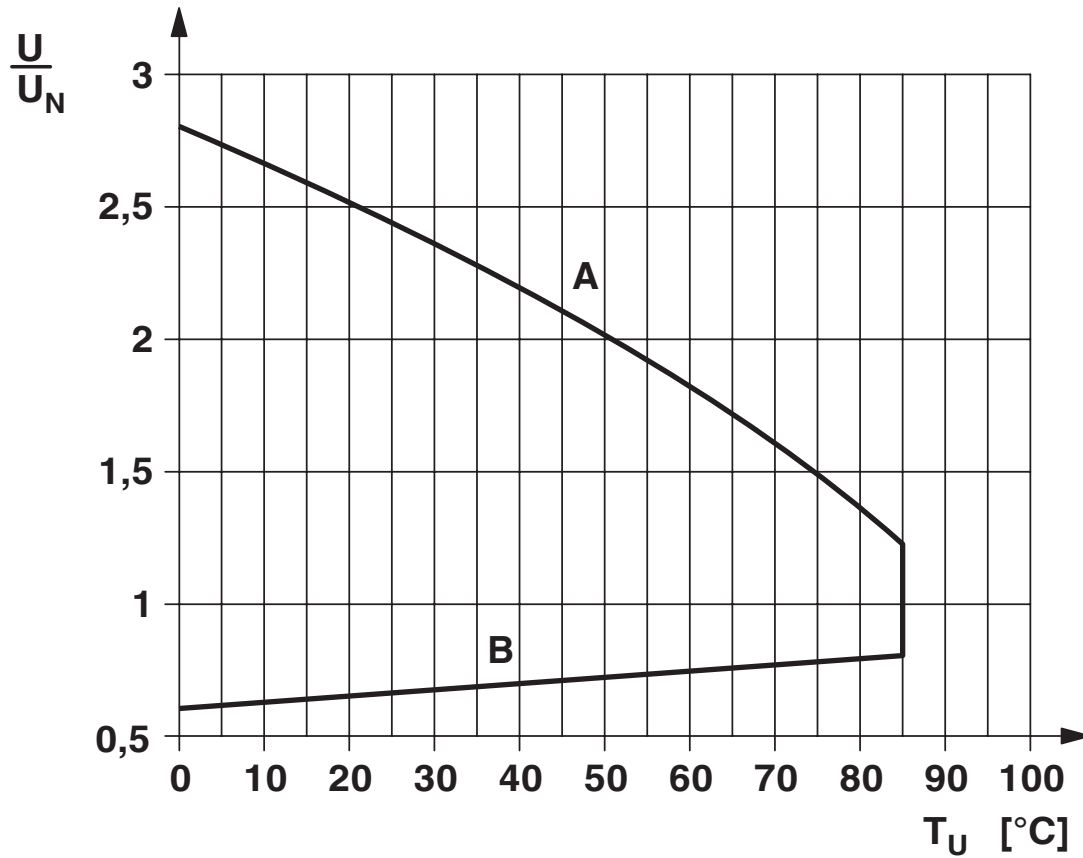
REL-MR- 4,5DC/21 - Single relay



2961367

<https://www.phoenixcontact.com/in/products/2961367>

Diagram



Operating voltage range

REL-MR- 4,5DC/21 - Single relay



2961367

<https://www.phoenixcontact.com/in/products/2961367>

Approvals



cUL Recognized
Approval ID: FILE E 172140



UL Recognized
Approval ID: FILE E 172140



EAC
Approval ID: TR_TS_D_00573_c



UL Recognized
Approval ID: FILE E 172140



EAC
Approval ID: RU*C-DE.*08.B.00010



VDE Zeichengenehmigung
Approval ID: 40010212



VDE Zeichengenehmigung
Approval ID: 40032864



PRS
Approval ID: TE/2109/880590/16



cUL Recognized
Approval ID: FILE E 172140



VDE Zeichengenehmigung
Approval ID: 40054426



cUL Recognized
Approval ID: FILE E 172140



UL Recognized
Approval ID: FILE E 172140

REL-MR- 4,5DC/21 - Single relay

2961367

<https://www.phoenixcontact.com/in/products/2961367>



REL-MR- 4,5DC/21 - Single relay



2961367

<https://www.phoenixcontact.com/in/products/2961367>

Classifications

ECLASS

ECLASS-11.0	27371601
ECLASS-12.0	27371601
ECLASS-13.0	27371601

ETIM

ETIM 8.0	EC001437
----------	----------

UNSPSC

UNSPSC 21.0	39122300
-------------	----------

REL-MR- 4,5DC/21 - Single relay



2961367

<https://www.phoenixcontact.com/in/products/2961367>

Environmental Product Compliance

China RoHS	Environmentally friendly use period: unlimited = EFUP-e
	No hazardous substances above threshold values

REL-MR- 4,5DC/21 - Single relay

2961367

<https://www.phoenixcontact.com/in/products/2961367>



Accessories

PLC-BSC- 5DC/21 - Relay base

2980225

<https://www.phoenixcontact.com/in/products/2980225>



6.2 mm PLC basic terminal block with screw connection, without relay or solid-state relay, for mounting on DIN rail NS 35/7,5, 1 changeover contact, input voltage 5 V DC

PLC-BSC- 5DC/ 1/ACT - Relay base

2980241

<https://www.phoenixcontact.com/in/products/2980241>



6.2 mm PLC basic terminal block for output functions with screw connection, without relay or solid-state relay, for mounting on DIN rail NS 35/7,5, with load return line connection (BB), 1 N/O contact, input voltage 5 V DC

REL-MR- 4,5DC/21 - Single relay

2961367

<https://www.phoenixcontact.com/in/products/2961367>



PLC-BPT- 5DC/21 - Relay base

2900443

<https://www.phoenixcontact.com/in/products/2900443>



6.2 mm PLC basic terminal block with Push-in connection, without relay or solid-state relay, for mounting on DIN rail NS 35/7,5, 1 changeover contact, input voltage 5 V DC

PLC-BSC- 5DC/ 1/SEN - Relay base

2980267

<https://www.phoenixcontact.com/in/products/2980267>



6.2 mm PLC basic terminal block for output functions with screw connection, without relay or solid-state relay, for mounting on DIN rail NS 35/7,5, with load return line connection (BB), 1 N/O contact, input voltage 5 V DC

REL-MR- 4,5DC/21 - Single relay

2961367

<https://www.phoenixcontact.com/in/products/2961367>



PLC-BPT- 5DC/ 1/ACT - Relay base

2900448

<https://www.phoenixcontact.com/in/products/2900448>



6.2 mm PLC basic terminal block for output functions with push-in connection, without relay or solid-state relay, for mounting on DIN rail NS 35/7,5, with load return line connection (BB), 1 N/O contact, input voltage 5 V DC

Phoenix Contact 2023 © - all rights reserved

<https://www.phoenixcontact.com>

PHOENIX CONTACT (I) Pvt. Ltd.

A-58/2, Okhla Industrial Area, Phase - II, New Delhi-110 020

+91.1275.71420

info@phoenixcontact.co.in